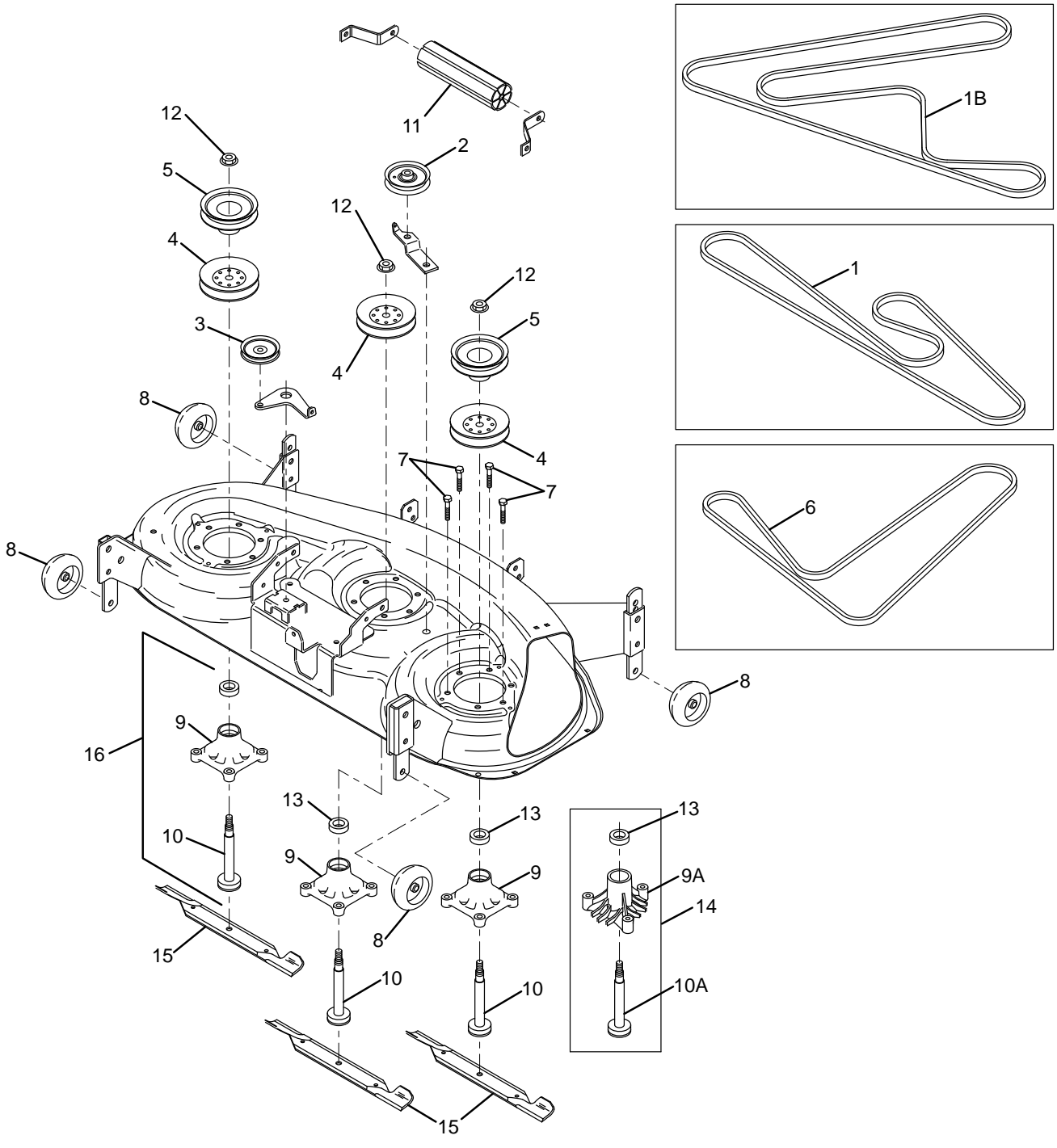


AYP 44", 46", 48", 50" & 54" DECKS (3 BLADES)



AYP 44", 46", 48", 50" & 54" Decks (3 Blades)

Ref #	Frederick #	ASC #	Description
1	75-197	46177	Deck Belt 46" and 50" Decks 1/2" X95-1/2"
	75-654	63361	Deck Belt 48" Cut 5/8" X89"
	75-167	45578	Deck Belt 50" Cut 1/2" X95-1/4"
	75-198	46178	Deck Belt 46" and 50" Cut 1/2" X83-3/4"
	75-936	56483	Deck Belt for 44" Cut 1/2" X88"
1B	75-810	66737	Deck/Spindle Belt 54" Decks
2	78-051	66722	Flat Idler Pulley 5-1/2" OD, 4-3/4" FOD, 1-9/16" W, 1-3/16" FW, 3/8" ID
	78-052	66723	Flat Idler Pulley 4-1/2" OD, 3-5/8" FOD, 1" W, 5/8" FW, 3/8" ID
	78-053	66724	Flat Idler Pulley 4-5/16" OD, 3-1/2" FOD, 1-3/8" W, 1" FW, 3/8" ID
	78-054	66725	Flat Idler Pulley 3-3/4" OD, 2-7/8" FOD, 1-3/8" W, 3/4 FW, 3/8" ID
	34-046	46159	Flat Idler Pulley 3-7/8" OD, 3-1/16" FOD, 1" W, 3/4" FW, 3/8" ID
	78-043	51289	Flat Idler Pulley 4-1/4" OD, 3-3/4" FOD, 1-5/16" W, 7/8" FW, 3/8" ID
	78-013	63393	Flat Idler Pulley 4" OD, 3-1/16" FOD, 1" W, 3/4" FW, 3/8" ID
3	34-049	57271	V Idler Pulley 3-1/2" OD, 13/16" W, 3/8" ID
	78-014	63394	V Idler Pulley 4-1/2" OD, 13/16" W, 3/8" ID
	34-049	57271	V Idler Pulley 3-1/2" OD, 13/16" W, 3/8" ID
4	44-370	36377	Spindle Pulley Splined 5" OD
5	44-302	53080	Driven Pulley 5" OD
6	75-169	43298	Deck Drive Belt 46" and 50" Decks 1/2" X83-3/4"
	75-170	44154	Deck Drive Belt 46" and 50" Decks 1/2" X85-7/8"
	75-097	44860	Deck Drive Belt 44" 1992-1999 1/2" X78-1/2"
7	02-304	62851	Self Tapping Bolt 5/16-18 X 1-1/4"
	02-301	36922	Self Tapping Bolt 3/8-16 X 1"
8	72-312	68202	Guage Wheel 5" X2"
9	N/A		Housing Only for 82-015
9A	82-221	48447	Housing Only for 82-510
10	N/A		Spindle Shaft with Bearings for 82-015
10A	85-023	44683	Spindle Shaft with Bearings for 82-510
1	72-313	63358	Roller 7" X3"
12	04-001	50454	Spindle Nut for Pulley
13	45-624		top Spindle Bearing
14	82-510	43158	Spindle Assembly 44" and 50" Decks for Blades with Star Hole
15	95-014	28919	Blade 3 for 44" Cut 15-11/32 Long 3/8" Center Hole
	95-607	48280	Gator Mulcher 3-in-1 Version of 95-014
	95-006	35632	Blade 3 for 44" Cut 15-3/8" Long 5/8" Star Center Hole
	95-604		Gator Mulcher 3-in-1 Version of 95-006
	95-052	42582	High Lift Blade 3 for 46" Cut 15-1/2" Long 5/8" Star Center
	95-614	44971	Gator Mulcher 3-in-1 Version of 95-052
	95-062	53122	Blade 3 for 48" Cut 16-5/8" Long 5/8" Star Center Hole
	95-915		Gator Mulcher Version of 95-062
	95-018	36486	Blade 3 for 50" Cut 17-3/8" Long 5/8" Star Center Hole
	95-609	43462	Gator Mulcher 3-in-1 Version of 95-018
16	82-015	60393	Spindle Assembly 48" Decks After 2001
	82-026	63400	Spindle Assembly 54" Decks
	495-062	66752	Fusion® blade for 95-062

*** NON-Stocked but Previously Special Ordered Item**