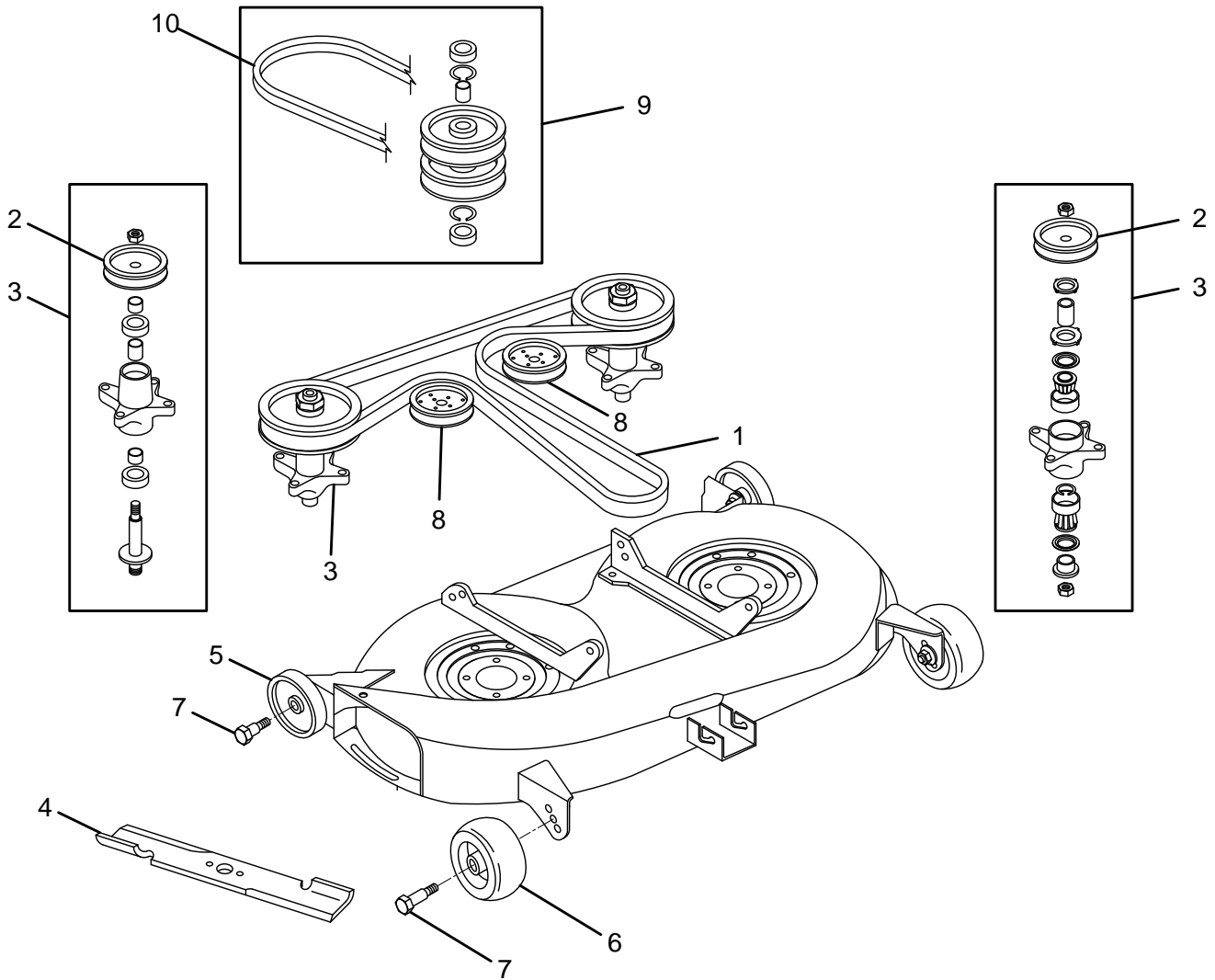


CUB CADET LT1000, SLT1500, GT1500, ZTR & Z-FORCE - 42" DECKS



Cub cadet Lt 1000, slt 1500, gt1500, ztr & z-force - 42" Decks

Ref #	Frederick #	ASC #	Description
1	75-677	63381	Deck drive belt LT1018
1	75-813	70702	Deck drive belt LT1042
1	75-714	71205	Deck drive belt LT1042,RZT 42
1			Deck drive belt Z-Force 42
2			Spindle pulley LT1018, Z-FORCE 42 with star blade hole
2			Spindle pulley LT1042 with star blade hole
2			Spindle pulley LT1042 with round blade hole
2			Spindle pulley RZT42 with star blade hole
3	82-411	70321	Spindle assy LT1018, Z-FORCE 42 with star blade hole
3	82-408	71473	Spindle assy LT1042 with star blade hole
3	82-407	72315	Spindle assy LT1042 with star blade hole (Late production)
3	82-402	71435	Spindle assy LT1042 with round blade hole
3	82-405	71109	Spindle assy RZT42 with star blade hole
4	91-058		Blade LT1018 round center hole
4	98-090	70788	Blade LT1042 star center hole
4			Blade LT1042 round center hole
4	98-059	39051	Blade RZT42 star center hole mulching
4	98-053		Blade RZT42 star center hole non-mulching
4	98-629	39287	Blade RZT42 star center hole GatorMulcher 3 in 1 "
5	72-015	66833	Gage wheel
5	72-025	75166	Gage wheel
6	72-318	14124	Gage wheel 4-3/4 X1-3/8 1/2 ID 1-3/8 offset hub
7	04-150	13861	Gage wheel bolt
8	34-041	36927	Flat idler 3.5"
8	34-204	72047	Flat idler 4.25"
8	78-046	63398	Flat idler 4.00"
8	34-205	72728	Flat idler
9	44-103	63336	Double pulley with bearings for PTO LT1018
9			Double pulley with bearings for PTO Z-Force 42
10	75-676	63380	PTO drive belt LT1018
10	75-817		PTO drive belt Z-Force 42

*** NON-Stocked but Previously Special Ordered Item**