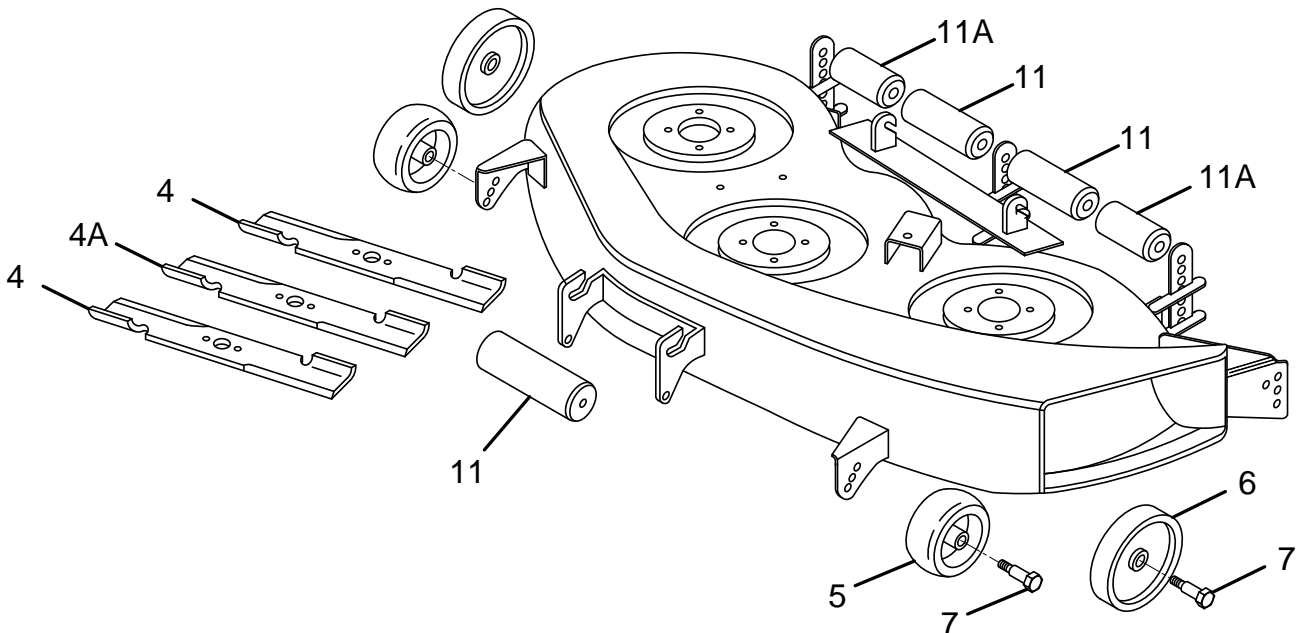


FOR BLADES WITH STAR CENTER HOLE

FOR BLADES ROUND CENTER HOLE



## Cub Cadet LT1000, SLT1500, GT1500, RZT & Z-Force - 44-46-48-50-60

Ref #	Frederick #	OEM #	ASC #	Description
1	75-811	2000103		Deck drive belt Z-Force 44" cut Kohler eng, 1/2" x 81-1/2"
1	75-403	754-3039	35653	Deck drive belt Z-Force 44" cut Briggs eng(round blade center hole), 1/2" x 103"
1	75-706	754-04033	70325	Deck drive belt LT1022,1045,1046 46" cut, 1/2" x 116-1/4"
1	75-815	754-04118	71527	Deck drive belt LT1045,1046 46" cut, 1/2" x 122"
1	75-816	754-04153	72285	Deck drive belt LT1045,1046 46" cut, 1/2" x 120-3/4"
1	75-808	1000399	70310	Deck drive belt Z-Force 48" cut, 1/2" x 106-1/4"
1	75-716	754-04048	70426	Deck drive belt LT1024 50" cut, 5/8" x 130-1/4"
1	75-814	754-04077	72405	Deck drive belt LT1050,SLT1550 50" cut, 5/8" x 132-1/4"
1	75-710	754-04044	71088	Deck drive belt RZT 50" cut, 1/2" x 134"
1	75-491	2000653	60215	Deck drive belt Z-Force 50" cut, 1/2" x 91"
1	75-994	754-04083	60387	Deck drive belt SLT1554 54" cut, 5/8" x 137-7/8"
1	75-994	754-0642	60387	Deck drive belt GT1554 54" cut, 5/8" x 137-7/8"
1		1004752		Deck Drive belt Z-Force 60" cut
2		756-3089		Spindle pulley Z-FORCE 44" cut
2		756-1188		Spindle pulley LT1045,1046 46" cut (star blade center hole)
2		756-04085A		Spindle pulley LT1045,1046 46" cut (round blade center hole)
2		1006535		Spindle pulley Z-FORCE 48, 50,60" cut (round blade hole)
2		756-1171		Spindle pulley LT1050,SLT1550,RZT 50" cut (star blade hole)
2		756-1171		Spindle pulley GT1554,SLT1554,RZT 54" cut (star blade hole)
3C	82-406	618-04394	71353	Spindle assy Z-Force 44" cut Kohler eng50",60"(round blade hole)
3C	82-411	618-3129B	70321	Spindle assy Z-Force 44" cut Briggs engine (round blade hole)
3B	82-409	618-0660	71279	Spindle assy LT1000 46" cut with star blade hole
3D	82-401	618-04123B	74274	Spindle assy LT1000 46" cut with round blade hole
3C		1006470		Spindle assy Z-FORCE 48 with round blade hole
3A	82-403	618-04126	71093	Spindle assy LT1050,SLT1550, RZT 50" (star blade hole)
3A	82-403	618-04126	71093	Spindle assy ,SLT1554, 54" cut (star blade hole)
3A	82-412	618-04129	73496	Spindle assy LT1000 50" cut with round blade hole
3A	82-519	618-0671	63404	Spindle assy ,GT1554, 54" cut (star blade hole)
4		1008616		Blade Z-FORCE 44" cut with round blade hole
4	98-085	742-04125	70851	Blade LT1000 series 46" cut with star blade hole (L&R side)
4	98-081	1004772	72239	Blade Z-FORCE 48" cut with round blade hole (high lift)
4		742-04047		Blade LT1000 series 50" cut with round blade hole
4	98-086	742-04053B		Blade LT1000 series 50" cut with star blade hole
4	91-938	742-04053B	66760	Blade LT1000 series 50" cut with star blade hole 3-IN1 Gator Mulcher™
4	92-015	1010168	71089	Blade Z-FORCE 50" cut with round blade hole (high lift)
4	98-072	742-0677	63426	Blade SLT1554,GT1554 54" cut with star blade hole
4	91-144	1004719	56521	Blade Z-FORCE 60" cut with round blade hole

## Cub Cadet LT1000, SLT1500, GT1500, RZT & Z-Force - 44-46-48-50-60

Ref #	Frederick #	OEM #	ASC #	Description
4A	98-083	742-04016		6 Blade LT1000 series 46" cut with round blade hole (center blade)
4A	98-084	742-04124		4 Blade LT1000 series 46" cut with star blade hole (center blade)
5		1000343		Gage wheel
5	72-025	734-04155		Gage wheel
5	72-027	703-1890		Gage wheel
5	72-015	734-04039		Gage wheel
6	72-318	734-0973		Gage wheel
7	04-150	738-0373		Gage wheel bolt
7	04-163	738-3056		Gage wheel bolt
8	78-046	756-1229		Flat idler
8	34-204	756-04129		Flat idler
8	34-041	756-0627B		Flat idler
8	34-201	1004101		Flat idler
8	34-206	756-3062		Flat idler
9		1008376		Double pulley with bearings for PTO Z-Force 44 with Briggs engine
10	75-818	1002391		PTO drive belt Z-Force 44, 5/8" x 62-1/2"
10	75-820	50441	71833	PTO drive belt Z-Force 44,48, 1/2" x 117-5/8"
10	75-821	1005011	74314	PTO drive belt Z-Force 50, 5/8" x 83"
10	75-822	1005012	72186	PTO drive belt Z-Force 60, 5/8" x 83-3/4"
11		731-0335		Deck Roller
11	72-319	1000385	63359	Deck Roller
11	72-319	731-3005	63359	Deck Roller
11A	72-026	1001169	72354	Rear Deck roller, Short

**\* NON-Stocked but Previously Special Ordered Item**