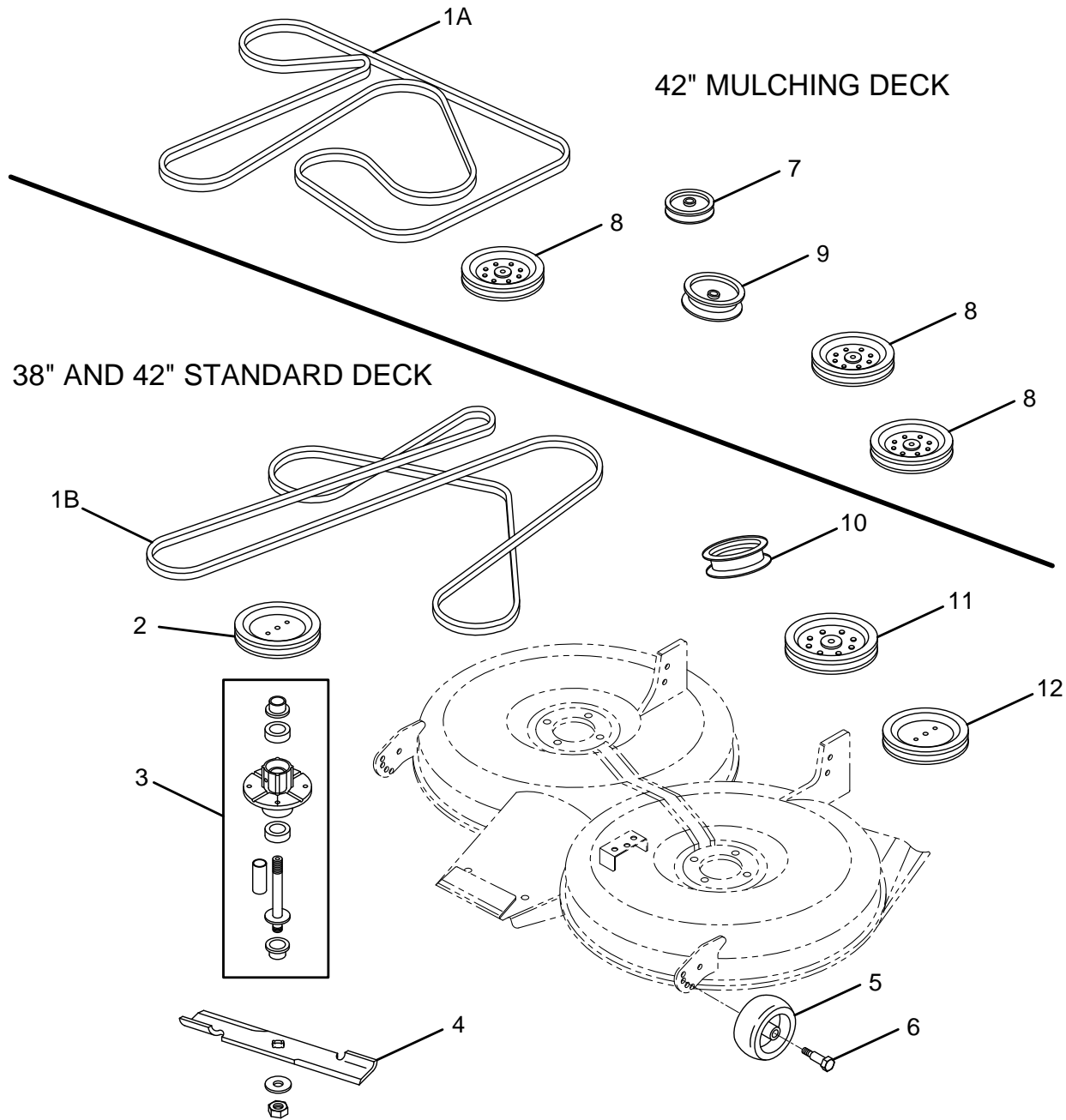


JOHN DEERE - 42" MULCHING DECK / 38" & 42" STANDARD DECK



John Deere - 42" Mulching Deck / 38" & 42" Standard Deck

Ref #	Frederick #	ASC #	Description
1A			Deck drive belt 42" mulching deck
1B	75-803	74467	Deck drive belt 42" with and without tension handle, 1/2" x 144-1/4"
1B	75-802	74130	Deck drive belt 38" deck with tension handle, 1/2" x 141-1/2"
1B	75-804	70452	Deck drive belt 38" deck without tension handle, 1/2" x 140-3/4"
2			Spindle pulley 42" mulching deck
2			Spindle pulley 38" and 42" standard deck
3			Spindle assembly for 38" and 42" decks
4	92-109	72438	Blade for 38" standard deck
4	92-110	71090	Blade for 42" standard deck
4	92-111	70381	High lift blade for 42" standard deck
4	92-107		LH Blade for 42" mulching deck
4	92-108	71095	RH Blade for 42" mulching deck
5	72-094	39636	Gage wheel
6	04-163	36923	Gage wheel bolt
7	78-131	66822	V-idler
8			V-idler before serial number 040000
8	34-106		V-idler after serial number 040001
9			V-idler before serial number 040000
9	34-107		V-idler after serial number 040001
10	34-104		Flat idler 38" and 42" with and without tension handle
1	34-106		V-idler 38" and 42" deck without tension handle
1			V-idler 38" and 42" deck with tension handle
12	34-103	74824	Flat idler 38" and 42" with and without tension handle

*** NON-Stocked but Previously Special Ordered Item**