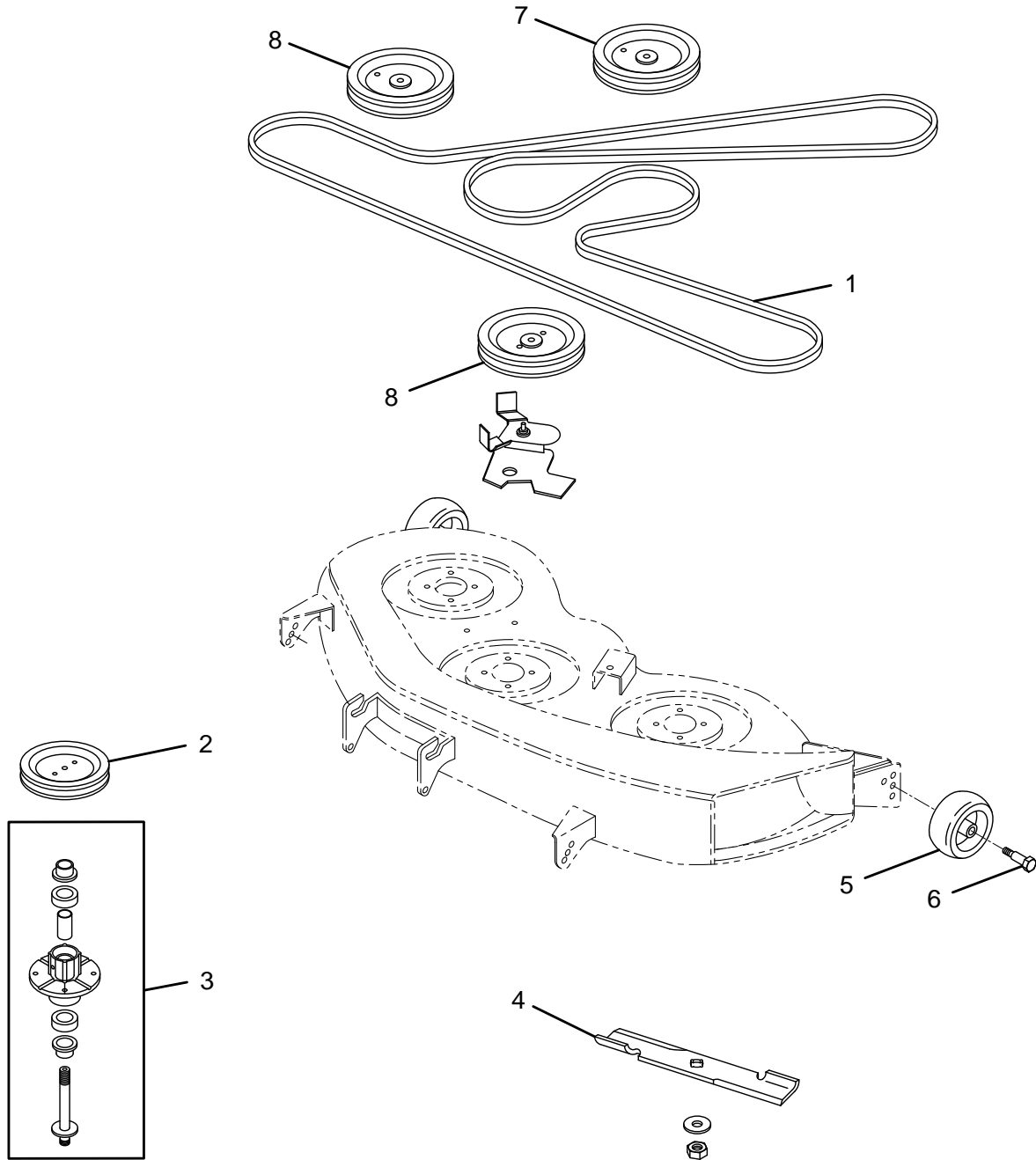


JOHN DEERE - 48" & 54" 100 SERIES DECKS



John Deere - 48" & 54" 100 series decks

Ref #	Frederick #	ASC #	Description
1	75-800	71891	Deck drive belt 48" 100 series, 1/2" x 140-1/4"
1	75-799	72037	Deck drive belt 54" 100 series, 5/8" x 159-1/4"
2			Spindle pulley 48" and 54" deck 100 series
3	82-359	70457	Spindle assembly for 48" decks 100 series
3			Spindle assembly for 54" decks 100 series
4	92-104	70668	Blade for 48" decks 100 series
4			High lift blade for 48" decks 100 series
4	92-105	70850	Mulcher blade for 48" decks 100 series
4	92-103	71296	Blade for 54" decks 100 series
5	72-119	56475	Gage wheel
6	04-163	36923	Gage wheel bolt
7	78-118-0	60391	Deck idler 100 series
8	34-109	74400	Deck idler 100 series

*** NON-Stocked but Previously Special Ordered Item**