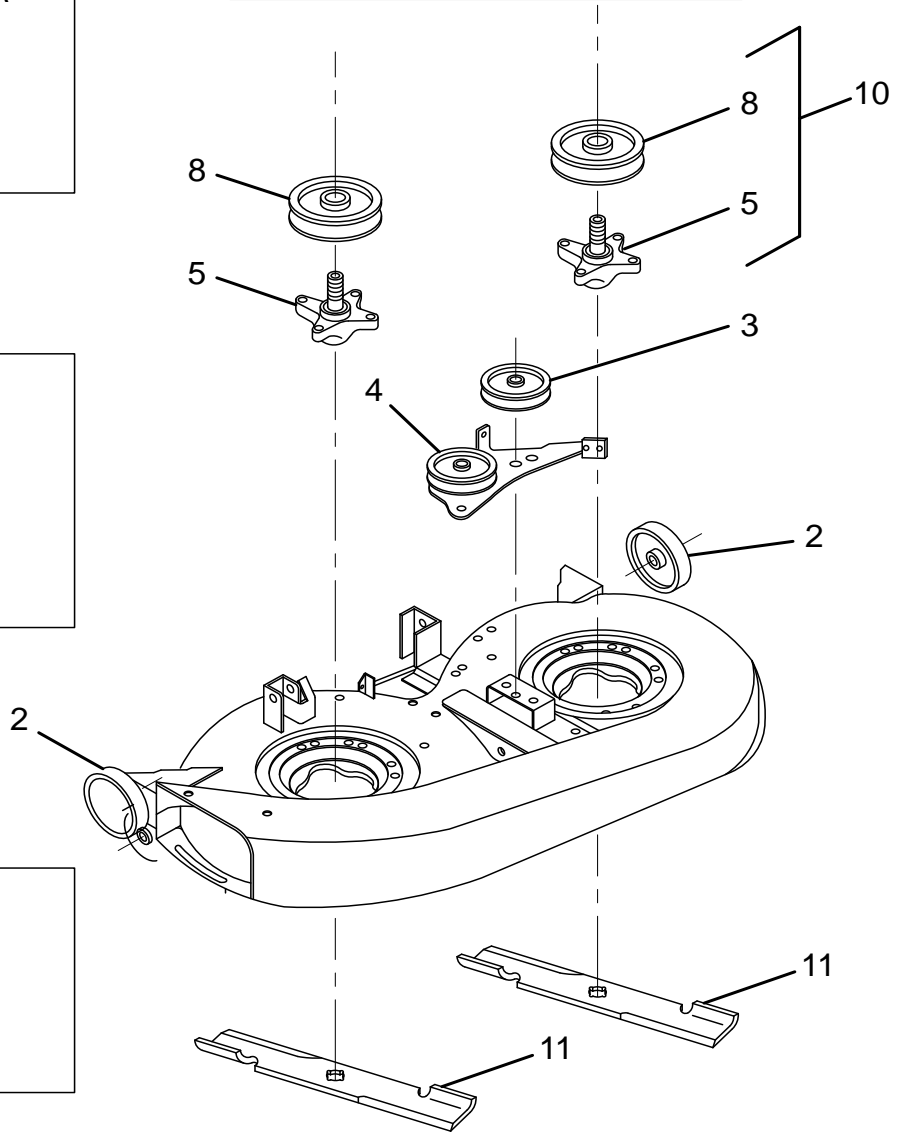
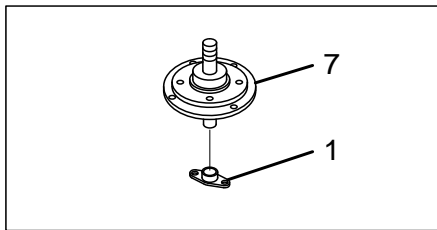
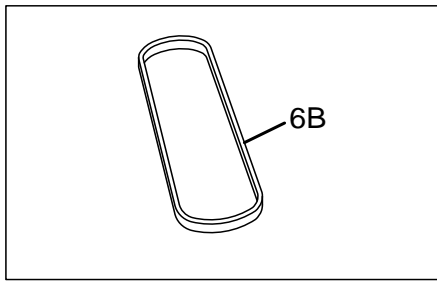
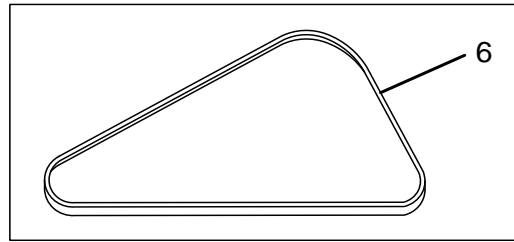
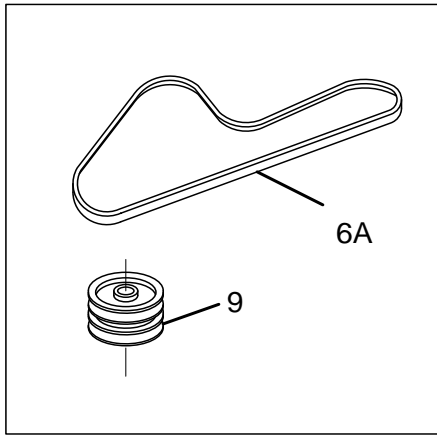


MTD 38" & 42" DECKS (2 BLADES)



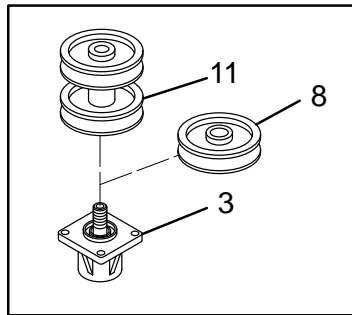
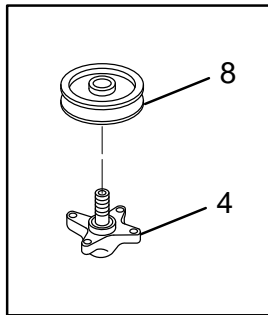
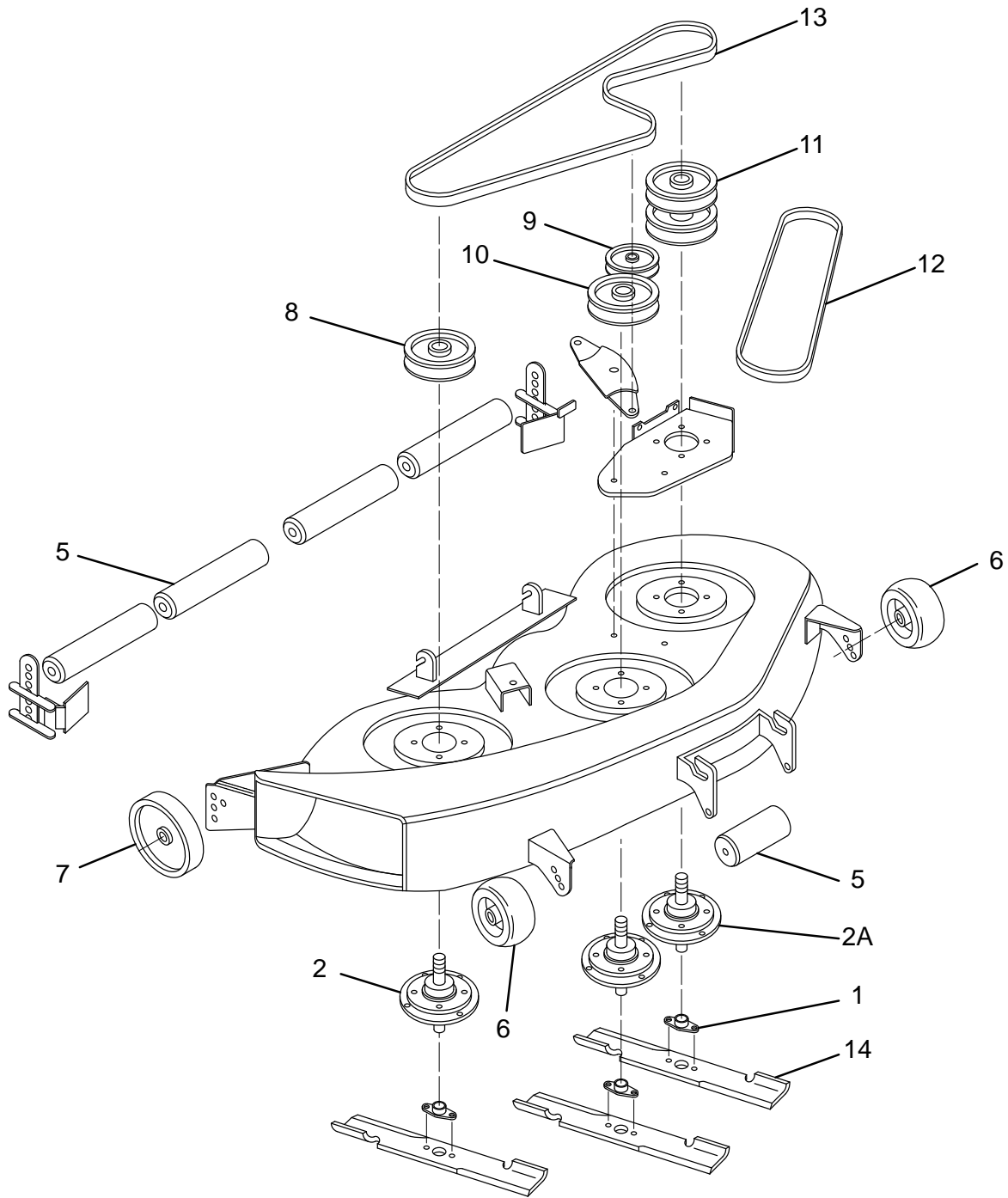
MTD 38" to 42" Decks (2 Blades)

Ref #	Frederick #	OEM #	ASC #	Description
1	65-221	748-0300	31217	Blade Adapte
2	72-318	734-0973	14124	Guage Wheel 4-3/4" X 1-3/8"
3	78-019	756-0116	63395	V Idler Pulley 3" OD, 13/16" W, 3/8" ID
0	78-029	756-1208	63397	V Idler Pulley 4" OD, 11/16" W, 3/8" ID
4	78-098	756-0229	66719	Flat Idler Pulley 4-7/8" OD, 4" FOD, 1-1/8" W, 3/4" FW, 3/8" ID
0	78-050	756-0365	35664	Flat Idler Pulley 4-1/8" OD, 3-1/2" FOD, 1-1/16" W, 3/4" FW, 3/8" ID
0	34-041	756-0627	36927	Flat Idler Pulley 4-1/8" OD, 3-1/2" FOD, 1-1/4" W, 7/8" FW, 3/8" ID
0	78-046	756-1229	63398	Flat Idler Pulley 4-7/8" OD, 4" FOD, 1" W, 3/4" FW, 3/8" ID
0	78-047	756-3105	63399	Flat Idler Pulley 5-3/4" OD, 5" FOD, 1-1/2" W, 1" FW, 3/8" ID
0	78-028	756-0981A	63396	Flat Idler Pulley 3-1/8" OD, 2-3/4" FOD, 1-1/4" W, 7/8" FW, 3/8" ID
5	82-513-2	618-0138	39292	Spindle Assy Wo/Pulley for 38" Out Uses 44-102 Pulley
0	82-513-2	618-0142	39292	Spindle Assy Wo/Pulley for 42" Out Uses 44-369 Pulley
0	04-015	912-0417A	60286	Spindle Nut (Not Shown)
6	75-145	754-0145	40608	Deck Belt for 38" Out Built 1971 to 1987 5/8" X 69"
0	75-025	754-0364	33164	Deck Belt for 36" and 38" Out Model 400 Series Built 1988 to 1998 5/8" x 68"
0	75-028	754-0371A	36599	Deck Belt for 42" Out Built 1989 to 1996 5/8" X 74"
0	75-029	754-0329A	33165	Deck Belt for 38" Out Built Model 600 Series 1994 to 1997 21/32" x 69-1/4"
0	75-361	754-0472	53102	Deck Belt for 42" Out Auto Drive Units with Electric Pto 5/8" X 8 3/3/2004"
0	75-263	754-0485	51132	Deck Belt for 42" Out Auto Drive Units with Manual Pto 5/8" X 97"
6A	75-677	754-0498	63381	Deck Belt for 42" Out Model 600 Series with 2 Belt Deck 1/2" X 66-11/16"
6B	75-676	754-0497	63380	PTO Belt for 42" Out Model 600 Series with 2 Belt Deck 1/2" X 60"
7	82-500	917-0906A	34518	Spindle Assy 38" and 42" Out Built From 1991 to 1996 with
8	44-102	756-0969	60335	Spindle Pulley for 38" Out
8	44-369	756-0980	66720	Spindle Pulley for 42" Out
9	44-103	756-1202	63336	Double Pulley with Bearings 42" Out Decks with 2 Belts
10	82-517	918-0574	63402	Spindle Assy W/ Pulley for 42" Out Late Model 600 Series
11	98-496	742-0496	36443	Blade 2 for 36" Out 18-19/64" 13/32" Center Hole 5/16" Outer Holes
0	98-624		63432	Gator Mulcher 3-in-1 Version of 98-496
0	98-019	742-0122A	26616	Blade 2 for 38" Out 18-57/64" 13/32" Center Hole 5/16" Outer Holes
0	98-609		63429	Gator Mulcher 3-in-1 Version of 98-496
0	98-537	742-0537	33146	Blade 2 for 38" Out with Deep Deck 19-5/16" 13/32" Center Hole 29/64" Outer Holes
0	98-638		63442	Gator Mulcher 3-in-1 Version of 98-638
0	98-058	742-0610	39284	Mulch 3-in-1 Blade 2 for 38" Out 19-5/16" 5/8" Star Center Hole 5/16" Outer Holes
0	98-628		63435	Gator Mulcher 3-in-1 Version of 98-058
0	98-499	742-0499	30694	Blade 2 for 42" Out 21-3/16" 13/32" Center Hole 5/16" Outer Holes
0	98-600		63427	Gator Mulcher 3-in-1 Version of 98-499
0	98-059	742-0616	39051	Mulch 3-in-1 Blade 2 for 42" Out 21-3/16" 5/8" Star Center Hole 5/16" Outer Holes
0	98-629		39287	Gator Mulcher 3-in-1 Version of 98-059
0	498-059		66782	Fusion® for 98-059
0	498-629		66783	Fusion® for 98-629

on. For specific applications not listed refer to the OEM

*** NON-Stocked but Previously Special Ordered Item**

MTD 46" & 54" DECKS (3 BLADES)



MTD 38" to 42" Decks(2 Blades)

Ref #	Frederick #	ASC #	Description
1	65-221	31217	Blade Adapter
2	82-502	34520	Spindle Assy for 44" and 46" Out Single Pulley 1988-1992
	82-503	34521	Spindle Assy for 44" and 46" Out Double Pulley 1988-1992
3	82-511	39290	Spindle Assy 46" Out for Star Blades 1993-1996 Double Pulley
	82-512	39291	Spindle Assy 46" Out for Star Blades 1993-1996 Single Pulley
	82-515	39293	Spindle Assy 46" Out for Star Blades 1997 and Later Single Pulley
	82-516	39294	Spindle Assy 46" Out for Star Blades 1997 and Later Double Pulley
	82-518	63403	Spindle Assy 46" Out for Star Blades Late Model 800 with Tall Double Pulley
4	82-519	63404	Spindle Assy 54" Out for Star Blades Late Model 800 Single Pulley
5	72-319	63359	Deck Roller 6" X2-1/2"
6	72-308-1	33157	Guage Wheel(Oval Type) 5" X2-5/8"
7	72-101	35668	Guage Wheel 6" X1-3/8"
8	44-102	60335	Spindle Pulley 5" OD X5/8" ID Splined
9	78-019	63395	V Idler Pulley 3" OD, 13/16" W, 3/8" ID
	78-029	63397	V Idler Pulley 4" OD, 11/16" W, 3/8" ID
10	78-098	66719	Flat Idler Pulley 4-7/8" OD, 4" FOD, 1-1/8" W, 3/4" FW, 3/8" ID
	78-050	35664	Flat Idler Pulley 4-1/8" OD, 3-1/2" FOD, 1-1/16" W, 3/4" FW, 3/8" ID
	34-041	36927	Flat Idler Pulley 4-1/8" OD, 3-1/2" FOD, 1-1/4" W, 7/8" FW, 3/8" ID
	78-046	63398	Flat Idler Pulley 4-7/8" OD, 4" FOD, 1" W, 3/4" FW, 3/8" ID
	78-047	63399	Flat Idler Pulley 5-3/4" OD, 5" FOD, 1-1/2" W, 1" FW, 3/8" ID
	78-028	63396	Flat Idler Pulley 3-1/8" OD, 2-3/4" FOD, 1-1/4" W, 7/8" FW, 3/8" ID
1	44-101	60334	Spindle Pulley Double
12	75-008	33161	PTO Belt 50" Out 1/2" X56"
	75-035	41043	PTO Belt 46" Out 5/8" X64" 800 Series
	75-159	42754	PTO Belt 46" Out 5/8" X60-3/8" 600 Series
	75-362	53103	PTO Belt 46" Out 5/8" X102-1/8" 600 Series with Electric PTO
	75-264	51011	PTO Belt 46" Out 5/8" X66-1/2" 2000 and Later with Manual PTO
13	75-079	42959	Deck Belt 50" Out 900 Series 1/2" X117"
	75-018		Deck Belt 44" Out 1/2" X74"
	75-021	33163	Deck Belt 46" Out 1/2" X79" 800 Series
	75-161	43157	Deck Belt 46" Out 1/2" X98-7/8" 600 Series
	75-364	53105	Deck Belt 46" Out 5/8" X100-1/2" Auto Drive with Electric PTO
	75-994	60387	Deck Belt 54" Out 5/8" X137-7/8" Auto Drive with Electric PTO
14	98-056	34511	Blade Center 1 Used for 46" Out 14-13/16" Long 11/16" Star Center Hole Built Before 1996
	98-626	63433	Gator Mulcher 3-in-1 Version of 98-056
	98-057	34512	Blade Outside 2 Used for 46" Out 16-1/4" Long 11/16" Star Center Hole Built Before 1996
	98-627	63434	Gator Mulcher 3-in-1 Version of 98-057
	98-069	51404	Blade Center 1 Used for 46" Out 14-13/16" Long 5/8" Star Center Hole Built After 1996
	98-670	53124	Gator Mulcher 3-in-1 Version of 98-069
	98-054	42745	Blade Outside 2 Used for 46" Out 16-1/4" Long 5/8" Star Center Hole Built After 1996
	98-634	63439	Gator Mulcher 3-in-1 Version of 98-054
	98-061	47316	3-in-1 Mulch Blade Center 1 Used for 46" Out 14-29/32" Long 5/8" Star Center Hole Built After 1999
	98-637	53125	Gator Mulcher 3-in-1 Version of 98-061
	98-063	47317	3-in-1 Mulch Blade Outside 2 Used for 46" Out 16-1/4" Long 5/8" Star Center Hole Built After 1999
	98-640		Gator Mulcher 3-in-1 Version of 98-063
	98-064-1	46202	Blade 3 for 50" Out 17-5/16" 5/8" Star Center Hole Built Since 1998
	98-072	63426	Blade 3 for 54" Out 18-1/2" 5/8" Star Center Hole Built Since 2002

*** NON-Stocked but Previously Special Ordered Item**