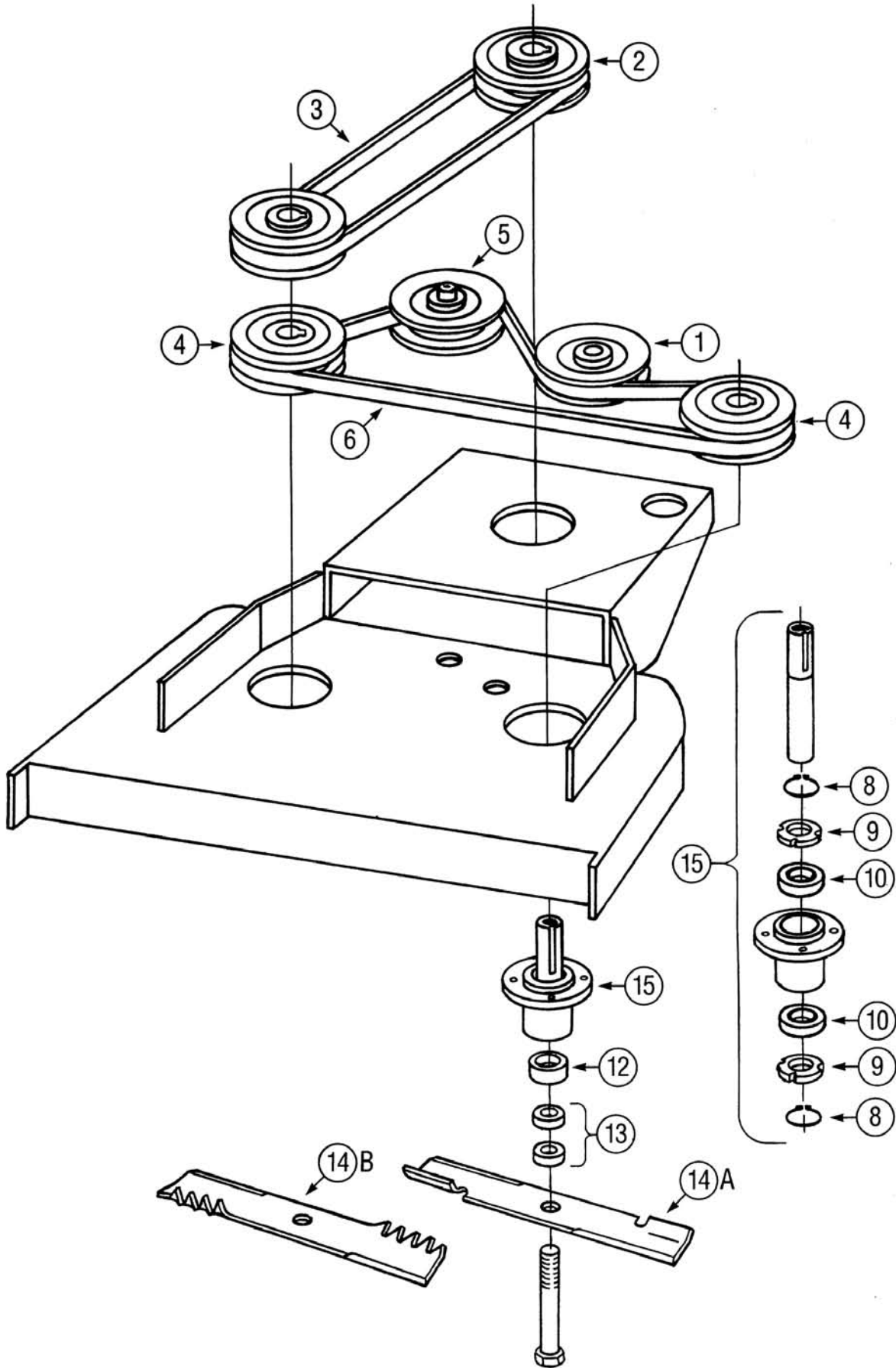


BUNTON 36" WALK BEHIND MOWER



BUNTON 36" WALK BEHIND MOWER

REF. #	OREGON	BUNTON	DESCRIPTION
1	78-041	PL0786	PULLEY, IDLER
2	78-646	PL1246	ENGINE PULLEY
3	75-558	PLO661	BELT - ENGINE TO DECK
4	N/A	N/A	N/A
5	78-121	PL8540A	V-PULLEY, IDLER
6	75-223	PLO643	BLADE BELT
8	02-496	PO410	SNAP RING
9	N/A	N/A	N/A
10	45-401	PLO609	HEAVY DUTY BEARING
12	N/A	N/A	N/A
13	09-802	PLO617	1/4" SPACER
14A	91-064	PL4206	BLADE
14B	90-718		GATOR MULCHER MAGNUM™
	90-418		GATOR MULCHER HI-LIFT™
15	82-308	PAL0806	SPINDLE ASSEMBLY
	490-718		Fusion® Gator Magnum

BUNTON 36" walk be hind Mower

Ref #	Frederick #	OEM #	ASC #	Description
1	78-041	PL0786	55547	PULLEY, IDLER
2	78-646	PL1246	55102	ENGINE PULLEY
3	75-558	PLO661		BELT - ENGINE TO DECK
4	N/A	N/A		N/A
5	78-121	PL8540A	53874	V-PULLEY , IDLER
6	75-223	PLO643		BLADE BELT
8	02-496	PO410		SNAP RING
9	N/A	N/A		N/A
10	45-401	PLO609		HEAVY DUTY BEARING
12	N/A	N/A		N/A
13	09-802	PLO617		1/4SPACER
14A	91-064	PL4206	41074	BLADE
14B	90-718			GATOR MULCHER MAGNUM "
	90-418			GATOR MULCHER HI-LIFT "
15	82-308	PAL0806	74673	SPINDLE ASSEMBLY
	490-718		74382	Fusion® Gator Magnum

*** NON-Stocked but Previously Special Ordered Item**