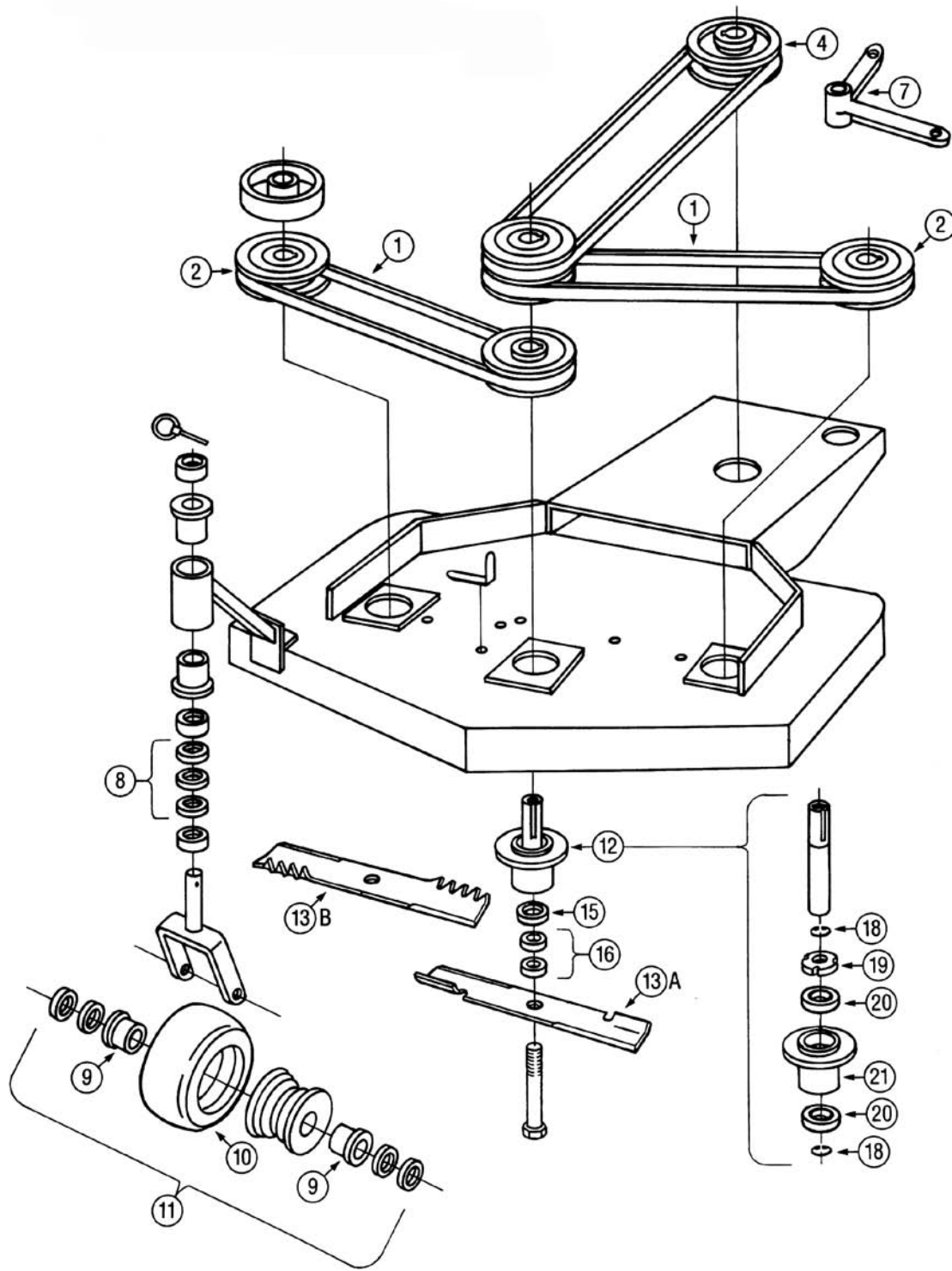


BUNTON 48" & 52" OLD STYLE "V" DECKS



BUNTON 48" & 52" OLD STYLE "V" DECKS

REF. #	OREGON	BUNTON	DESCRIPTION
1	75-446	PL4813	BLADE BELT
2	78-644	PL0622	PULLEY
4	78-646	PL1246	ENGINE PULLEY
7	N/A	N/A	N/A
8	09-804	PJH1054	1/2" CASTER SPACER
9	45-010	PLO941	BEARING
10	68-133	PLO959A	410/350-5
11	72-760	PALO942A	WHEEL ASSEMBLY
12	82-308	PALO8060	SPINDLE ASSEMBLY
13A	91-068	PL4205	HI-LIFT BLADE 48" CUT
	91-064	PL4206	HI-LIFT BLADE 52" CUT
13B	90-717		GATOR MULCHER MAGNUM™ 48" CUT
	90-418		GATOR MULCHER HI-LIFT™ 52" CUT
	90-718		GATOR MULCHER MAGNUM™ 52" CUT
	490-718		Fusion® Gator Magnum
15	N/A	N/A	N/A
16	09-802	PLO617	1/4" BLADE SPACER
18	02-496	PO410	SNAP RING
19	N/A	N/A	N/A
20	45-401	PL0609	HEAVY DUTY BEARING
21			NLA

Bunton 48" & 52" Old style "v" decks

Ref #	Frederick #	OEM #	ASC #	Description
1	75-446	PL4813		BLADE BELT
2	78-644	PL0622		PULLEY
4	78-646	PL1246	55102	ENGINE PULLEY
7	N/A	N/A		N/A
8	09-804	PJH1054		1/2 CASTER SPACER
9	45-010	PLO941	57083	BEARING
10	68-133	PLO959A		410/350-5
11	72-760	PALO942A		WHEEL ASSEMBLY
12	82-308	PALO8060	74673	SPINDLE ASSEMBLY
13A	91-068	PL4205	46923	HI-LIFT BLADE 48 CUT "
	91-064	PL4206	41074	HI-LIFT BLADE 52 CUT "
13B	90-717			GATOR MULCHER MAGNUM 48" CUT "
	90-418			GATOR MULCHER HI-LIFT 52" CUT "
	90-718			GATOR MULCHER MAGNUM 52" CUT "
	490-718		74382	Fusion® Gator Magnum
15	N/A	N/A		N/A
16	09-802	PLO617		1/4 BLADE SPACER
18	02-496	PO410		SNAP RING
19	N/A	N/A		N/A
20	45-401	PL0609		HEAVY DUTY BEARING
21				NLA

*** NON-Stocked but Previously Special Ordered Item**

