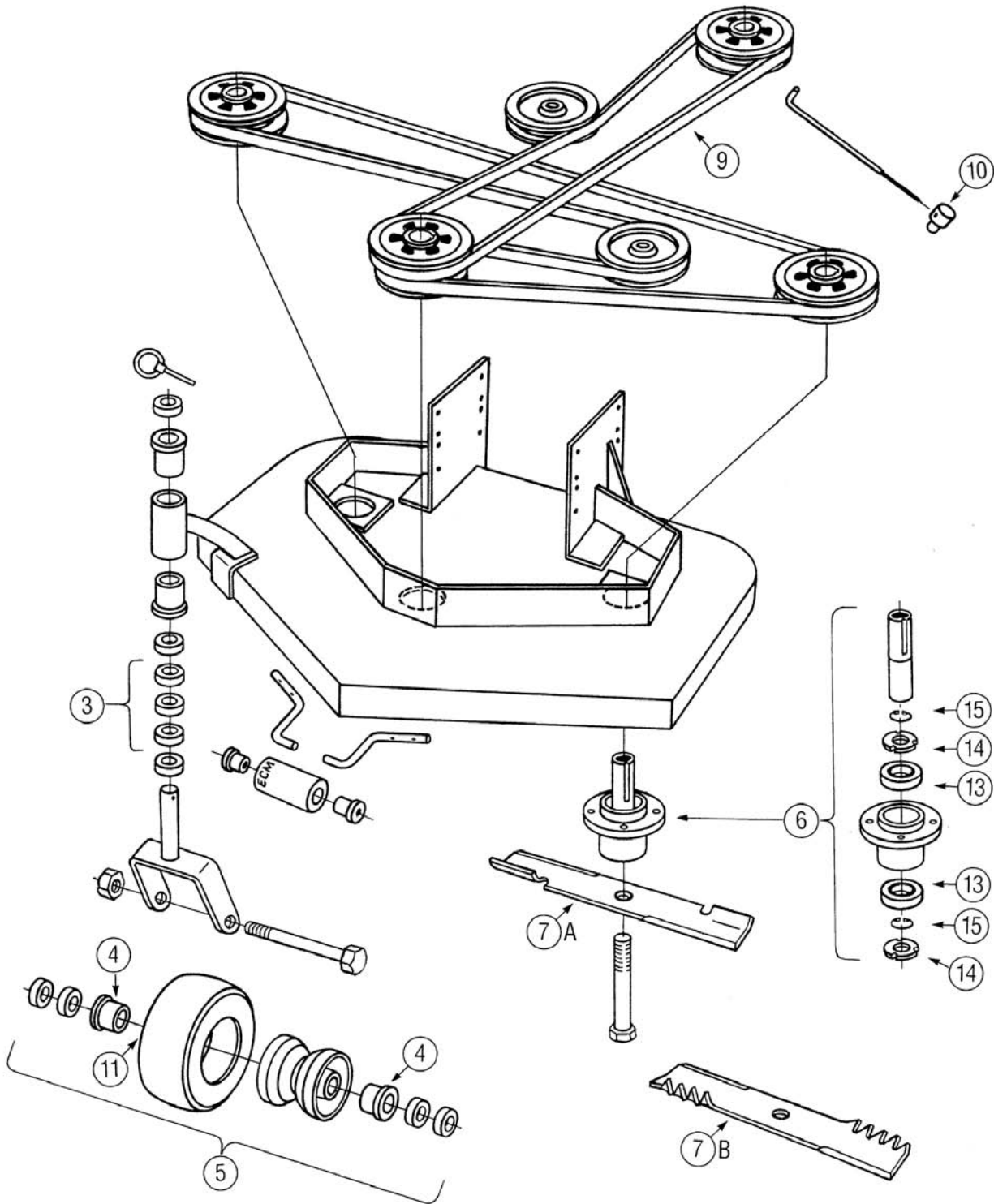


BUNTON 48", 52" & 61" HYDRO & BELT DRIVE WALK BEHIND MOWER



Bunton 48", 52" & 61" Hydro & Belt Drive walk behind mower

Ref #	Frederick #	OEM #	ASC #	Description
3	09-804	PJH1054		1/2 CASTER SPACER "
4	45-010	PLO941	57093	BEARING
5	72-760	PAL0942A		WHEEL ASSEMBLY
6	82-308	PALO806A	74673	SPINDLE ASSEMBLY
7A	91-068	PL4205	46923	BLADE FOR 48 CUT "
	91-064	PL4206	41074	BLADE FOR 52 CUT "
	91-069	PC005	41075	BLADE FOR 61 CUT "
7B	90-417			GATOR MULCHER HI-LIFT 48" CUT "
	90-717			GATOR MULCHER MAGNUM 48" CUT "
	490-717			FUSION® GATOR MAGNUM
	90-418			GATOR MULCHER HI-LIFT 52" CUT "
	90-718			GATOR MULCHER MAGNUM 52 CUT "
	490-718		74382	FUSION® GATOR MAGNUM
9	75-563	PL4732		48 CUT ENGINE TO DECK BELT "
	75-565	PL4739	52847	52 CUT ENGINE TO DECK BELT "
10	02-118	PLO355		SWIVEL
1	68-133	PLO958		410/350-5 TIRE
13	45-401	PLO609		BEARING
14	N/A	N/A		N/A
15	02-496	PO410		SNAP RING

*** NON-Stocked but Previously Special Ordered Item**