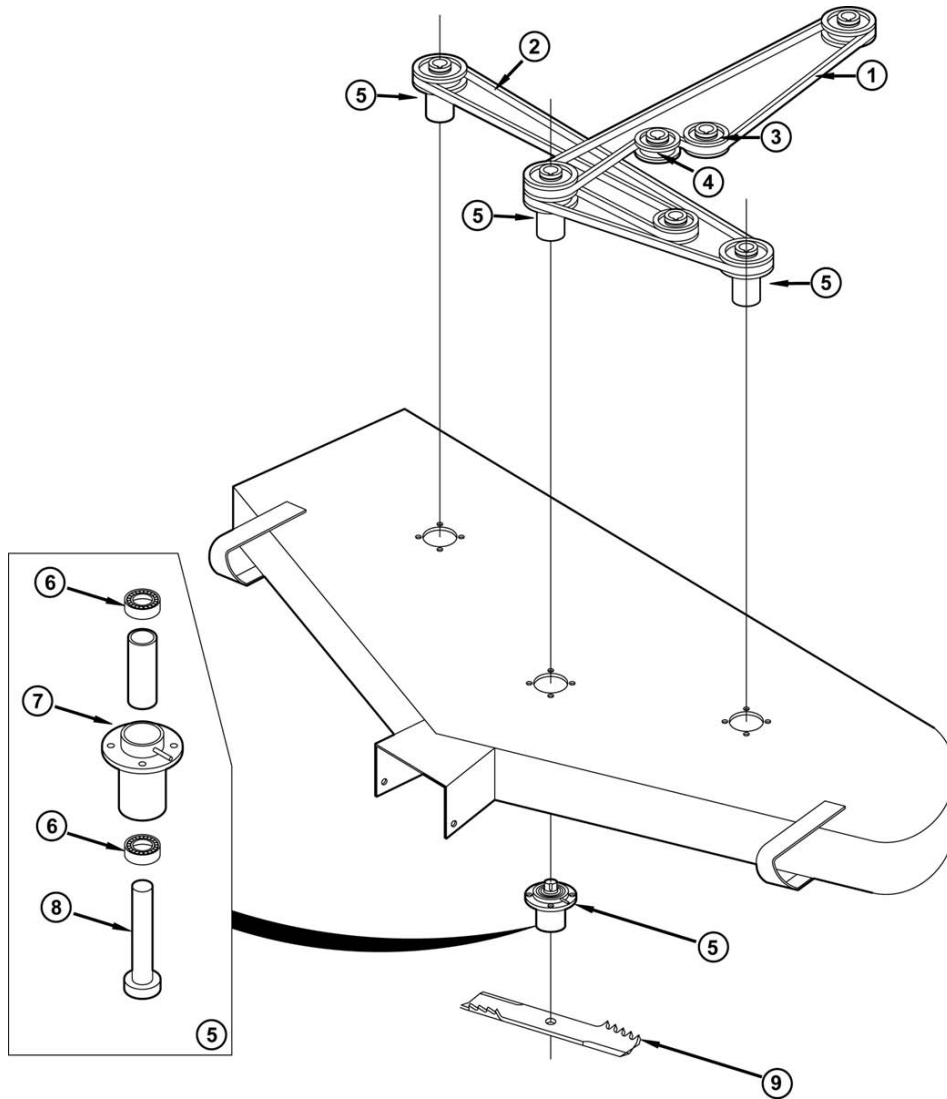


# DIXIE CHOPPER 42", 50" & 60" DECK MOWER



## Dixie choper 42", 50" & 60" Deck Mower

Ref #	Frederick #	OEM #	ASC #	Description
1	75-208	30204	70527	50 " ENGINE TO DECK BELT
	75-199	65080	69259	60" ENGINE TO DECK BELT
2	75-283	30203	53091	50" DECK DRIVE BELT
	75-211	30236-0	72404	60" DECK DRIVE BELT
3	78-010	30234		42"/50"/60" V IDLER PULLEY
4	78-009	30224	53119	42"/50"/60" FLAT IDLER PULLEY
5	82-323	10161-L		42"/50"/60" CENTER SPINDLE ASSEMBLY
	82-322	10161	70879	42"/50"/60" OUTSIDE SPINDLE ASSEMBLY
6	N/A	N/A		N/A
7	82-327-0	30241		42"/50"/60" SPINDLE HOUSING
8	82-326-0	30217L		42"/50"/60" SPINDLE SHAFT
	82-324-0	30217		42"/50"/60" SPINDLE SHAFT
9	91-501	30227-42	39348	42" BLADE
	90-414			42" GATOR MULCHER HI-LIFT "
	90-714			42" GATOR MULCHER MAGNUM "
	91-502	30227-50	41113	50" BLADE
	491-502		66761	FUSION®
	91-505	30227-50V	31777	50" BLADE
	91-508	30227-50H	44109	50" BLADE
	90-423			50" GATOR MULCHER HI-LIFT "
	90-723			50" GATOR MULCHER MAGNUM "
	490-723			FUSION® GATOR MAGNUM
	491-503		63346	FUSION® BLADE
	491-506		61969	FUSION® BLADE
	491-509		63347	FUSION® BLADE
	91-503	30227-60	41113	60" BLADE
	91-506	30227-60V	40067	60" BLADE
	91-509	30227-60H	44110	60" BLADE
	90-424		51494	60" GATOR MULCHER HI-LIFT "
	90-724			60" GATOR MULCHER MAGNUM "

**\* NON-Stocked but Previously Special Ordered Item**