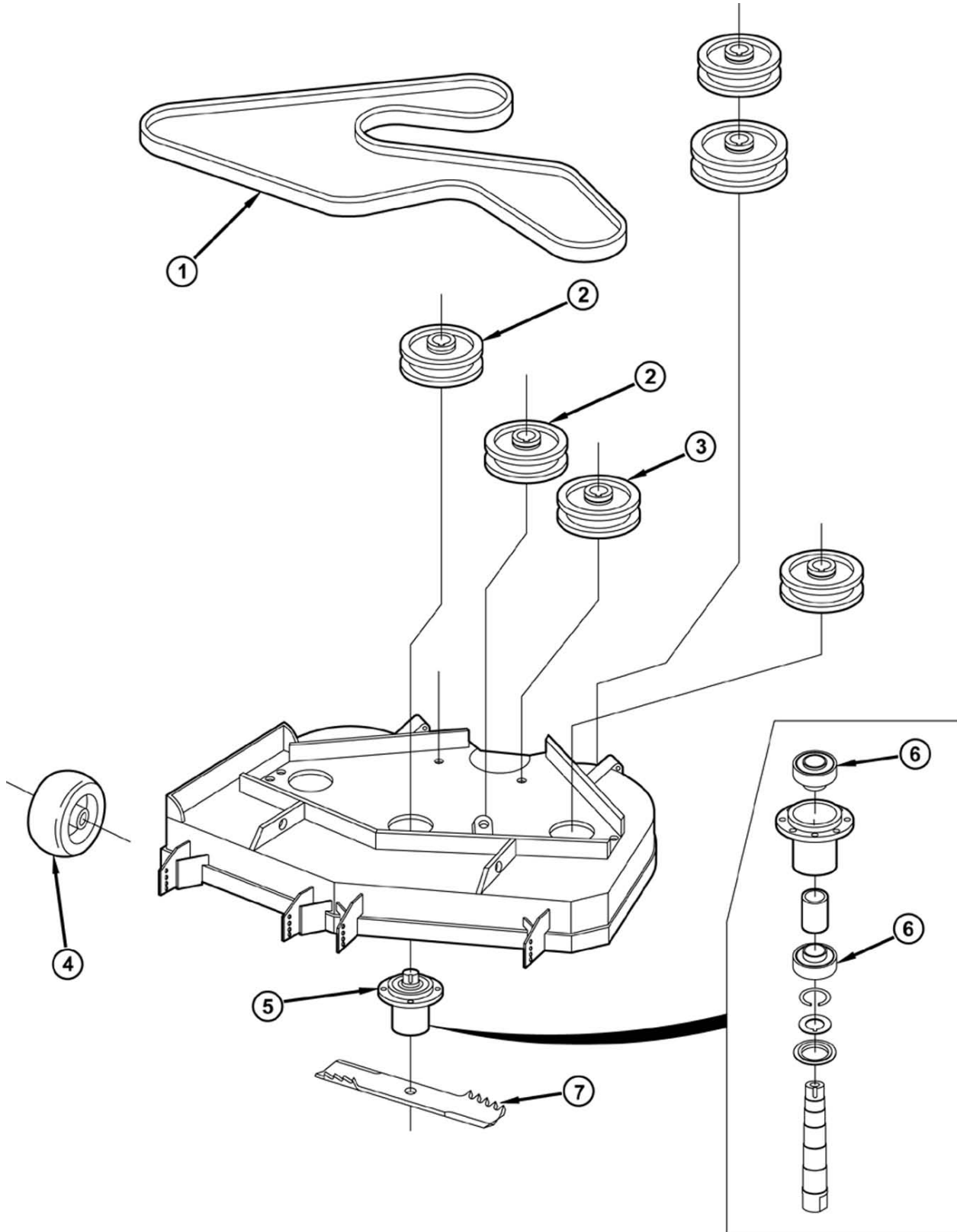


EXMARK LAZER Z 52", 60" & 72 DECK MOWERS



Exmark lazer Z 52", 60" & 72 deck mowers

Ref #	Frederick #	OEM #	ASC #	Description
	75-188	633173		52"-60"-72" DECK DRIVE BELT
1	75-960	633366	56485	52" DECK BELT
	75-186	633127	58095	60" DECK BELT
	75-967	643052	56488	72" DECK BELT
2	78-011	633109	62938	52"-60"-72" FLAT IDLER PULLEY
3	78-005	603805		52"-60"-72" V IDLER PULLEY
4	72-311-1	603299		52"-60"-72" ANTI SCALP WHEEL
5	82-318	634972		52"-60"-72" SPINDLE ASSEMBLY OLD STYLE
	82-344	103-1140	56506	52" & 60" SPINDLE ASSEMBLY NEW STYLE
	82-349	644092	60175	72" SPINDLE ASSEMBLY NEW STYLE
6	45-401	303543	63343	52"-60"-72" SPINDLE BEARING
7	91-312	633482	44751	52" STANDARD BLADE
	91-335	633484	63718	52" MULCHER BLADE
	90-418			52" GATOR MULCHER "
	491-312		63343	52" FUSION® BLADE
	490-718		74382	52" FUSION® GATOR MAGNUM
	90-718			52" GATOR MULCHER MAGNUM "
	91-264	633483	41096	60" REPLACEMENT BLADE
	91-311	613112	41102	60" MULCHER BLADE
	90-424		51494	60" GATOR MULCHER "
	90-724			60" GATOR MULCHER MAGNUM "
	91-374	1-643006	46953	72" REPLACEMENT BLADE
	491-264		63342	60" FUSION® BLADE
	491-374		66765	72" FUSION® BLADE
	91-043	1-643097		72" MULCHER BLADE
	90-399		57662	72" GATOR MULCHER "
	90-699		56573	72" GATOR MULCHER MAGNUM "

*** NON-Stocked but Previously Special Ordered Item**