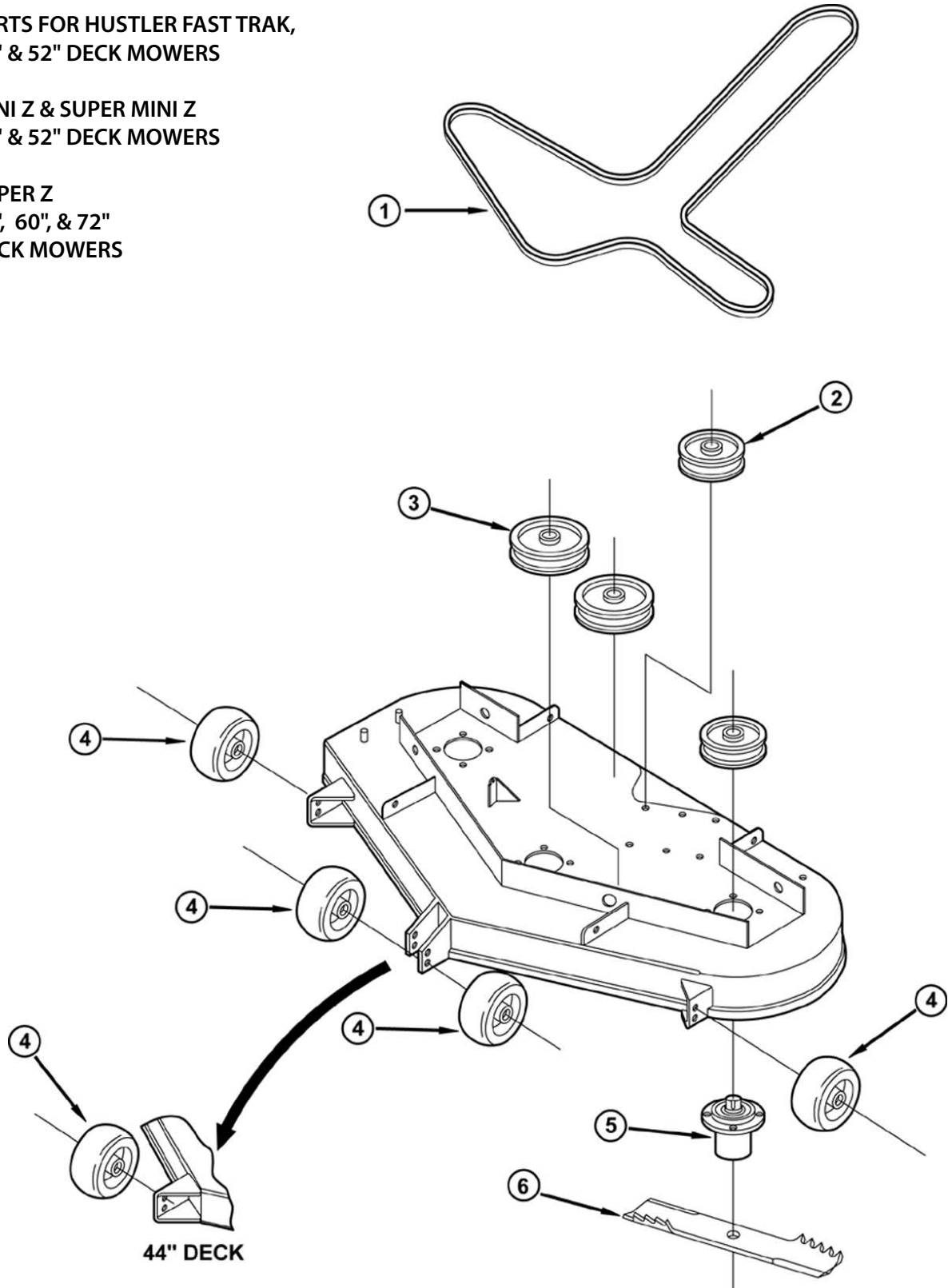


HUSTLER PARTS

PARTS FOR HUSTLER FAST TRAK,
44" & 52" DECK MOWERS

MINI Z & SUPER MINI Z
44" & 52" DECK MOWERS

SUPER Z
52", 60", & 72"
DECK MOWERS



44" DECK

Hustler parts

Ref #	Frederick #	OEM #	ASC #	Description
HUSTLER FAS TRAK				
1	75-985	784322		44 " DECK BELT
	75-756	791335	74741	5/8 x 143" DECK BELT
	75-757	793828		5/8 X 116" DECK BELT
	75-760	793893		5/8 X 127-1/8" DECK BELT
2	78-026	784504		44 & 52" FLAT IDLER PULLEY
3	78-026	784504		44 & 52" FLAT IDLER PULLEY
4	72-311-1	31997		44 & 52" ANTI SCALP WHEEL
5	N/A	N/A		N/A
6	90-205	784256	5903E	44 " REPLACEMENT BLADE
	90-402			44 " HL GATOR MULCHER
	90-206	783753	6043E	52 " REPLACEMENT BLADE
	90-702		60269	52 " HL GATOR MULCHER

MINI Z & SUPER MINI Z				
1	75-990	786483		52 " DECK BELT
	75-755	789388		5/8" x 151-13/64" DECK BELT
	75-756	791335	74741	5/8 x 143" DECK BELT
2	78-022	781856	5649E	44 & 52" FLAT IDLER PULLEY
3	78-023	781385	7261E	44 & 52" FLAT IDLER PULLEY
4	72-311-1	31997		44 & 52" ANTI SCALP WHEEL
5	N/A	N/A		N/A
6	90-205	784256	5903E	44 " REPLACEMENT BLADE
	90-402			44 " HL GATOR MULCHER
	90-206	783753	6043E	52 " REPLACEMENT BLADE
	90-702		60269	52 " HL GATOR MULCHER

SUPER Z				
1		782292		52 " DECK BELT
		781310		60 " DECK BELT
		784207		72 " DECK BELT
2	78-022	781856	5649E	44 & 52" FLAT IDLER PULLEY
3	78-023	781385	7261E	44 & 52" FLAT IDLER PULLEY
4	72-311-1	31997		52" - 60" - 72" ANTI SCALP WHEEL
5		350595		52" - 60" - 72" SPINDLE ASSEMBLY
6	90-207	781898	62947	52 " REPLACEMENT BLADE
	90-702		60269	52 " HL GATOR MULCHER
	90-208	782516	59121	60 " REPLACEMENT BLADE
	90-703			60 " GATOR MAGNUM
	90-209	783977	59081	72 " REPLACEMENT BLADE
	91-772		13720	72 " GATOR MAGNUM

*** NON-Stocked but Previously Special Ordered Item**