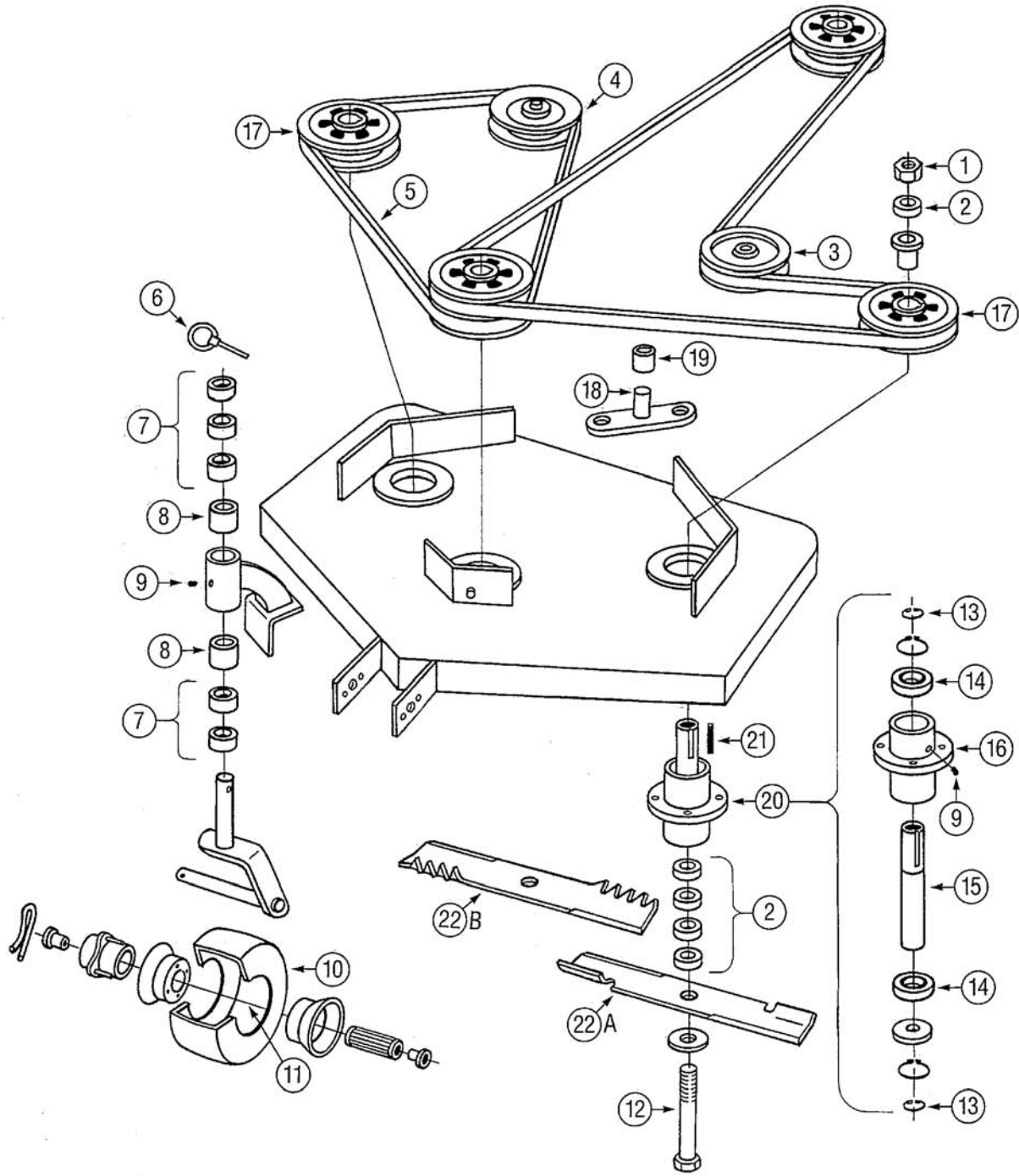


JACOBSEN CREW KING 36" & 48" WALK BEHIND MOWERS



Jacobsen Crew King 36" & 48" Walk Behind Mowers

Ref #	Frederick #	OEM #	ASC #	Description
1	04-125	443126	55807	HEX NUT
2	48-141	552187		SPACER 1/4 "
3	78-300	182519	49321	FLAT IDLER PULLEY
4	78-121		53874	V-IDLER PULLEY
5	75-154	182252		BLADE -BLADE BELT 48 CUT "
6	02-446	361391		LINCH PIN 7/16"
7	09-804	553668		SPACER 1/2"
8	45-030	552172		BEARING
9	02-010-1	182523		GREASE FITTING
10	68-132	182522		410/350-4
11	71-275			TIRE TUBE
12	04-125	182248	55807	BLADE BOLT
13	02-496	552183		SNAP-RING
14	45-401	552184		HEAVY DUTY BEARING
15	82-305	182246		SPINDLE SHAFT
16	N/A	N/A		N/A
17	78-642	182237		SPINDLE PULLEY
18	N/A	N/A		N/A
19	45-125			BRONZE BUSHING
20	82-309			SPINDLE ASSEMBLY
21	80-036	182235		3/16" KEY
22B	90-416			GATOR MULCHER HI-LIFT 3 FOR 48" CUT
	90-418			GATOR MULCHER HI-LIFT 2 FOR 36" CUT "
	490-718		74382	FUSION® GATOR MAGNUM
	90-716			GATOR MAGNUM 48"
	490-716			FUSION® GATOR MAGNUM
	90-718			GATOR MULCHER MAGNUM 2 FOR 36" CUT

*** NON-Stocked but Previously Special Ordered Item**