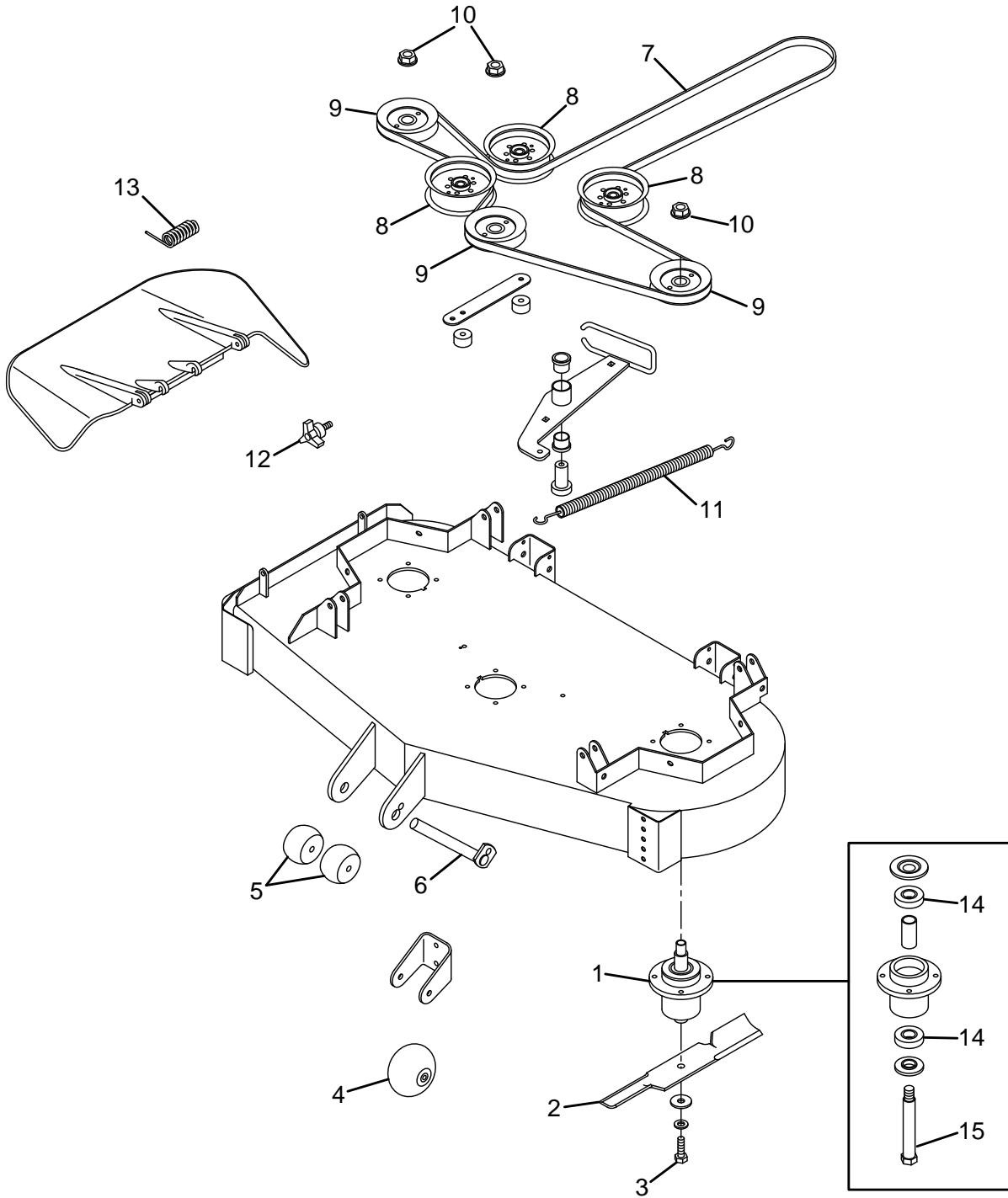


SCAG FREEDOM - Z48-52 DECK MOWER



Scag Freedom - Z48-52 Deck Mower

Ref #	Frederick #	OEM #	ASC #	Description
1		461950		SPINDLE ASSY
2		482877		BLADE 48" CUT 16-1/2"
2		482878		BLADE 52" CUT 18"
3	72-758	04001-121		BLADE BOLT 5/8-11 X 1-1/2
4		481632		DECK WHEEL
5		482295		DECK WHEEL
6		451926		SHAFT
7	75-648	483325		DECK BELT 48 – 5/8" x 140-3/4"
7	75-649	483326		DECK BELT 52" – 5/8" x 148-1/4"
8		483422		IDLER PULLEY 5-3/4 x1-3/4 x3/8 ID "
9		483323		SPINDLE PULLEY 48" CUT 5" X 25MM
9		483324		SPINDLE PULLEY 52 CUT 5-3/4" X 25MM ID
10		04112-06		NUT 3/4-16 SPIRAL LOCK
11		483375		SPRING IDLER
12		481625-01		WING NUT
13		482245		SPRING, DEFLECTOR
14		483303		BEARING
15		43695		SPINDLE SHAFT

*** NON-Stocked but Previously Special Ordered Item**