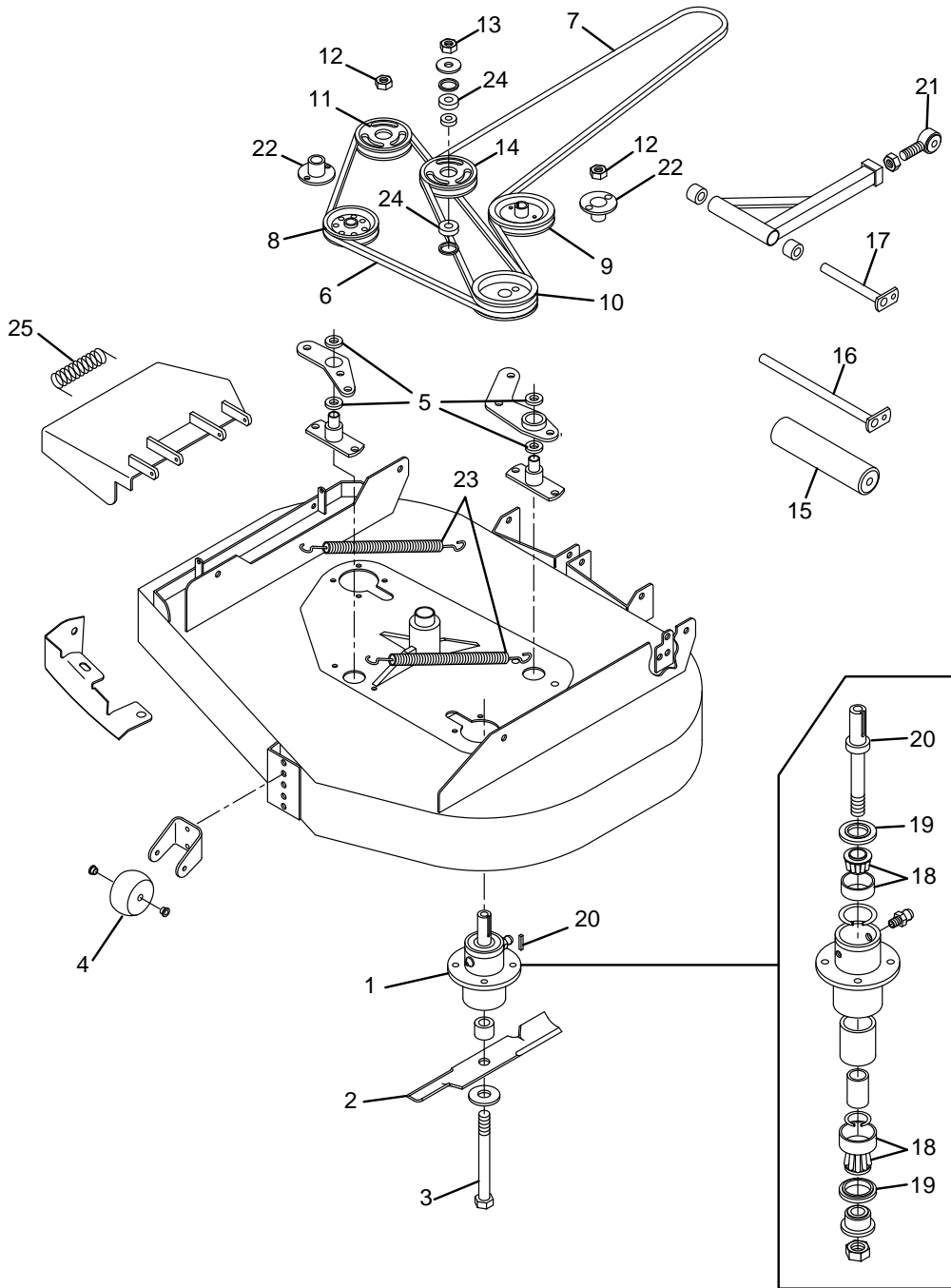


SCAG TIGER CUB 40 DECK MOWER



Scag Tiger Cub 40 Deck Mower

Ref #	Frederick #	OEM #	ASC #	Description
1	82-325	46631	55082	SPINDLE ASSY
2		482129		BLADE
3	04-125	04001-41	55807	BLADE BOLT 5/8-11 X 9-1/2 "
4	72-758	481632		DECK WHEEL
5	45-242	48224	60337	BEARING
6	75-626	482091		SPINDLE BELT - 5/8 x 52-3/4"
7	75-625	482090	73887	DECK DRIVE BELT - 5/8" x 106-3/4"
8	34-107	482217		V-IDLER PULLEY 5-3/4 x 3/4 x 3/8 "
9		481962		IDLER PULLEY 5" OD
10		48923		SPINDLE PULLEY DOUBLE 5-3/4" OD
11		48924		SPINDLE PULLEY
12		04020-09		NUT 5/8-11 UNC
13		04021-07		NUT 1/2-13
14		48062		IDLER PULLEY 5-3/4" OD
15		4803E		DECK ROLLER
16		45944		SHAFT
17		45124C		SHAFT
18	45-002	481022	57124	BEARING AND RACE
19		481024		SEAL, UPPER
19		481025		SEAL, LOWER
20		4329E		SPINDLE SHAFT
21		48763		TURNBUCKLE EYELET 5/8 RH MALE THREAD
22	78-003	48926		PULLEY COLLAR 1-1/8" BORE
23		481597		SPRING, IDLER
24	45-624	48102		BEARING
25		48105C		SPRING, DEFLECTOR

*** NON-Stocked but Previously Special Ordered Item**