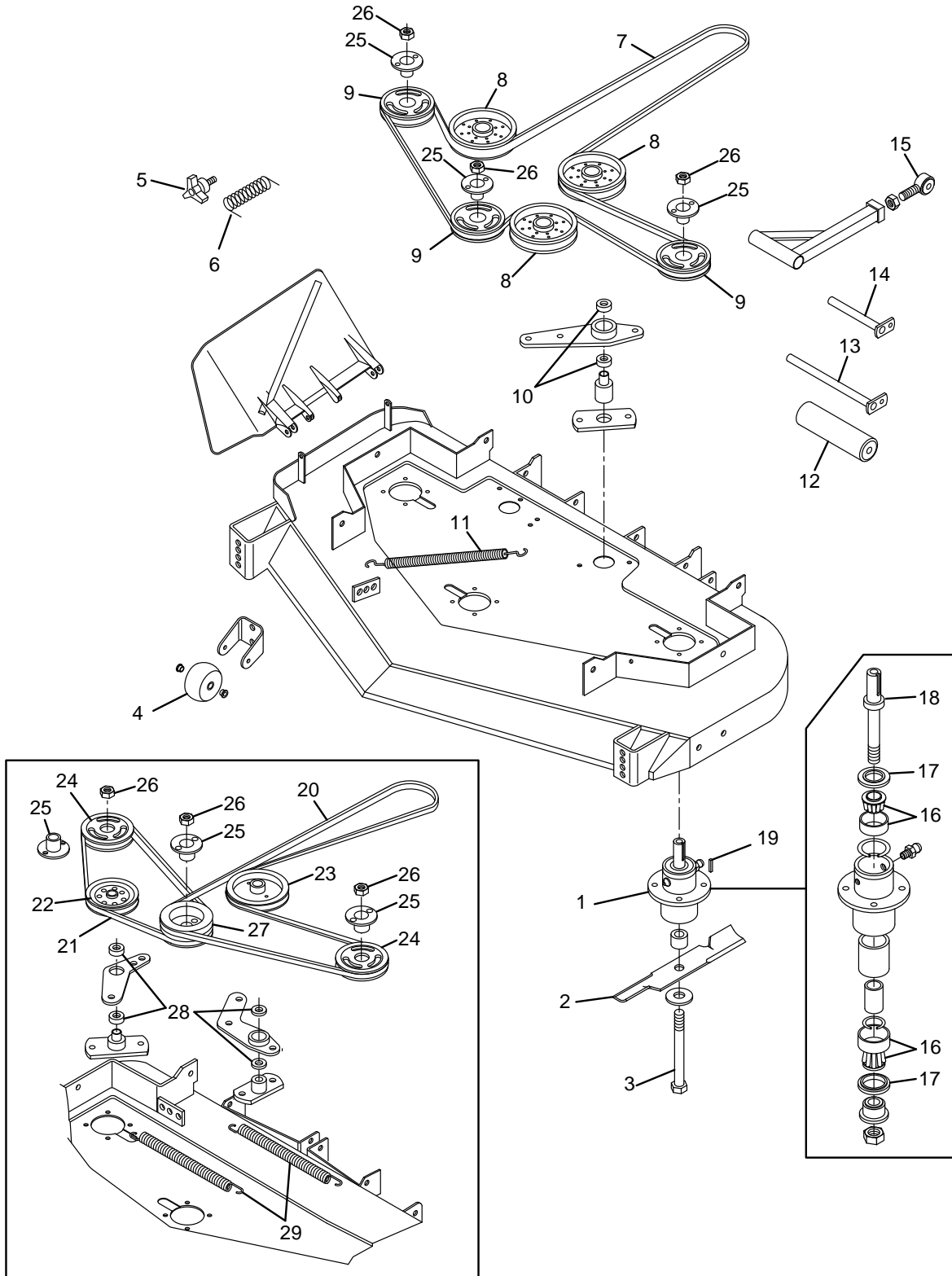


# SCAG TIGER CUB 48A, 52A DECK MOWER



## Scag Tiger Cub 48a, 52a Deck Mower

Ref #	Frederick #	OEM #	ASC #	Description
1	82-325	46631	55082	SPINDLE ASSY
2	91-620	481706	64777	BLADE
2	91-633	481707	53117	BLADE
3	04-125	04001-41	55807	BLADE BOLT 5/8-11 X 9-1/2 "
4	72-758	481632		DECK WHEEL
5		491625-01		WING NUT 3/8-16 SPRING,
6		482245		DEFLECTOR
7	75-682	482529	63384	DECK BELT 48" CUT - 5/8" x 148-1/4"
7	75-629	482530		DECK BELT 52" CUT - 5/8" x 154-7/8"
8		482416		IDLER PULLEY 5"OD
9		482148		SPINDLE PULLEY 48"CUT 4-3/4" OD
9		481435		SPINDLE PULLEY 52" CUT 5-3/8" OD
10	45-242	48224	60337	BEARING
1		482718		SPRING, IDLER
12		48038		DECK ROLLER
13		45944		SHAFT
14		451240		SHAFT
15		48763		TURNBUCKLE EYELET 5/8 RH MALE THREAD
16	45-002	481022	57124	BEARING AND RACE
17		481024		SEAL, UPPER
17		481025		SEAL, LOWER
18		43298		SPINDLE SHAFT
19		04063-08		KEY 1/4 1/4 X 2
20		482137		DECK DRIVE BELT
20	75-681	482281	74328	DECK DRIVE BELT
21		482138		SPINDLE BELT
21		482140		SPINDLE BELT
22	34-107	482217		V-IDLER PULLEY 5-3/4 x 3/4 x3/8
23		481962		IDLER PULLEY 5" OD
24		482148		SPINDLE PULLEY 48"CUT 4-3/4" OD
24		481435		SPINDLE PULLEY 52" CUT 5-3/8 OD
25	78-003	48926		PULLEY COLLAR 1-1/8" BORE
26		04020-09		NUT 5/8-11 UNC
27		482149		SPINDLE PULLEY DOUBLE 48"CUT 4-3/4" OD
27		482150		SPINDLE PULLEY DOUBLE 52" CUT 5-3/8" OD
28	45-242	48224	60337	BEARING

**\* NON-Stocked but Previously Special Ordered Item**