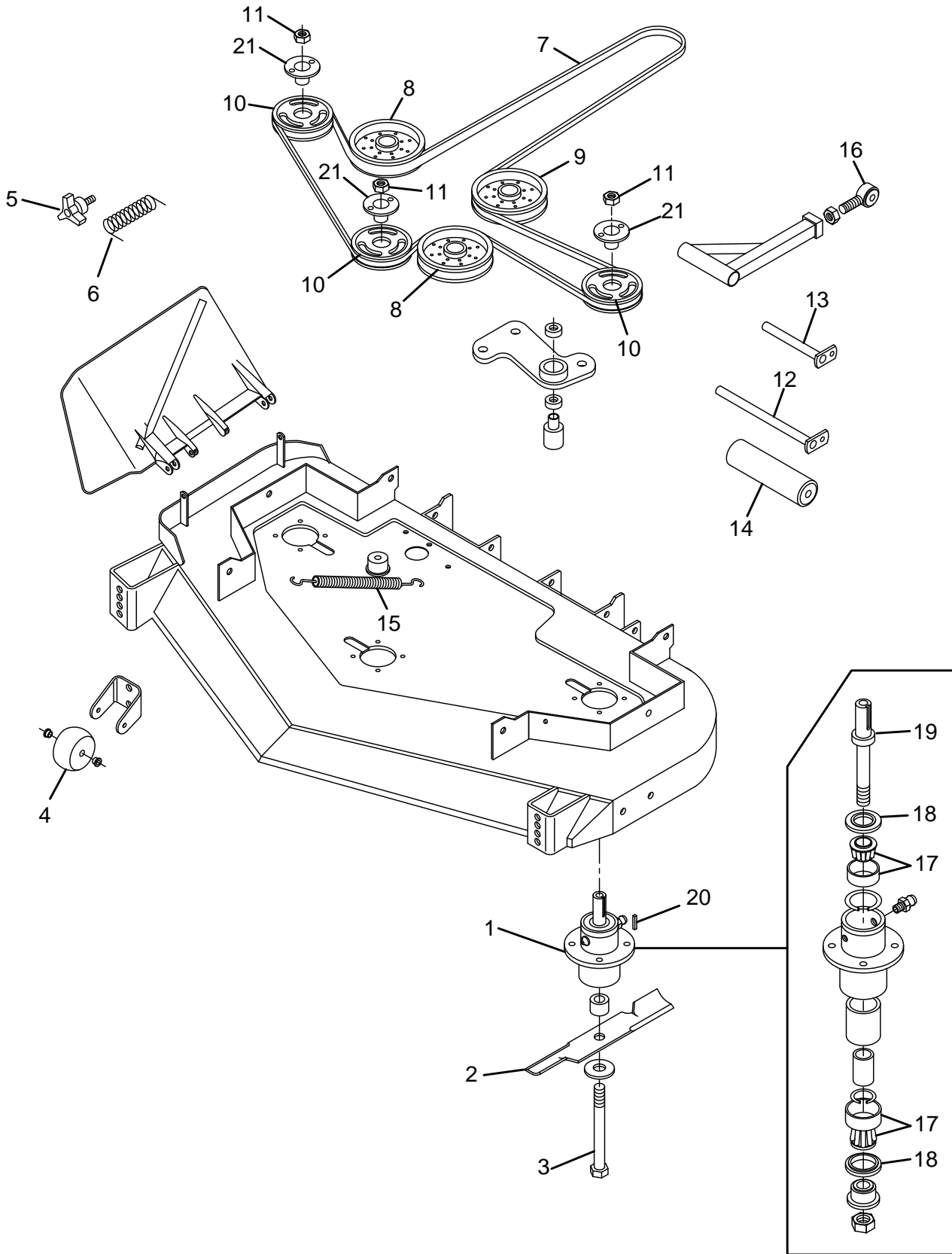


SCAG WILDCAT 52A, 61A DECK MOWER



Scag Wild Cat 52A, 61A Deck Mower

Ref #	Frederick #	OEM #	ASC #	Description
1	82-325	461663	55082	SPINDLE ASSY
2		482878		BLADE 52A
		482879		BLADE 61A
3	04-125	04001-41	55807	BLADE BOLT 5/8-11 X 9-1/2 "
4	72-758	481632		DECK WHEEL
5		491625-01		WING NUT 3/8-16
6		482245		SPRING, DEFLECTOR
7	75-629	482530		DECK DRIVE BELT 52" CUT - 5/8 x 154-7/8"
7	75-631	482652		DECK DRIVE BELT 61" CUT - 5/8" x 175-29/32"
8		482416		IDLER PULLEY 5" OD "
9		482743		IDLER PULLEY 5" OD
10		482647		SPINDLE PULLEY 52" CUT 5-3/8" OD
10		482648		SPINDLE PULLEY 61" CUT 7" OD
11		04020-09		NUT 5/8-11 UNC
12		45944		SHAFT
13		451240		SHAFT
14		48038		DECK ROLLER
15		482718		SPRING, IDLER
16		48763		TURNBUCKLE EYELET 5/8 RH MALE THREAD
17	45-002	481022	57124	BEARING AND RACE
18		481024		SEAL, UPPER
18		481025		SEAL, LOWER
19		43588		SPINDLE SHAFT
20	78-003	04063-08		KEY 1/4 1/4 X 2
21		48926		PULLEY COLLAR 1-1/8" BORE
22		482295		DECK WHEEL 61" CUT
23		45944		SHAFT 61" CUT

*** NON-Stocked but Previously Special Ordered Item**