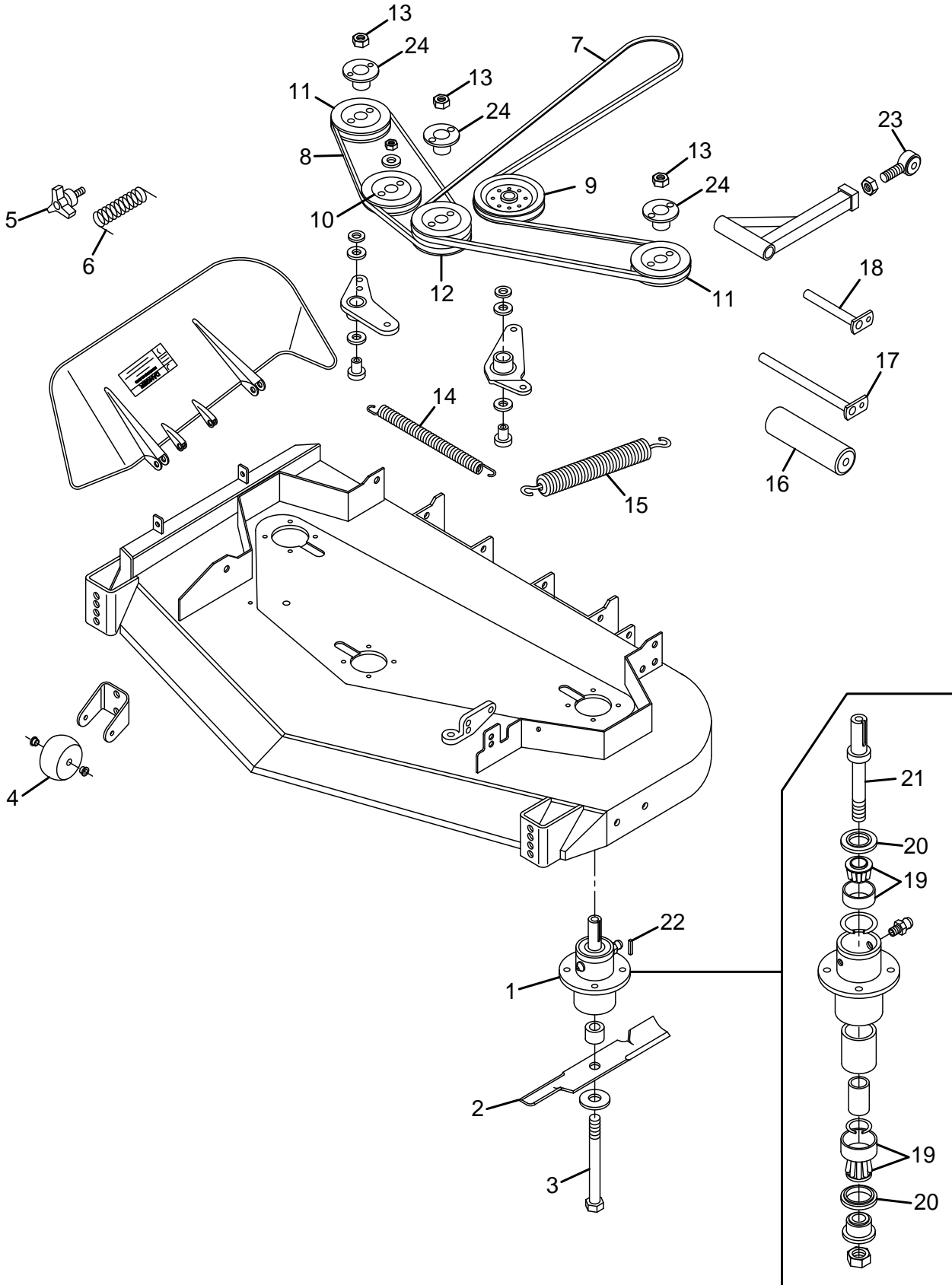


SCAG WILDCAT 52V DECK MOWER



Scag Wild Cat 52V Deck Mower

Ref #	Frederick #	OEM #	ASC #	Description
1	82-325	461663	55082	SPINDLE ASSY
2		482878		BLADE 52V
3		04001-41		BLADE BOLT 5/8-11 X 9-1/2 "
4		481632		DECK WHEEL
5		491625-01		WING NUT 3/8-16
6		482245		SPRING, DEFLECTOR
7	75-645	483242		DECK DRIVE BELT 52" CUT - 5/8 x 125-1/2"
8	75-643	483240		SPINDLE BELT 52" CUT - 5/8" x 54-11/16"
9		483210		IDLER PULLEY 5-3/4 x 2-5/16 x 3/8 "
10	78-121	48181	53874	IDLER PULLEY 5" OD
11		483284		SPINDLE PULLEY 52" CUT 5-3/8" OD
12		483285		SPINDLE PULLEY DOUBLE 52" CUT
13		04020-09		NUT 5/8-11 UNC
14		483247		SPRING ,IDLER RH
15		483246		SPRING ,IDLER LH
16		48038		DECK ROLLER
17		45944		SHAFT
18		451240		SHAFT
19	45-002	481022	57124	BEARING AND RACE
20		481024		SEAL, UPPER
20		481025		SEAL, LOWER
21		43589		SPINDLE SHAFT
22	78-003	04063-08		KEY 1/4 1/4 X 2
23		48763		TURNBUCKLE EYELET 5/8 RH MALE THREAD
24		48926		PULLEY COLLAR 1-1/8" BORE

*** NON-Stocked but Previously Special Ordered Item**