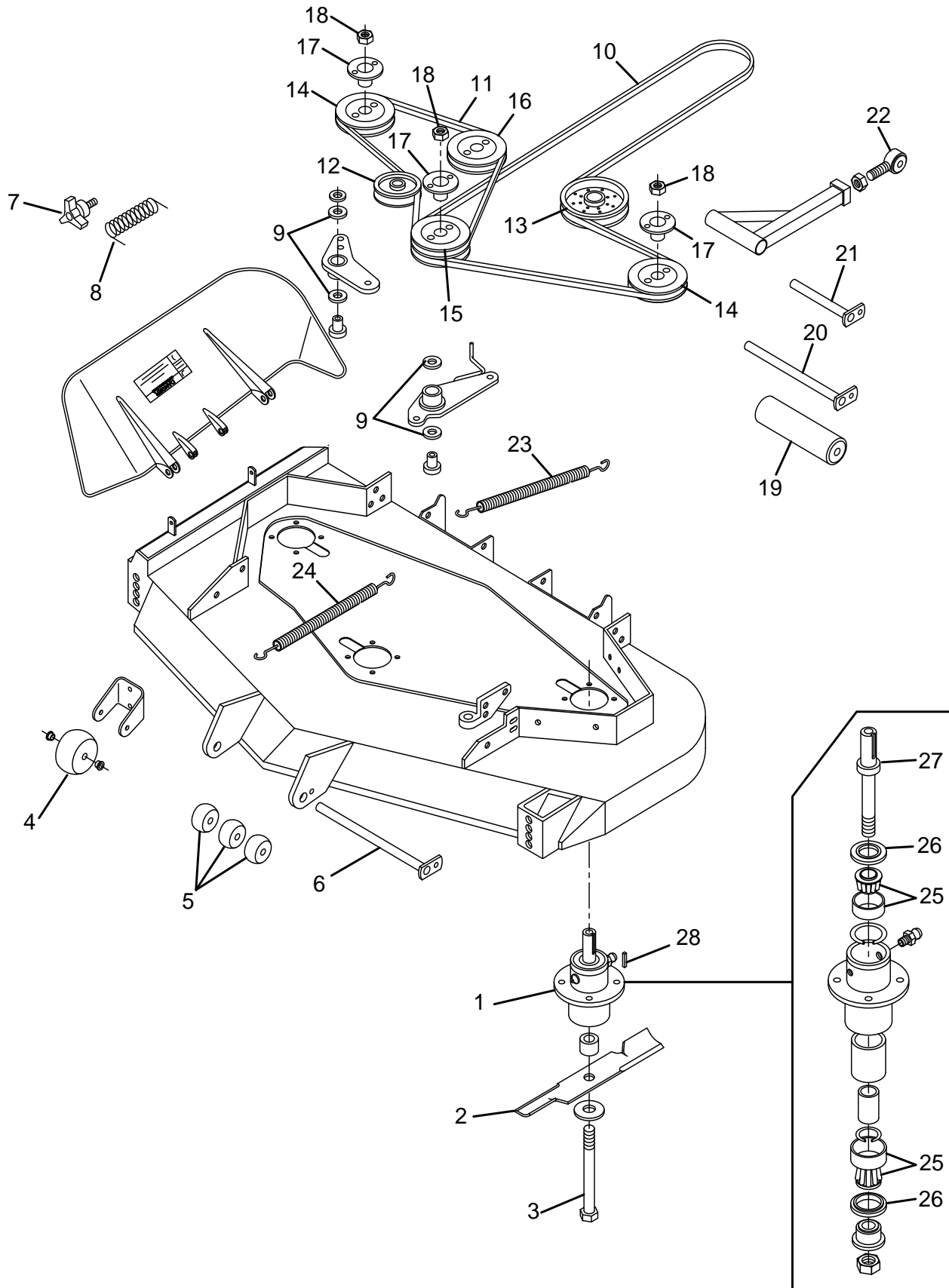


SCAG WILDCAT 61V DECK MOWER



Scag Wild Cat 61V Deck Mower

Ref #	Frederick #	OEM #	ASC #	Description
1	82-325	461663	55082	SPINDLE ASSY
2		482879		BLADE 61V
3	04-125	04001-41	55807	BLADE BOLT 5/8-11 X 9-1/2 "
4	72-758	481632		DECK WHEEL
5		482295		DECK WHEEL
6		45944		SHAFT
7		491625-01		SPRING, DEFLECTOR
8		482245		WING NUT 3/8-16
9	45-242	48224	60337	BEARING
10	75-646	483243		DECK DRIVE BELT - 5/8 x 135-1/2"
11	75-637	483157		SPINDLE BELT - 5/8" x 62-13/64"
12		483415		IDLER PULLEY 3-1/2" OD
13		483210		IDLER PULLEY 5-3/4 x 2-5/16 x 3/8 PULLEY "
14		483286		SPINDLE PULLEY
15		483287		SPINDLE PULLEY DOUBLE
16	78-121	48181	53874	IDLER PULLEY 5"OD
17	78-003	48926		PULLEY COLLAR 1-1/8" BORE
18		04020-09		NUT 5/8-11 UNC
19		48038		DECK ROLLER
20		45944		SHAFT
21		451240		SHAFT
22		48763		TURNBUCKLE EYELET 5/8 RH MALE THREAD
23		483246		SPRING ,LH
24		482797		SPRING,RH
25	45-002	481022	57124	BEARING AND RACE
26		481024		SEAL, UPPER
26		481025		SEAL, LOWER
27		43589		SPINDLE SHAFT
28		04063-08		KEY 1/4 1/4 X 2

*** NON-Stocked but Previously Special Ordered Item**