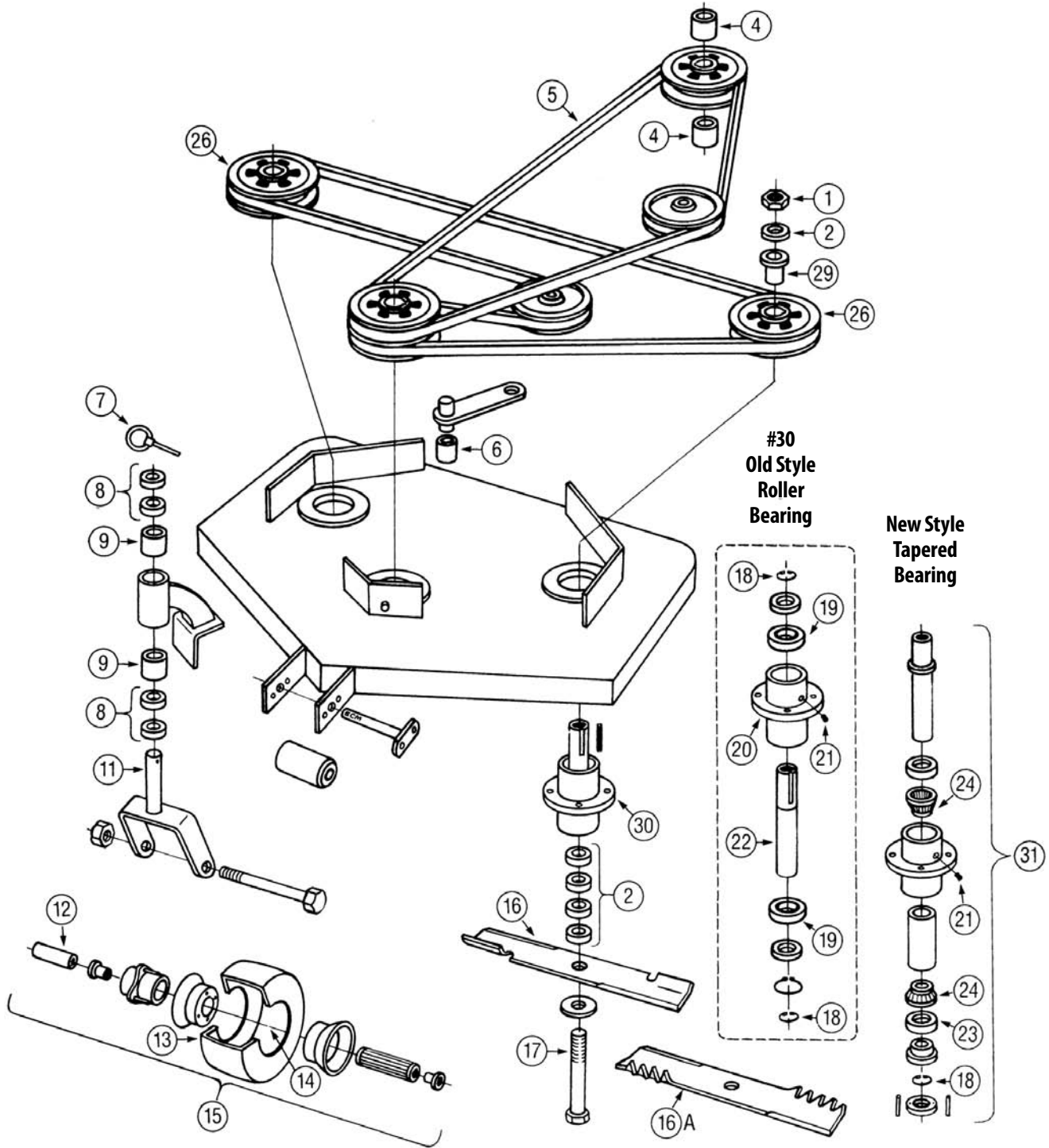


SCAG 61" & 72" HYDRAULIC DRIVE 3-WHEEL RIDER



Scag 61" & 72" Hydraulic Drive 3-wheel Rider

Ref #	Frederick #	OEM #	ASC #	Description
1		04020-09		HEX NUT
2	09-802	43038		BLADE SPACER 1/4 "
4	45-624	48102		BEARING
5	75-594	48359		72 ENGINE TO DECK BELT "
	75-036	48083	5709€	61 ENGINE TO DECK BELT "
6	45-125	48100-05		BRONZE BEARING
7	02-446	04066-01		LINCHPIN 7/16 "
8	09-804	43037-01		SPACER 1/2 THICK
9	45-127	48100-01		BRONZE BEARING
1	48-202	45006		CASTER YOKE
12	45-188	43022	7406€	SPANNER BUSHING
13	68-132	48307-01		TIRE ONLY 410/350-4
14	71-274	48006-03		TIRE TUBE
15	72-795	46079	5121€	COMPLETE WHEEL ASSY
16	91-626	48111	2894€	BLADE 3 FOR 61 CUT "
	491-626		61972	FUSION® BLADE
	91-627	48112	3077€	BLADE 3 FOR 72 CUT "
16A	90-721			GATOR MULCHER MAGNUM 61" CUT "
	90-421			GATOR MULCHER HI-LIFT 61" CUT "
17	04-125	04001-41	55807	HEX BOLT
18	02-496	04050-04		RETAINING RING SMALL
19	45-401	48101-02		HEAVY DUTY SPINDLE BEARING
20	N/A	N/A		N/A
21	02-010-1	48114-02		GREASE FITTING
22	82-305	43001-02		SPINDLE SHAFT
24	45-002	48668	5712€	TAPERED BEARING
26	78-642	48127		SPINDLE PULLEY
	490-721		73655	FUSION® MAGNUM GATOR 61" "
	90-764			GATOR MAGNUM 72" "
30	82-309	46020		COMPLETE SPINDLE ASSY
31	82-325		55082	CAST IRON SPINDLE ASSY

*** NON-Stocked but Previously Special Ordered Item**