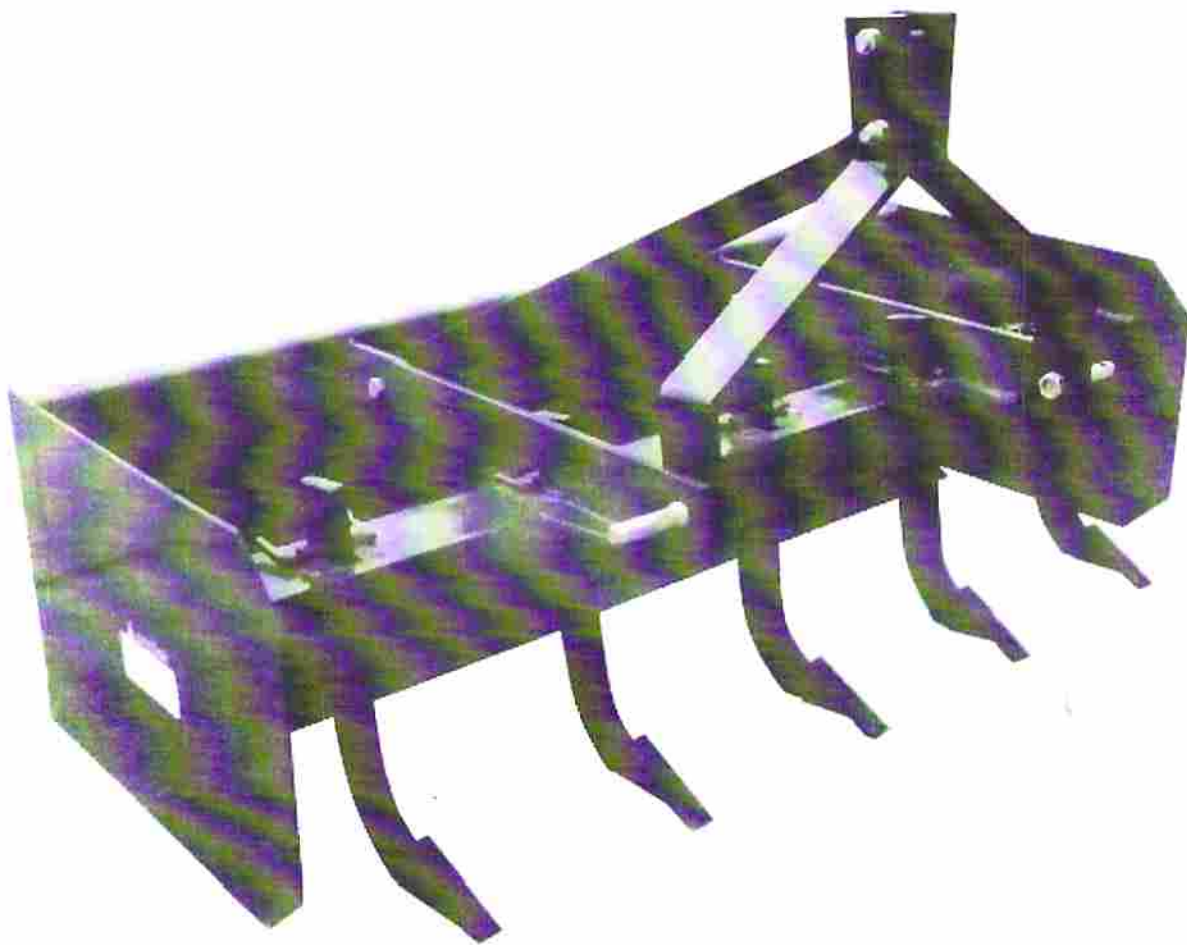


BOX SCRAPER

Operation and Parts Manual



TO THE CUSTOMER

This manual contains valuable information about your new mower. It has been carefully prepared to give you helpful suggestions for operating, adjusting and servicing.

Keep this manual in a convenient place for quick and easy reference. Study it carefully, only by proper care and operation can you expect to receive the service and long life designed and built into this box scraper.

It is the owner's and/or operator's responsibility to...

1. Read and understand the information contained in this manual.
2. Operate, lubricate, assemble and maintain the equipment in accordance with all instructions and safety procedures in this manual.
3. Inspect the equipment and replace or repair any parts that are damaged or worn which could cause damage, wear to other parts, or cause a safety hazard.

Caution!

The following safety precautions should be thoroughly understood before attempting to begin assembling this machine.

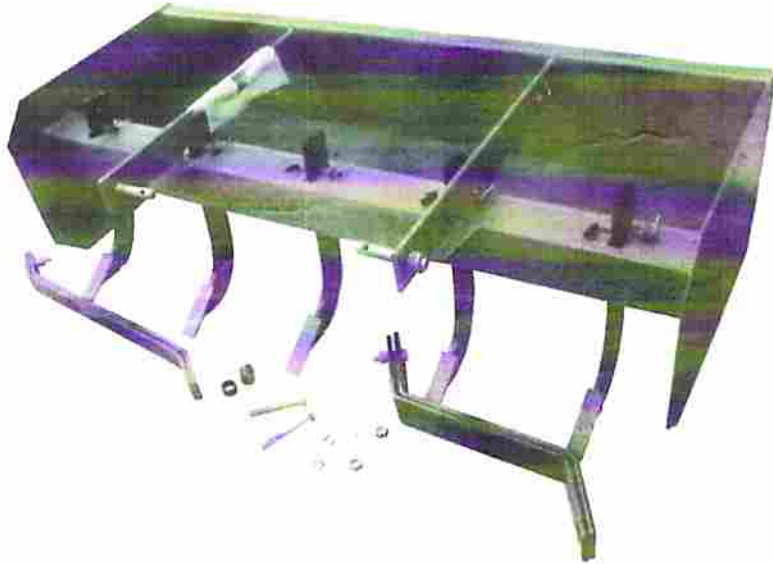
1. Select an area for assembly that clean and free of any debris which might cause persons working on the assembly to trip.
2. Do not lift heavy parts or assemblies. Use crane jack, tackle, fork trucks or other mechanical device.
3. Never put hands, or any part of body, under blocked up assemblies if at all possible.
4. After completing assembly, thoroughly inspect the machine to be sure that all nuts, bolts, hydraulic fittings or any other fastened assemblies have been thoroughly tightened.
5. Before operating equipment--If you have any questions regarding the proper assembly or operations, contact your dealer or the manufacturer.

Important Safety Information!

1. Working with unfamiliar equipment can lead to careless injuries, read this manual and the manual for your tractor, before assembly or operating, to acquaint yourself with the machine. It is the box scraper owner's responsibility, if this machine is used by any other person other than yourself, is loaned or rented, to make certain that the operator is instructed in safe and proper use.
2. The use of this equipment is subjected to certain hazards which can not be protected against by mechanical means or product design. All operators of this equipment must read and understand this entire manual, paying particular attention to safety and operating instructions, prior to using. If there is something in this manual you do not understand, ask your supervisor, or your dealer, to explain it to you.
3. Most accidents occur because of neglect or carelessness. Keep all helpers and bystanders twenty-five (25') from an operating box scraper. Only properly trained people should operate this machine.
4. Personal protection equipment including safety glasses, safety shoes, and gloves are recommended during assembly, installation, operation, adjustment, maintaining, repairing, removal, or moving the box scraper.
5. Never place any part of your body where it would be in danger if movement should occur during assembly, installation, operation, maintaining, repairing, removal, or moving the box scraper.
6. Before you operate the box scraper, check over all pins, bolts and connections to be sure all are securely in place, replace any damaged or worn parts immediately.
7. Do not allow anyone who is not familiar with the safety rules and operation instructions to use this box scraper.

ASSEMBLY

1. Take all the components out from the packing crate.



2. Assemble the top links (Part No. 6) and braces (Part No. 7) with the main frame weldment.



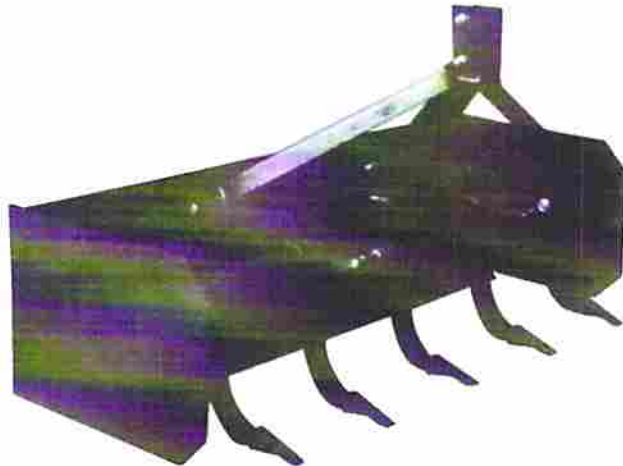
Brace assembly



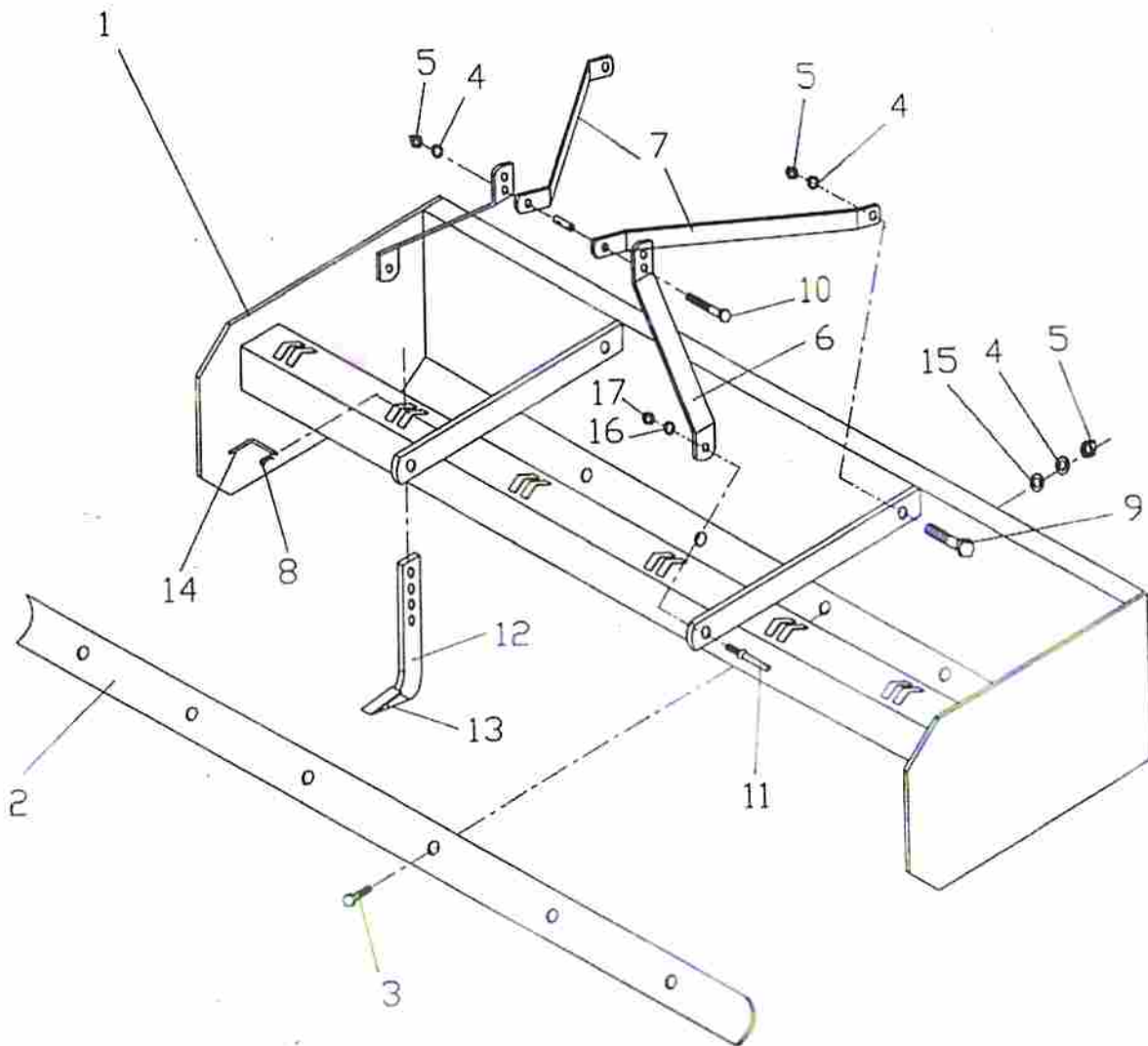
Lift arm assembly



Top assembly



BOX SCRAPER PARTS DIAGRAM & LIST



PART#	DESCRIPTION	Q'TY
1	Main Frame	1
2	Blade	2
3	Carriage Bolt M16x40	4':8, 5':10, 6':12
4	Lock Washer 16	4':11, 5':13, 6':15
5	Nut M16	4':11, 5':13, 6':15
6	Top Link	2
7	Strap, Tie	2
8	Hair Clip Pin	4':4, 5':5, 6':6
9	Bolt M16 x 60	2
10	Bolt M16 x 110	1
11	Hitch Pin	2
12	Shank, Scarifier	4':4, 5':5, 6':6
13	Replaceable Wear Tip	4':4, 5':5, 6':6
14	Pin, Lock	4':4, 5':5, 6':6
15	Flat Washer 16	4':8, 5':10, 6':12
16	Lock Washer 22	2
17	Nut M22 x 1.5	2