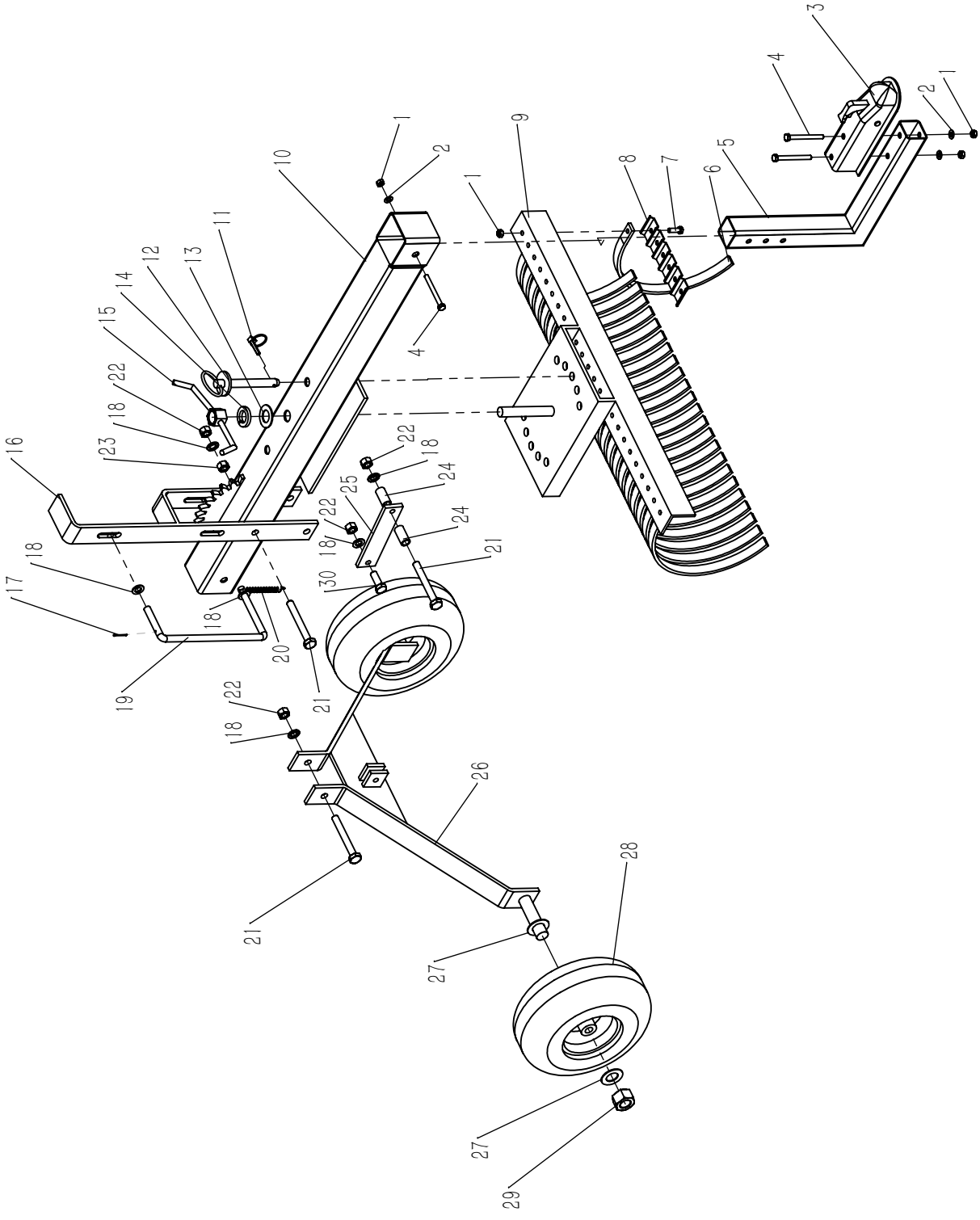


LANDSCAPE RAKE WITH WHEEL PARTS BREAKDOWN



LANDSCRAPE RAKE WITH WHEEL PARTS LIST

REF NO.	DESCRIPTION	Q'TY	REF NO.	DESCRIPTION	Q'TY
1	Lock Nut M10	34	16	Adjusting Device	1
2	Flat Washer Φ 10	4	17	Hair Pin Φ 2	2
3	Trailer Coupler	1	18	Flat Washer Φ 12	6
4	Pin M10*80	3	19	Lock Handle	1
5	Square Tube	1	20	Draw Spring	1
6	Tooth	30	21	Bolt M12*130	3
7	Nut M10*30	30	22	Lock Nut M12	4
8	Tooth Support	5	23	Nut M12	1
9	Tinebar Weldment	1	24	Adjusting Space	2
10	Main Frame Weldment	1	25	Connection Plate	1
11	Lynch Pin Φ 6	1	26	Side Bar	1
12	Draw Pin Φ 19	1	27	Flat Washer Φ 20	4
13	Flat Washer Φ 30	1	28	Wheel	2
14	Spring Washer Φ 30	1	29	Lock Nut M20	2
15	Nut With Wing M30	1	30	Bolt M12*50	1