

**CATALOGO PEZZI DI RICAMBIO  
SPARE PART LIST  
CATALOGUE PIECES DE RECHANGE  
ERSATZTEILLISTE**

FRESATRICI  
ROTARY TILLER  
FRAISE ROTATIVE  
BODENFRÄSEN



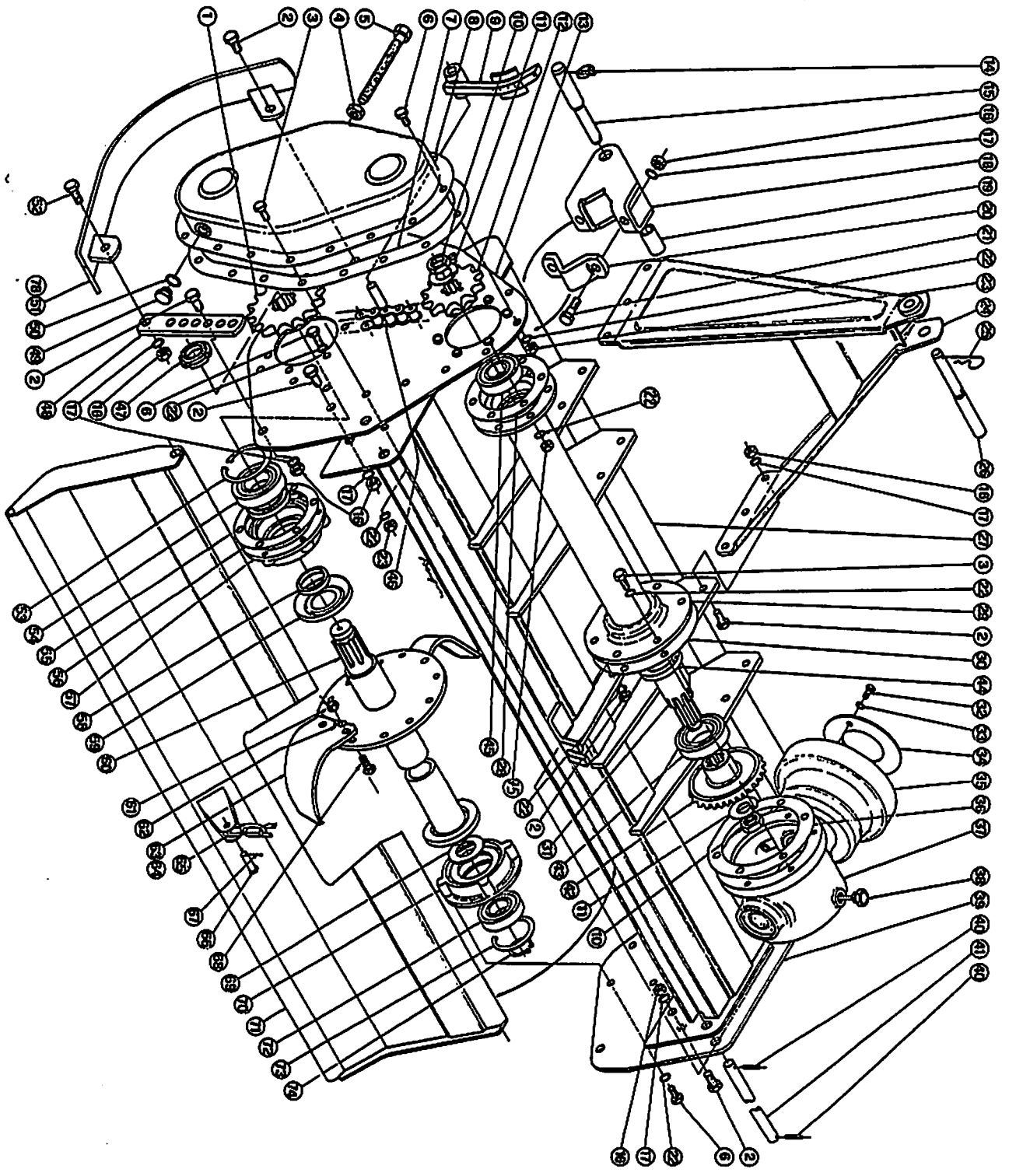
50 ANNI DI TECNOLOGIA AVANZATA  
PER FARSI STRADA IN OGNI CAMPO.

50 YEARS OF ADVANCED TECHNOLOGY  
TO MOVE FORWARD IN ALL SECTOR.

50 ANS DE TECNOLOGIE D'AVANT-GARDE  
POUR AVANCER DANS TOUT LES DOMAINES

50 JAHREN VON FORTSCHRITTLICHE TECHNOLOGIE  
IN ALLE FELDER VORANZUGEHEN





FL

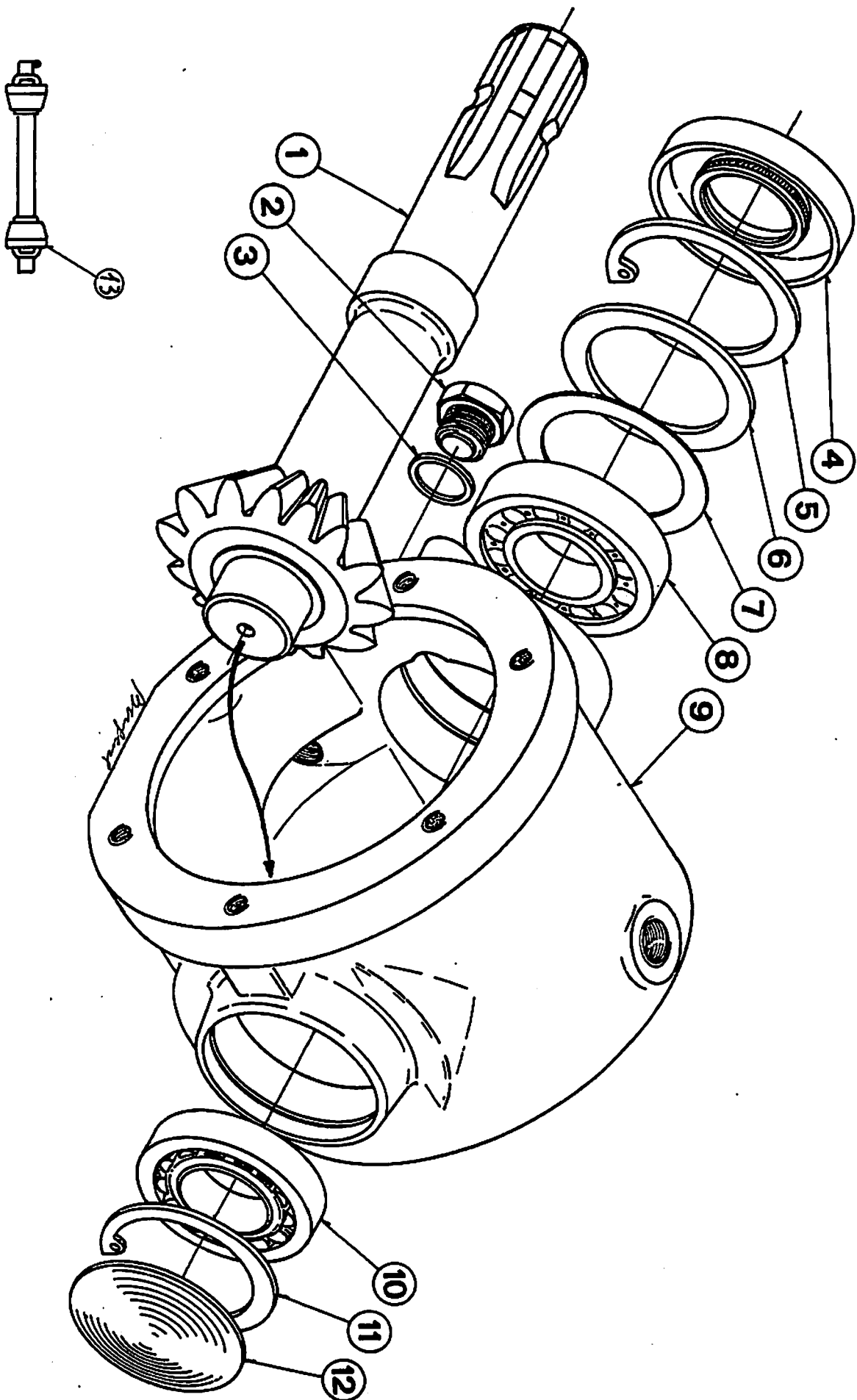
ASC  
30265

ASC  
30266

**FL: FRESATRICI-ROTARY TILLERS-FRAISES ROTATIVES-BODENFRÄSEN**  
**FL0800ASC - FL0900ASC - FL1000ASC - FL1100ASC - FL1200ASC - FL1300ASC - FL1400ASC**

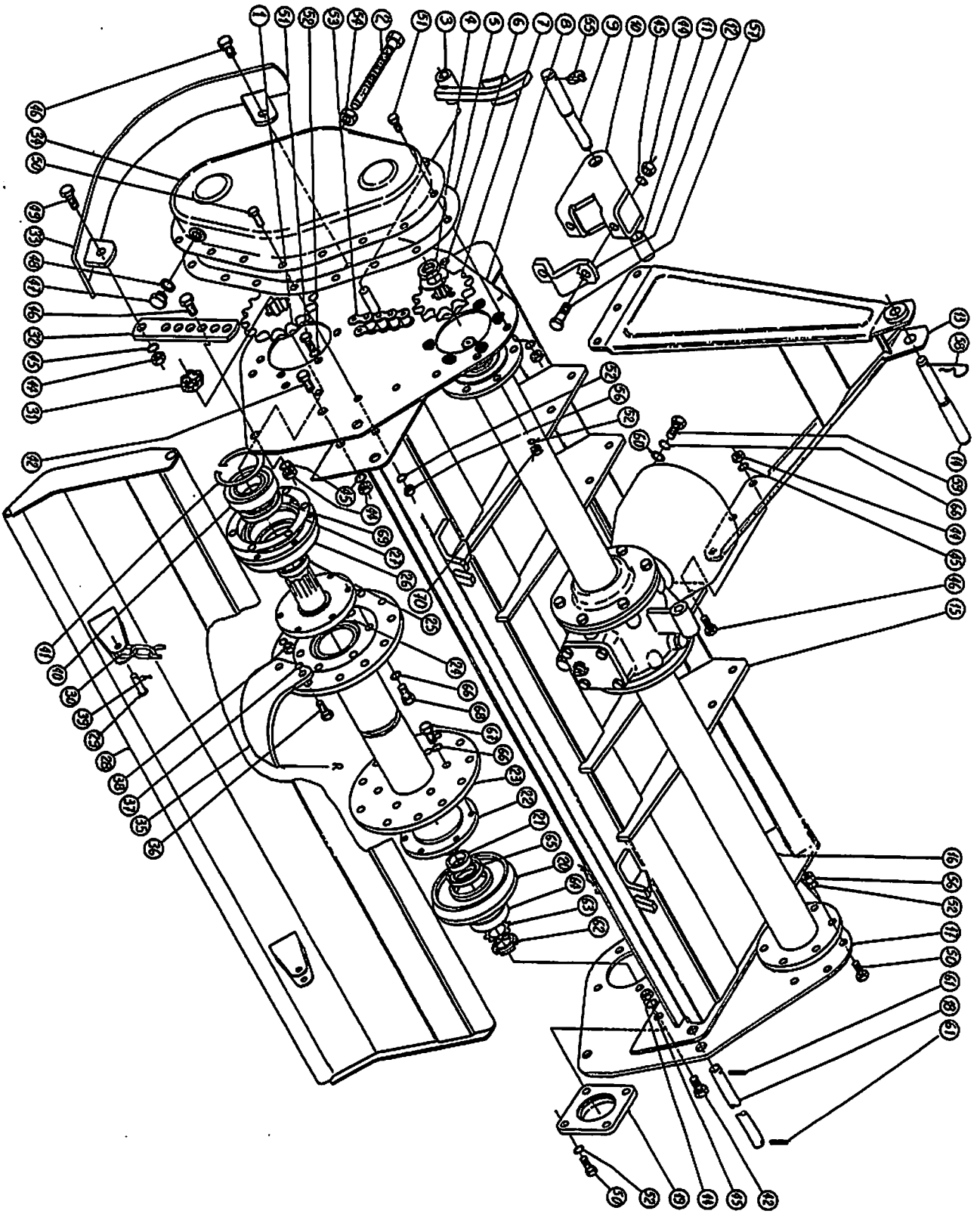
RIF.	CODE	QTY	TYPE	DESCRIZIONE	DESCRIPTION	DESIGNATION	BESCHREIBUNG	RIF.	CODE	QTY	TYPE	DESCRIZIONE	DESCRIPTION	DESIGNATION	BESCHREIBUNG
1	FL05800	1	ALL FL	INGR. CATENA Z = 16	GEAR WHEEL	ROUE D'ENTEE	KETTENRITZEL Z = 16	49	1149	1	ALL FL	TAPPO	PLUG	BOUCHON	STOPFEN
2	1099	19	ALL FL	VITE M12x25	SCREW	VIS	SCHRAUBE M 12x25	50	1213	1	ALL FL	RONDELLA	WASHER	RONDELLE	U-SCHIBE
3	1078	9	ALL FL	VITE M10x25	SCREW	VIS	SCHRAUBE M 10x25	51	FL03700	1	ALL FL	PATINO SINISTRO	SKID LEFT	PATIN GAUCHE	KUFE SX
4	1104	1	ALL FL	CONTRORADO M16	NUT	ECROU	GEGENMUTTER M16	52	1088	2	ALL FL	VITE	SCREW	VIS	SCHRAUBE
5	FL07400	1	ALL FL	VITE SPECIALE	SPECIAL SCREW	VIS SPECIALE	SPEZIALSCHRAUBE	53	1540	1	ALL FL	ANELLO SEEGER	CIRCLIP	CIRCLIP	SEEGER-RING
6	1098	24	ALL FL	VITE M10x20	SCREW	VIS	SCHRAUBE M 10x20	54	1115	1	ALL FL	CUSCINETTO	BEARING	ROULEMENT	KUGELLAGER
7	FL11900	1	ALL FL	GUARNIZIONE	GASKET	JOINT	DICHTUNG	55	1932	1	ALL FL	ANELLO DI TENUTA	OIL SEAL	BAGUE D'ETANCHIETE	DICHTUNGSRING
8	FL06000	1	ALL FL	CARTER LATERALE	SIDE HOUSING	CARTER LATERAL	SEITL. GEHÄUSE	56	BL07300	1	ALL FL	GUARNIZIONE	GASKET	JOINT	DICHTUNG
9	FL07210	1	ALL FL	TENDICATENA	CHAIN STRETCHER	TENDEUR DE CHAIN	KETTENSPIANNER	57	FL01520	1	ALL FL	SOPPORTO SINISTRO	SUPPORT LEFT	PALTER GAUCHE	AUFLAGE SX
10	BL01300	2	ALL FL	DADO M24x1,5	NUT	ECROU	MUTTER M24x1,5	58	BL01500	1	ALL FL	DISTANZIALE	SPACER	ENTRETOISE	DISTANZSTÜCK
11	BL01400	2	ALL FL	RONDELLA DI SICUR.	WASHER	RONDELLE S	ICHERUNGSSCHIBE	59	FL01300	1	ALL FL	PARAPOLVERE	DEFLECTOR	DEFLECTEUR	STAUBKAPPE
12	FL06100	1	ALL FL	INGR. CATENA Z = 12	GEAR WHEEL	ROUE D'ENTEE	KETTENRITZEL Z = 12	60	FL10400	1	FL60	ROTORE	ROTOR	ROTOR	ROTOR
13	FL05910	1	ALL FL	PARETE SINISTRA	SHIELD LEFT	PARDI GAUCHE	ABDECKUNG SX	FL10500	1	FL90	ROTORE	ROTOR	ROTOR	ROTOR	
14	1611	4	ALL FL	SPINOTTO AUTOMAT.	LINCH PIN	GOUILLE AUTOMAT.	AUTOM. SPLINT	FL10600	1	FL100	ROTORE	ROTOR	ROTOR	ROTOR	
15	FL12700	2	ALL FL	PERNO ATTACCO	PIN	TOURILLON	VERBINDUNGSBOLZEN	FL10700	1	FL110	ROTORE	ROTOR	ROTOR	ROTOR	
16	1091	23	ALL FL	DADO	NUT	ECROU	MUTTER	FL10800	1	FL120	ROTORE	ROTOR	ROTOR	ROTOR	
17	1227	23	ALL FL	RONDELLA SCHNORR	WASHER	RONDELLE	U-SCHIBE SCHNORR	FL10900	1	FL130	ROTORE	ROTOR	ROTOR	ROTOR	
18	FL12000	1	ALL FL	SOPPORTO DESTRO	SUPPORT RIGHT	SUPPORT DROITE	HALTERUNG DX	FL19000	1	FL140	ROTORE	ROTOR	ROTOR	ROTOR	
19	FL06600	1	ALL FL	SOPPORTO SINISTRO	SUPPORT LEFT	SUPPORT GAUCHE	HALTERUNG SX	61	1103	36	FL60	DADO	NUT	ECROU	MUTTER
20	FL12900	2	ALL FL	TUBO	BUSH	DOUILLE D'ADAPTAT.	ROHR	48	FL90	DADO	NUT	ECROU	MUTTER		
21	FL06700	2	ALL FL	BRIDA	COUPLING	BRIDE	BEFESTIGUNGSPLATTE	48	FL160	DADO	NUT	ECROU	MUTTER		
22	1944	4	ALL FL	VITE	SCREW	VIS	SCHRAUBE	48	FL110	DADO	NUT	ECROU	MUTTER		
23	1225	41	ALL FL	RONDELLA SCHNORR	WASHER	RONDELLE	U-SCHIBE SCHNORR	60	FL120	DADO	NUT	ECROU	MUTTER		
24	1080	17	ALL FL	DADO	NUT	ECROU	MUTTER	60	FL130	DADO	NUT	ECROU	MUTTER		
25	FL12400	1	ALL FL	TERZO PUNTO	HITCH FRAME	CHEVALET	SÖGELBOLZEN	72	FL140	DADO	NUT	ECROU	MUTTER		
26	1610	1	ALL FL	CLIPS	SPRING CLIP	CLIP	KLIP	62	1205	36	FL60	RONDELLA GROWER	WASHER	RONDELLE	U-SCHIBE GROWER
27	FL13000	1	ALL FL	PERNO TERZO PUNTO	TOP LINK PIN	TOURILLON 3° POINT.	VERB.BOLZEN 3. PUNKT	48	FL90	RONDELLA GROWER	WASHER	RONDELLE	U-SCHIBE GROWER		
	FL04720	1	FL80	TELAIO	FRAME	CHASSIS	RAHMEN	48	FL100	RONDELLA GROWER	WASHER	RONDELLE	U-SCHIBE GROWER		
	FL04620	1	FL90	TELAIO	FRAME	CHASSIS	RAHMEN	48	FL110	RONDELLA GROWER	WASHER	RONDELLE	U-SCHIBE GROWER		
	FL04520	1	FL100	TELAIO	FRAME	CHASSIS	RAHMEN	60	FL120	RONDELLA GROWER	WASHER	RONDELLE	U-SCHIBE GROWER		
	FL04420	1	FL110	TELAIO	FRAME	CHASSIS	RAHMEN	60	FL130	RONDELLA GROWER	WASHER	RONDELLE	U-SCHIBE GROWER		
	FL13710	1	FL120	TELAIO	FRAME	CHASSIS	RAHMEN	72	FL140	RONDELLA GROWER	WASHER	RONDELLE	U-SCHIBE GROWER		
	FL01720	1	FL130	TELAIO	FRAME	CHASSIS	RAHMEN	63	FL17400	9	FL60	ZAPPA DESTRA	BLADE RIGHT HAND	BECHE DROITE	HACKE RECHTS
	FL16620	1	FL140	TELAIO	FRAME	CHASSIS	RAHMEN	12	FL90	ZAPPA DESTRA	BLADE RIGHT HAND	BECHE DROITE	HACKE RECHTS		
28	BL07200	1	ALL FL	GUARNIZIONE	GASKET	JOINT	DICHTUNG	12	FL100	ZAPPA DESTRA	BLADE RIGHT HAND	BECHE DROITE	HACKE RECHTS		
29	BL00500	1	FL80-FL90	TUBO TRASH.	TRANSMISSION TUBE	TUBE DE TRANSMIS.	ANTRIEBSROHR	12	FL110	ZAPPA DESTRA	BLADE RIGHT HAND	BECHE DROITE	HACKE RECHTS		
	FL05200	1	FL100-FL110	TUBO TRASH.	TRANSMISSION TUBE	TUBE DE TRANSMIS.	ANTRIEBSROHR	15	FL120	ZAPPA DESTRA	BLADE RIGHT HAND	BECHE DROITE	HACKE RECHTS		
	BL00600	1	FL120	TUBO TRASH.	TRANSMISSION TUBE	TUBE DE TRANSMIS.	ANTRIEBSROHR	15	FL130	ZAPPA DESTRA	BLADE RIGHT HAND	BECHE DROITE	HACKE RECHTS		
	FL16200	1	FL130	TUBO TRASH.	TRANSMISSION TUBE	TUBE DE TRANSMIS.	ANTRIEBSROHR	18	FL140	ZAPPA DESTRA	BLADE RIGHT HAND	BECHE DROITE	HACKE RECHTS		
30	FL13100	1	ALL FL	SPESORE PER REG.	SHIM	CALE DE REGLAGE	EINSTELLSCHEIBE	64	FL17500	9	FL80	ZAPPA SINISTRA	BLADE LEFT HAND	BECHE GAUCHE	HACKE LINKS
31	FL05500	1	FL80-FL90	ALBERO TRASH.	TRANSMISSION SHAFT	ARBRE DE TRANSMIS.	ANTRIEBSWELLE	12	FL100	ZAPPA SINISTRA	BLADE LEFT HAND	BECHE GAUCHE	HACKE LINKS		
	FL05400	1	FL100-FL110	ALBERO TRASH.	TRANSMISSION SHAFT	ARBRE DE TRANSMIS.	ANTRIEBSWELLE	12	FL110	ZAPPA SINISTRA	BLADE LEFT HAND	BECHE GAUCHE	HACKE LINKS		
	FL06600	1	FL120	ALBERO TRASH.	TRANSMISSION SHAFT	ARBRE DE TRANSMIS.	ANTRIEBSWELLE	15	FL120	ZAPPA SINISTRA	BLADE LEFT HAND	BECHE GAUCHE	HACKE LINKS		
	FL16400	1	FL130	ALBERO TRASH.	TRANSMISSION SHAFT	ARBRE DE TRANSMIS.	ANTRIEBSWELLE	15	FL130	ZAPPA SINISTRA	BLADE LEFT HAND	BECHE GAUCHE	HACKE LINKS		
	1807	2	ALL FL	VITE	SCREW	VIS	SCHRAUBE	18	FL140	ZAPPA SINISTRA	BLADE LEFT HAND	BECHE GAUCHE	HACKE LINKS		
32	1236	2	ALL FL	RONDELLA GROWER	WASHER	RONDELLE	U-SCHIBE GROWER	65	FL07300	1	ALL FL	CATENA PER CARTER	CHAIN	CHAINE	KETTE
33	FL06300	1	ALL FL	ANELLO BLOC. P.	STIFFENING PLATE	ROND. DE RENFORT	VERST.-SCHIBE	66	FL03600	1	ALL FL	PERNO PER CATENA	PIN	AXE	KETTENBOLZEN
34	SP007300	1	ALL FL	PROTEZIONE	GUARD	PROTECTEUR	SCHUTZABDECKUNG	67	1554	1	ALL FL	COPPIGLIA 2x20	SPLIT PIN	GOUILLE FEMME	SPLINT 2x20
35	BL06900	1	ALL FL	GUARNIZIONE	GASKET	JOINT	DICHTUNG	68	1632	36	FL60	VITE	SCREW	VIS	SCHRAUBE
36	FL13200	1	ALL FL	CARTER CENTRALE C.	COMPL. PTO DRIVE	BOITIER PRISE DE FORCE	KURBELGEHÄUSE	48	FL90	VITE	SCREW	VIS	SCHRAUBE		
	1673	1	ALL FL	TAPPO LIV. E SFIATO	BOX	COMPLETE	KOMPLETT	48	FL110	VITE	SCREW	VIS	SCHRAUBE		
39	FL04210	1	ALL FL	PARETE DESTRA	SHIELD RIGHT	PARDI DROITE	WAND DX	60	FL120	VITE	SCREW	VIS	SCHRAUBE		
40	1543	2	ALL FL	SPINA ELASTICA	SPRING DOWEL	GOUILLE ELASTIQUE	ELAST. SPLINT	72	FL140	VITE	SCREW	VIS	SCHRAUBE		
41	FL07900	1	FL80	ASTA PER CARTER	AXLE	TRINGLE DE CAPOT	GEHÄUSEACHSE	69	FL01200	1	ALL FL	PARAPOLVERE	DEFLECTOR	DEFLECTEUR	STAUBKAPPE
	FL08000	1	FL90	ASTA PER CARTER	AXLE	TRINGLE DE CAPOT	GEHÄUSEACHSE	70	FL01400	1	ALL FL	SOPPORTO DESTRO	SUPPORT RIGHT	SUPPORT DROITE	AUFLAGE DX
	FL08100	1	FL100	ASTA PER CARTER	AXLE	TRINGLE DE CAPOT	GEHÄUSEACHSE	71	FL07500	1	FL80	CARTER OSCILLANTE	HOOD	CAPOT	BEWEGL. GEHÄUSE
	FL08200	1	FL110	ASTA PER CARTER	AXLE	TRINGLE DE CAPOT	GEHÄUSEACHSE	FL07600	1	FL90	CARTER OSCILLANTE	HOOD	CAPOT	BEWEGL. GEHÄUSE	
	FL14000	1	FL120	ASTA PER CARTER	AXLE	TRINGLE DE CAPOT	GEHÄUSEACHSE	FL07700	1	FL100	CARTER OSCILLANTE	HOOD	CAPOT	BEWEGL. GEHÄUSE	
	FL08300	1	FL130	ASTA PER CARTER	AXLE	TRINGLE DE CAPOT	GEHÄUSEACHSE	FL07800	1	FL110	CARTER OSCILLANTE	HOOD	CAPOT	BEWEGL. GEHÄUSE	
	FL10500	1	FL140	ASTA PER CARTER	AXLE	TRINGLE DE CAPOT	GEHÄUSEACHSE	FL13010	1	FL120	CARTER OSCILLANTE	HOOD	CAPOT	BEWEGL. GEHÄUSE	
42	BL05700	1	ALL FL	INGRAMAGGIO CONICO	BEVEL GEAR BOX	ROUE CONIQUE	KEGELRADGETRIEBE	FL02410	1	FL130	CARTER OSCILLANTE	HOOD	CAPOT	BEWEGL. GEHÄUSE	
43	1051	1	ALL FL	CUSCINETTO	BEARING	ROULEMENT	KUGELLAGER	FL16610	1	FL140	CARTER OSCILLANTE	HOOD	CAPOT	BEWEGL. GEHÄUSE	
44	1210	1	ALL FL	ANELLO DI TENUTA	OIL SEAL	BAGUE D'ETANCHIATE	DICHTUNGSRING	72	1064	1	ALL FL	CUSCINETTO	BEARING	ROULEMENT	KUGELLAGER
45	1113	1	ALL FL	CUSCINETTO	BEARING	ROULEMENT	KUGELLAGER	73	1240	1	ALL FL	ANELLO SEEGER	CIRCLIP	SEEGER-RING	
46	1373	1	ALL FL	CATENA	CHAIN	CHAINE	KETTE	74	1026	1	ALL FL	ANELLO SEEGER	CIRCLIP	SEEGER-RING	
47	1357	1	ALL FL	GHIERA AUTOBLOC.	NUT	ECROU	S.B. GEWINDRING	75	1220	6	ALL FL	DADO AUTOBLOC.	SELF LOCKING NUT	ECROU AUTOFREIN	MUTTER S.B.
48	FL04300	2	ALL FL	PIASTRA REG. PAT.	ADJUSTING BAR	BARRE DE REGLAGE	EINSTELLPLATTE	78	FL04110	1	ALL FL	PATINO DESTRO	SKID RIGHT	PATIN DROITE	KUFE DX

FL SCATOLA DI TRASMISSIONE - TRANSMISSION BOX  
TRANSMISSION COMPLET - GETRIEBE KOMPLETT



**FL: SCATOLA TRASMISSIONE - TRANSMISSION BOX - TRANSMISSION COMPLET - GETRIEBEKASTEN  
KOMPLETT**

RIF.	CODE	QTY	TYPE	DESCRIZIONE	DESCRIPTION	DESIGNATION	BESCHREIBUNG
1	BL00300	1	ALL FL	PIGNONE	PINON	PIGNON	RITZEL
2	1149	1	ALL FL	TAPPO OLIO	OIL DRAIN PLUG	BOUCHON	ÖLSTOPFEN
3	1213	1	ALL FL	RONDELLA RAME	WASHER	RONDELLE	U-SCHEIBE (CU)
4	1209	1	ALL FL	ANELLO DI TENUTA	OIL SEAL	BAGUE	DICHTRING
5	1240	1	ALL FL	SEEGER	CIRCLIP	CIRCLIP	SEEGER
6	1538	1	ALL FL	RONDELLA SS	WASHER	RONDELLE	U-SCHEIBE SS
7	1799		ALL FL	RONDELLA PS 0.5	WASHER	RONDELLE	U-SCHEIBE PS 0.5
	1216		ALL FL	RONDELLA PS 0.3	WASHER	RONDELLE	U-SCHEIBE PS 0.3
	1215		ALL FL	RONDELLA PS.0.1	WASHER	RONDELLE	U-SCHEIBE PS 0.1
8	1579	1	ALL FL	CUSCINETTO	BEARING	ROULEMENT	KUGELLAGER
9	FL01600	1	ALL FL	SCATOLA INGRAN.	BOX	CARTER	KURBELGEHÄUSE
10	1065	1	ALL FL	CUSCINETTO	BEARING	ROULEMENT	KUGELLAGER -
11	1067	1	ALL FL	SEEGER	CIRCLIP	CIRCLIP	SEEGER
12	FL06200	1	ALL FL	COPERCHIO	COVER	COUVERCLE	ABDECKUNG
13	1638	1	ALL FL	CARDANO PTO	SHAFT	CARDAN	KARDAN
	1853	1	ALL FL	CARDANO CON FRIZIONE	PTO SHAFT WITH CLUCTH	CARDAN AVEC LIMITATEUR	KARDAN MIT KUPPLUNG



FM

ASC 10379

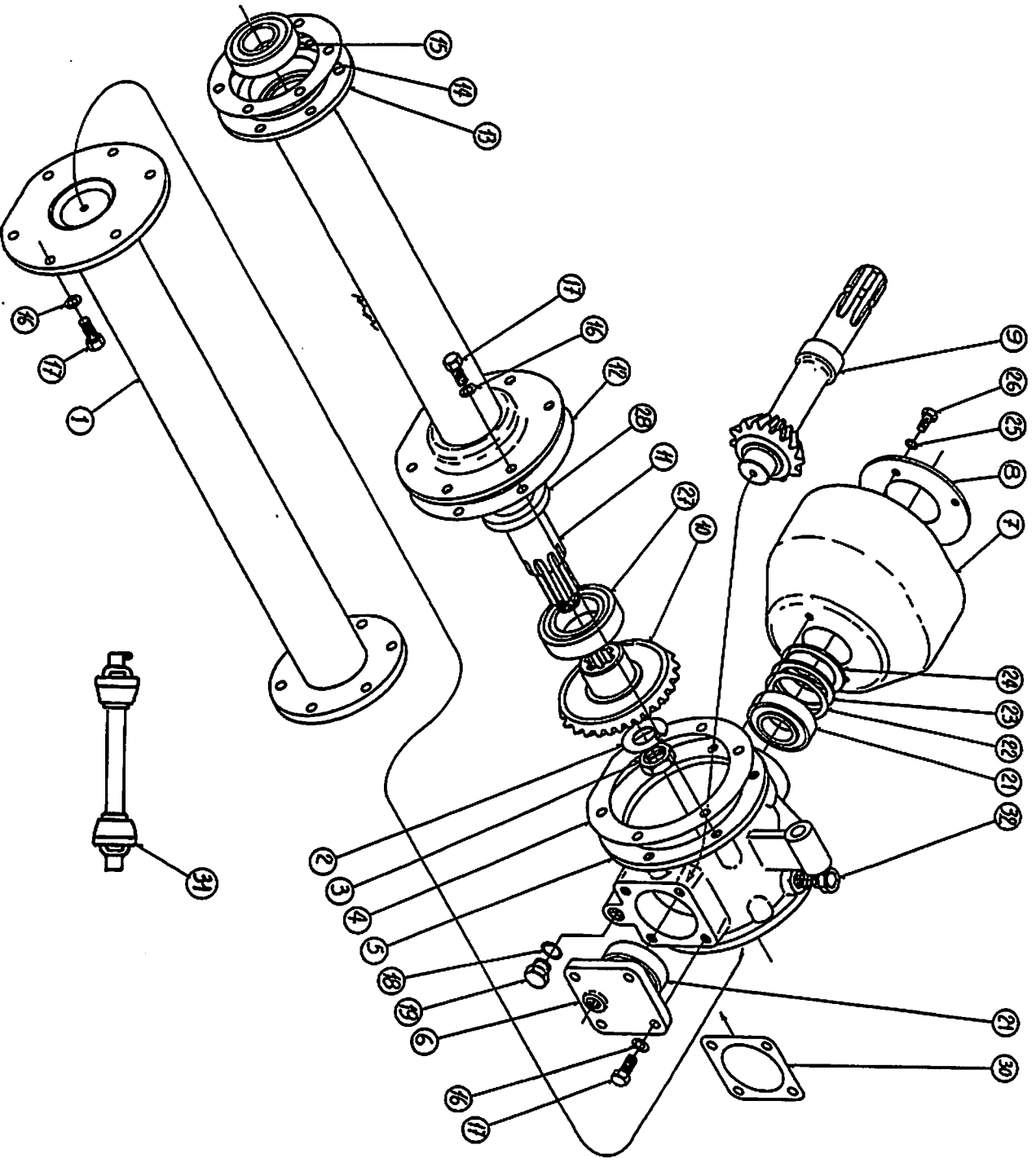
FM1500

ASC  
30266 -  
FM1700

↘ ASC  
 10379  
 ASC ↙  
 30266

FM: FRESATRICI-ROTARY TILLERS-FRAISES ROTATIVES-BODENFRÄSEN							
FM1100ASC - FM1300ASC - FM1500ASC - FM1700ASC							
RIF.	CODE	QTY	TYPE	DESCRIZIONE	DESCRIPTION	DESIGNATION	BESCHREIBUNG
1	BL01500	1	ALL FM	INGRANAGGIO	GEAR WHEEL	ROUE D'ENTEE	RITZEL
2	FL07400	1	ALL FM	VITE TENDICATENA	SCREW	VIS	SCHRAUBE
3	BL06000	1	ALL FM	TENDICATENA	CHAIN STRETCHER	TENDEUR DE CHAINE	KETTENSPIANNER
4	BL01300	1	ALL FM	DADO	NUT	ECROU	MUTTER
5	BL07100	1	ALL FM	GUARNIZIONE	GASKET	JOINT	DICHTUNG
6	BL01400	1	ALL FM	RONDELLA DI SICUR.	WASHER	RONDELLE	SICHERUNGSSCHEIBE
7	BL01200	1	ALL FM	INGRANAGGIO	GEAR WHEEL	ROUE D'ENTEE	GETRIEBE
8	BL01110	1	ALL FM	PARETE SX	SHIELD LEFT	PAROI GAUCHE	SCHUTZBLECH SX
9	FL12700	2	ALL FM	PERNO	PIN	AXE	BOLZEN
10	BL09100	1	ALL FM	ATTACCO SX	SUPPORT	SUPPORT	HALTERUNG SX
	BL03500	1	ALL FM	ATTACCO DX	SUPPORT	SUPPORT	HALTERUNG DX
11	FL12900	2	ALL FM	TUBO	BUSH	DOUILLE D'ADAPT.	ROHR
12	BL03600	2	ALL FM	CAVALLOTTO	SUPPORT	SUPPORT	BÜGELBOLZEN
13	BL05900	1	ALL FM	CAVALLETTO	HITCH FRAME	CHEVALET	U-BÜGEL
14	FL13000	1	ALL FM	PERNO 3° PUNTO	TOP LINK PIN	TOURILLON 3° P.	VERBINDUNGSBOLZEN
15	BL03000	1	FM110	TELAIO	FRAME	CHASSIS	RAHMEN
	BL03100	1	FM130	TELAIO	FRAME	CHASSIS	RAHMEN
	BL03300	1	FM150	TELAIO	FRAME	CHASSIS	RAHMEN
	BL03200	1	FM170	TELAIO	FRAME	CHASSIS	RAHMEN
16	BL18200	1	ALL FM	TRASMISSIONE COMPL.	TRANSMISSION C.	TRANSMISSION C.	GETRIEBE KOMPLETT
17	BL03400	1	ALL FM	PARETE DX	SHIELD RIGHT	PAROI DROITE	SCHUTZBLECH DX
18	BL04400	1	FM110	ASTA	AXLE	TRINGLE	ACHSE
	BL04500	1	FM130	ASTA	AXLE	TRINGLE	ACHSE
	BL04600	1	FM150	ASTA	AXLE	TRINGLE	ACHSE
	BL04700	1	FM170	ASTA	AXLE	TRINGLE	ACHSE
19	BL02900	1	ALL FM	COPERCHIO	COVER	COUVERCLE	ABDECKUNG
20	BL02700	1	ALL FM	SOPPORTO DX	SUPPORT	SUPPORT	HALTERUNG DX
21	BL02800	1	ALL FM	ANELLO	SHEET STEEL	BAGUE	RING
22	BL02600	1	ALL FM	MOZZO	SUPPORT	SUPPORT	NABE
23	BL17300	1	TIPO A110	ROTORE	ROTOR	ROTOR	ROTOR
	BL17400	1	TIPO A130	ROTORE	ROTOR	ROTOR	ROTOR
	BL17500	1	TIPO A150	ROTORE	ROTOR	ROTOR	ROTOR
	BL17600	1	TIPO A170	ROTORE	ROTOR	ROTOR	ROTOR
24	BL01700	1	ALL FM	MOZZO SX	SUPPORT	SUPPORT	NABE SX
25	BL01900	1	ALL FM	ANELLO	SHEET STEEL	DISQUE	RING
26	BL02000	1	ALL FM	SOPPORTO SX	SUPPORT	SUPPORT	HALTERUNG SX
27	BL07300	1	ALL FM	GUARNIZIONE	GASKET	JOINT	DICHTUNG
28	BL04000	1	FM110	CARTER OSCILLANTE	HOOD	CAPOT	BEW. KETTENGEHÄUSE
	BL04100	1	FM130	CARTER OSCILLANTE	HOOD	CAPOT	BEW. KETTENGEHÄUSE
	BL04200	1	FM150	CARTER OSCILLANTE	HOOD	CAPOT	BEW. KETTENGEHÄUSE
	BL04300	1	FM170	CARTER OSCILLANTE	HOOD	CAPOT	BEW. KETTENGEHÄUSE
29	FL03600	2	ALL FM	PERNO PER CATENA	PIN	AXE	KETTENBOLZEN
30	FL07300	2	ALL FM	CATENA PER CARTER	CHAIN	CHAINE	KETTE FÜR GEH.
31	1357	1	ALL FM	DADO SPECIALE	NUT	ECROU	SPEZIALMUTTER
32	BL06400	2	ALL FM	LAMA REGISTRAZIONE	ADJUSTING BAR	BARRE DE REG.	EINSTELLKLINGE
33	BL06100	1	ALL FM	PATTINO SX	SKID LEFT	PATIN GAUCHE	KUFE SX
	BL06200	1	ALL FM	PATTINO DX	SKID RIGHT	PATIN DROITE	KUFE DX
34	BL01800	1	ALL FM	CARTER LATERALE	HOOD	CAPOT	SEITL. GEHÄUSE
35	FL17500	12	FM1100	ZAPPA SX	BLADE	BECHE	HACKE SX
		15	FM1300	ZAPPA SX	BLADE	BECHE	HACKE SX
		18	FM1500	ZAPPA SX	BLADE	BECHE	HACKE SX
		21	FM1700	ZAPPA SX	BLADE	BECHE	HACKE SX
	FL17400	12	FM1100	ZAPPA DX	BLADE	BECHE	HACKE DX
		15	FM1300	ZAPPA DX	BLADE	BECHE	HACKE DX
		18	FM1500	ZAPPA DX	BLADE	BECHE	HACKE DX
		21	FM1700	ZAPPA DX	BLADE	BECHE	HACKE DX
36	1632	1	ALL FM	VITE	SCREW	VIS	SCHRAUBE
37	1205	1	ALL FM	RONDELLA GROWER	WASHER	RONDELLE	U-SCHEIBE
38	1105	1	ALL FM	DADO	NUT	ECROU	MUTTER
39	1556	2	ALL FM	COPIGLIA	SPLIT PIN	GOUPILLE F.	SPLINT
40	1889	1	ALL FM	CUSCINETTO	BEARING	ROULEMENT	KUGELLAGER
41	1241	1	ALL FM	SEEGER	CIRCLIP	CIRCLIP	SEEGER-RING
42	1117	7	ALL FM	VITE	SCREW	VIS	SCHRAUBE
44	1103	23	ALL FM	DADO	NUT	ECROU	MUTTER
45	1224	23	ALL FM	RONDELLA SCHNORR	WASHER	RONDELLE	U-SCHEIBE SCHNORR
46	1117	10	ALL FM	VITE	SCREW	VIS	SCHRAUBE
47	1149	1	ALL FM	TAPPO	PLUG	BOUCHON	STOPFEN
48	1213	1	ALL FM	RONDELLA RAME	WASHER	RONDELLE	U-SCHEIBE (CU)
49	1101	2	ALL FM	VITE	SCREW	VIS	SCHRAUBE
50	1078	13	ALL FM	VITE	SCREW	VIS	SCHRAUBE
51	1098	20	ALL FM	VITE	SCREW	VIS	SCHRAUBE
52	1225	39	ALL FM	RONDELLA SCHNORR	WASHER	RONDELLE	U-SCHEIBE SCHNORR
53	1260	1	ALL FM	CATENA	CHAIN	CHAINE	KETTE
54	1104	1	ALL FM	DADO	NUT	ECROU	MUTTER
55	1611	4	ALL FM	SPINOTTO AUTOM.	LINK PIN	CLIPS AUTOM.	SPLINT
56	1080	23	ALL FM	DADO	NUT	ECROU	MUTTER
57	2010	4	ALL FM	VITE	SCREW	VIS	SCHRAUBE
58	1610	1	ALL FM	CLIPS	LINK PIN	CLIPS	KLIPS
59	1088	2	ALL FM	VITE	SCREW	VIS	SCHRAUBE
60	1229	2	ALL FM	RONDELLA	WASHER	RONDELLE	U-SCHEIBE
61	1383	2	ALL FM	SPINA ELASTICA	SPRING DOWEL	GOULLE ELASTIQ.	ELAST. SPLINT
62	1754	1	ALL FM	GHIERA	NUT	ECROU	GEWINDERING
63	1755	1	ALL FM	RONDELLA SICUREZZA	WASHER	RONDELLE	SICHERUNGSSCHEIBE
64	1890	1	ALL FM	CUSCINETTO	BEARING	ROULEMENT	KUGELLAGER
65	1531	1	ALL FM	ANELLO DI TENUTA	OIL SEAL	BAGUE D'ETANCHE	DICHTUNGSRING
66	1227	14	ALL FM	RONDELLA SCHNORR	WASHER	RONDELLE	U-SCHEIBE SCHNORR
67	1950	6	ALL FM	VITE	SCREW	VIS	SCHRAUBE
68	1099	8	ALL FM	VITE	SCREW	VIS	SCHRAUBE
69	1211	1	ALL FM	ANELLO DI TENUTA	OIL SEAL	BAGUE D'ETANCHEIT	DICHTUNGSRING
70	1220	6	ALL FM	DADO AUTOBLOCC.	NUT	ECROU	MUTTER S.B.

**FM TRANSMISSIONE COMPLETA - TRANSMISSION BOX  
TRANSMISSION COMPLET - GETRIEBE KOMPLETT**

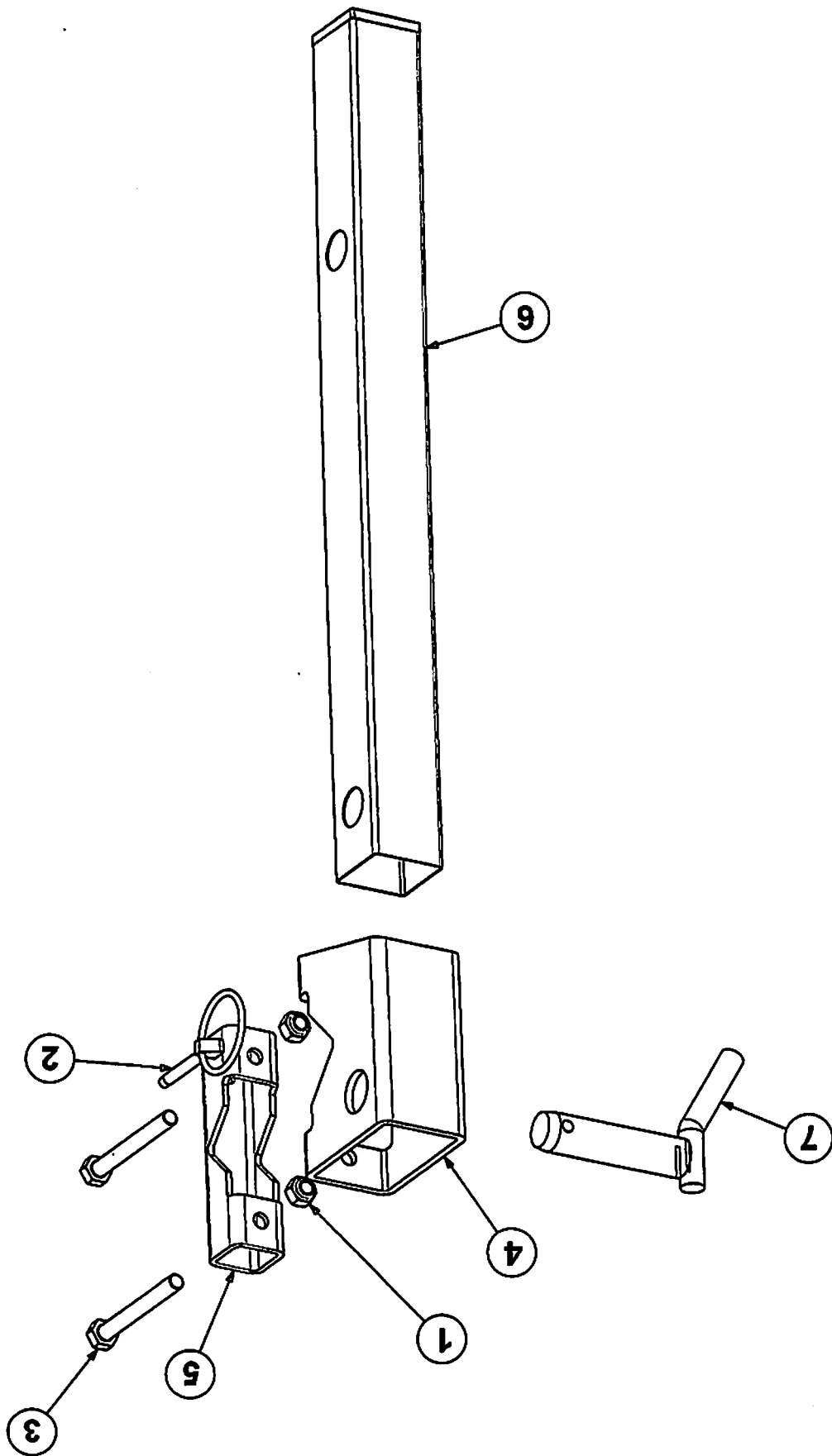




**FM: TRASMISSIONE COMPLETA - TRANSMISSION BOX - TRANSMISSION COMPLET -  
GETRIEBE KOMPLETT**

RIF.	CODE	QTY	TYPE	DESCRIZIONE	DESCRIPTION	DESIGNATION	BESCHREIBUNG
1	BL05800	1	FM170	TUBO DI COLLEGAMENTO	DISTANTIAL TUBE	ENTRETOISE	VERBINDUNGSRÖHR
	BL03900	1	FM150	TUBO DI COLLEGAMENTO	DISTANTIAL TUBE	ENTRETOISE	VERBINDUNGSRÖHR
	BL03800	1	FM130	TUBO DI COLLEGAMENTO	DISTANTIAL TUBE	ENTRETOISE	VERBINDUNGSRÖHR
	BL03700	1	FM110	TUBO DI COLLEGAMENTO	DISTANTIAL TUBE	ENTRETOISE	VERBINDUNGSRÖHR
2	BL01400	1	ALL FM	RONDELLA DI SICUR.	WASHER	RONDELLE SICHERUNGS	U-SCHEIBE
3	BL01300	1	ALL FM	DADO	NUT	ECROU	MUTTER
4	BL06900	1	ALL FM	GUARNIZIONE	GASKET	JOINT	DICHTUNG
5	BL00210	1	ALL FM	SCATOLA INGR.	BOX	BOITIER	GETRIEBEGEHÄUSE
6	BL00400	1	ALL FM	COPERCHIO	COVER	COUVERCLE	DECKEL
7	59007300	1	ALL FM	PROTEZIONE	GUARD	PROTECTION	SCHUTZABDECKUNG
	2248	1	ALL FM	PROTEZIONE PER FRIZIONE	GUARD FOR CLUTCH	PROTECTION POUR FRICTION	KUPPLUNGSSCHUTZ
8	59006400	1	ALL FM	ANELLO DI RINFORZO	DISK	DISQUE	VERST. SCHEIBE
9	BL00300	1	ALL FM	PIGNONE	PINON	PIGNON	RITZEL
10	BL05700	1	ALL FM	PIGNONE	PINON	PIGNON	RITZEL
11	BL06800	1	FM170	ALBERO DI TRASMIS.	TRANSMISSION SHAFT	ARBRE DE TRANSM.	ANTRIEBSWELLE
	BL06700	1	FM150	ALBERO DI TRASMIS.	TRANSMISSION SHAFT	ARBRE DE TRANSM.	ANTRIEBSWELLE
	BL06600	1	FM130	ALBERO DI TRASMIS.	TRANSMISSION SHAFT	ARBRE DE TRANSM.	ANTRIEBSWELLE
	BL06500	1	FM110	ALBERO DI TRASMIS.	TRANSMISSION SHAFT	ARBRE DE TRANSM.	ANTRIEBSWELLE
12	FL13100		ALL FM	SPESSORE	SPACER	ENTRETOISE	DISTANZSCHEIBE
13	BL00700	1	FM170	TUBO DI TRASMIS.	TRANSMISSION TUBE	TUBE DE TRANSM.	ANTRIEBSROHR
	BL00900	1	FM150	TUBO DI TRASMIS.	TRANSMISSION TUBE	TUBE DE TRANSM.	ANTRIEBSROHR
	BL00600	1	FM130	TUBO DI TRASMIS.	TRANSMISSION TUBE	TUBE DE TRANSM.	ANTRIEBSROHR
	BL00800	1	FM110	TUBO DI TRASMIS.	TRANSMISSION TUBE	TUBE DE TRANSM.	ANTRIEBSROHR
14	BL07200	1	ALL FM	GUARNIZIONE	GASKET	JOINT	DICHTUNG
15	1888	1	ALL FM	CUSCINETTO	BEARING	ROULEMENT	KUGELLAGER
16	1225	16	ALL FM	RONDELLA SCHNORR	WASHER	RONDELLE	U-SCHEIBE SCHNORR
17	1078	16	ALL FM	VITE	SCREW	VIS	SCHRAUBE
18	1213	1	ALL FM	RONDELLA RAME	WASHER	RONDELLE	U-SCHEIBE (CU)
19	1149	1	ALL FM	TAPPO	PLUG	BOUCHON	STOPFEN
21	1116	2	ALL FM	CUSCINETTO	BEARING	ROULEMENT	KUGELLAGER
22	1216		ALL FM	RONDELLA PS 0.3	WASHER	RONDELLE	U-SCHEIBE PS 0.3
23	1538	1	ALL FM	RONDELLA SS 3	WASHER	RONDELLE	U-SCHEIBE SS 3
24	1240	1	ALL FM	SEEGER	CIRCLIP	CIRCLIP	SEEGER-RING
25	1236	2	ALL FM	RONDELLA GROWER	WASHER	RONDELLE	U-SCHEIBE GROWER
26	1807	2	ALL FM	VITE	SCREW	VIS	SCHRAUBE
27	1887	1	ALL FM	CUSCINETTO	BEARING	ROULEMENT	KUGELLAGER
28	1210	1	ALL FM	ANELLO DI TENUTA	OIL SEAL	BAGUE	DICHTUNGSRING
30	BL07000	1	ALL FM	GUARNIZIONE	GASKET	JOINT	DICHTUNG
31	1638	1	ALL FM	CARDANO	PTO SHAFT	CARDAN	KARDAN
	1853	1	ALL FM	CARDANO CON FRIZIONE	PTO SHAFT WITH CLUTCH	CARDAN AVEC LIMITEUR	KARDAN MIT KUPPLUNG
32	1673	1	ALL FM	TAPPO SFIATO	PLUG	BOUCHON	ENTLÜFTUNGSSTOPFEN

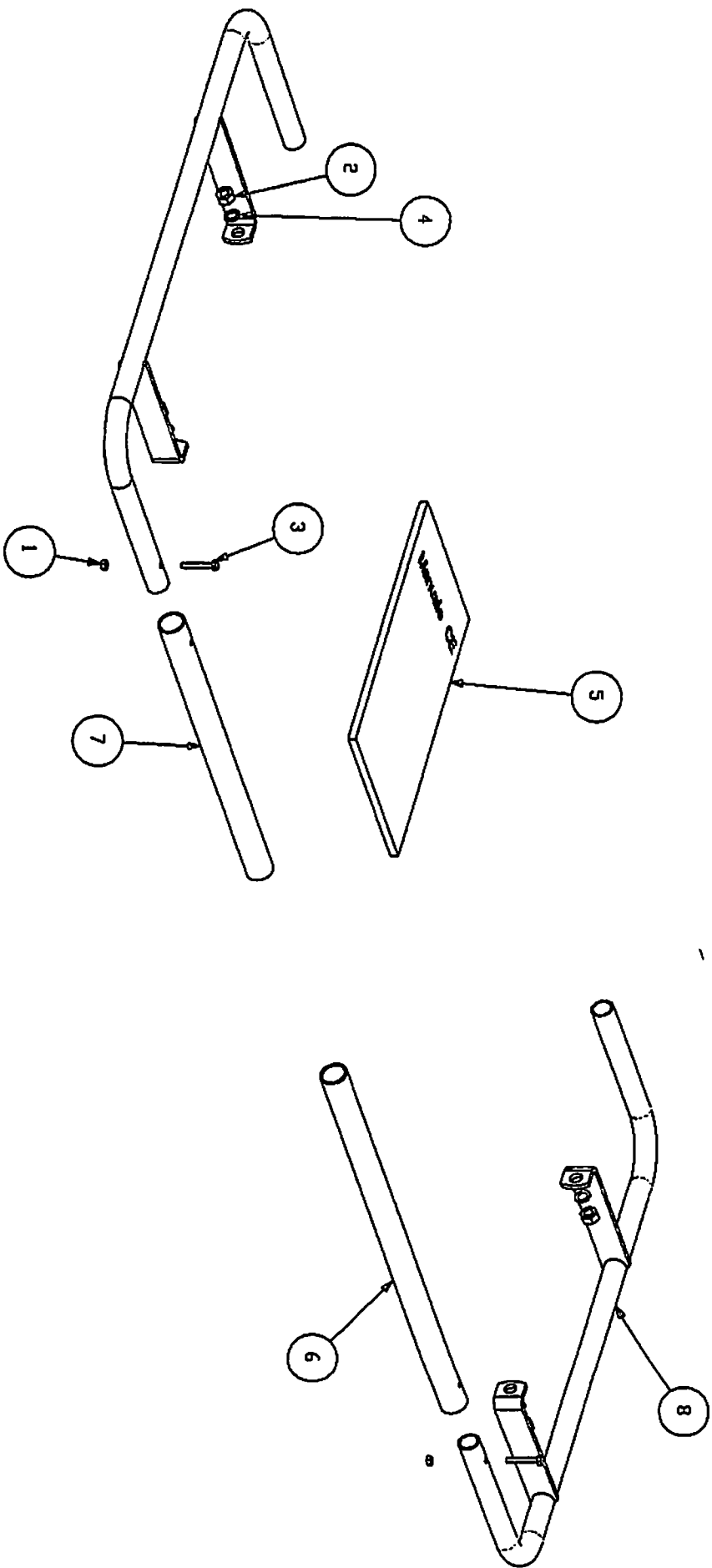
KITPIEDEFLLM per tutte le fresatrici - KITPIEDEFLLM for all rotary tillers  
KITPIEDEFLLM pour toutes les fraises - KITPIEDEFLLM für alle bodenfräsen



**KITPIEDEFLM**

<b>RIF.</b>	<b>CODICE</b>	<b>QTY</b>	<b>DESCRIZIONE</b>	<b>DESCRIPTION</b>	<b>DESIGNATION</b>	<b>BESCHREIBUNG</b>
1	1222	2	DADO	NUT	ECROU	MUTTER
2	1611	1	CLIPS	CLIPS	AGRAFE	KLIPS
3	2349	2	VITE	SCREW	VIS	SCHRAUBE
4	CSP00285	1	SOSTEGNO	SUPPORT	SUPPORT	HALTERUNG
5	CSP00336	1	BRIDA	SUPPORT	SUPPORT	DREHMASCHINENHERZ
6	CSP00337	1	PIEDE DI APPOGGIO	SUPPORT FOOT	PIED D'APPUI	STUETZFUSS
7	XMECC70042	1	PERNO	PIN	AXE	BOLZEN

KITCEFLFM per tutte le frese - KITCEFLFM for all rotary cultivator  
KITCEFLFM pour toutes les fraises rotatives - KITCEFLFM für alle bodenfräsen



### KITCEFLFM

RIF.	CODE	QTY	TYPE	DESCRIZIONE	DESCRIPTION	DESIGNATION	BESCHREIBUNG
1	1081	2	ALL	DADO	NUT	ECROU	MUTTER
2	1091	4	FL	DADO	NUT	ECROU	MUTTER
	1103	4	FM	DADO	NUT	ECROU	MUTTER
3	1212	2	ALL	VITE	SCREW	VIS	SCHRAUBE
4	1227	4	FL	RONDELLA	WASHER	RONDELLE	UNTERLEGSCHIEBE
	1224	4	FM	RONDELLA	WASHER	RONDELLE	UNTERLEGSCHIEBE
5	2246	1	ALL	MANUALE CE	CE HANDBOOK	MANUEL CE	EG-BETRIEBSANLEITUNG
6	BL18400	1	ALL	PROLUNGA DESTRA	RIGHT EXTENSION	RELONGEMENT DX	ANSATZROHR DX
7	BL18500	1	ALL	PROLUNGA SINISTRA	LEFT EXTENSION	RELONGEMENT SX	ANSATZROHR SX
8	F2520600	2	ALL	PROTEZIONE FRESA	CUTTER GUARD	PROTECTION FRAISE	FRÄSENSCHUTZ