

112217

Comfort Glow®



Model:
QE1410
Portable Quartz
Electric Heater

Owner's Manual

WARNING! IF THE INFORMATION IN THIS MANUAL IS NOT FOLLOWED EXACTLY, A FIRE MAY RESULT CAUSING PROPERTY DAMAGE, PERSONAL INJURY OR LOSS OF LIFE.



World Marketing of America, Inc
12256 William Penn Hwy
PO Box 192
Mill Creek, PA 17060

COMFORT GLOW PHONE NUMBER (800) 776-9425
<http://www.worldmktng.com>

FOR YOUR SAFETY

**DO NOT STORE OR USE
GASOLINE OR OTHER
FLAMMABLE VAPORS OR
LIQUIDS IN THE VICINITY OF
THIS OR ANY OTHER
ELECTRIC APPLIANCE**



CALIFORNIA RESIDENTS ONLY-WARNING:
This product contains chemicals including di(2-ethylhexyl)phthalate (DEHP), which is known to the State of California to cause cancer and reproductive harm. For more information, go to: www.P65Warnings.ca.gov

ANSI/UL 1278. MOVABLE AND WALL-OR CEILING HUNG ELECTRIC ROOM HEATERS

CUSTOMER: PLEASE RETAIN THIS MANUAL FOR FUTURE USE

Thank you for purchasing a Comfort Glow portable comfort furnace. For your safety and to insure that you get the full benefit of this powerful heater please take the time to read this guide completely BEFORE using your heater.

<u>Table of contents, Specifications, Safety features</u>	<u>2</u>
<u>Important Safety Instruction</u>	<u>3</u>
<u>What to expect, Results, Suggestions and Helpful Hints</u>	<u>4-5</u>
<u>Operation, Maintenance</u>	<u>5-9</u>
<u>Storage, Troubleshooting</u>	<u>10</u>
<u>Warranty Guidelines</u>	<u>11-12</u>

SPECIFICATIONS

Features:

- 4 Quartz heating tubes
- Remote Control
- Electronic Thermostat
- High & Low Heat Settings
- Lifetime Washable air Filter
- Timer
- Wood Cabinet
- Cool Touch
- Easy Roll Casters
- 1 Year Warranty

Electrical:

- Voltage 120V 60Hz
- Power Consumption:
High: 1500w Low: 750w
(+5% - 10% tolerance)
- Amps: High 12.5 Low: 6.25
- Eco: varies 6.25- 12.5

SAFETY FEATURES

Tip-Over Safety Feature

This heater is equipped with a tip-over safety feature. Once the heater is tipped over, an internal switch will automatically shut the heater off. Once the heater is restored an upright position, the heater will reset. To continue operation, turn on the heater using the supplied remote control or the control panel on the heater.

Overheat Safety Feature

This heater is equipped with a overheat safety feature. When the heaters internal components reach a certain temperature that could cause overheat and possible fire, the heater will automatically shut off.

INTENDED USE: This product is intended only for indoor household or office use.

It is **NOT** intended for industrial or commercial use. **DO NOT USE OUTDOORS**

IMPORTANT SAFETY INSTRUCTIONS

PLEASE READ AND SAVE THESE IMPORTANT SAFETY INSTRUCTIONS when using electrical appliances, basic precautions should always be followed to reduce the risk of fire, electrical shock, and injury to persons including the following:

1. Read all instructions before using this heater.
2. This heater is hot when in use. To avoid burns, do not let bare skin touch hot surfaces. If provided, use handles when moving this heater. Keep combustible materials, such as furniture, pillows, bedding, papers, clothes and curtains at least 3 feet (0.9m) from the heater.
3. Extreme caution is necessary when any heater is used by or near children, pets or invalids and whenever the heater is left operating unattended.
4. Use your heater only in dry environments. This heater is not intended for use in bathrooms, laundry areas and similar indoor locations. Never locate the heater where it may fall into a bathtub or other water container. Do not use your heater outdoors. Do not use near sinks, swimming pools or other damp areas such as flooded basements, garages, etc or anyplace where the heater could come in contact with water.
5. A heater has hot and arcing parts inside. Do not use in areas where gasoline, paint, or flammable liquids are used or stored.
6. To disconnect heater, first turn controls to off, then remove plug from outlet. Always unplug the heater when not in use.
7. Always unplug heater by removing the plug end from the outlet when not in use. Never unplug by pulling on the cord as this can damage the power cord.
8. Do not operate any heater with a damaged cord or plug or after the heater malfunctions, has been dropped or damaged in any manner. Return heater to authorized service facility for examination, electrical or mechanical adjustment or repair.
9. Always plug heaters directly into a wall outlet/receptacle. Never use with an extension cord or relocatable power strip.
10. Do not run cord under carpeting. Do not cover cord with throw rugs, runners, or similar coverings. Arrange cord away from traffic area and where it will not be tripped over.
11. It is normal for the plug to feel warm to touch; however, a loose fit between the AC outlet (receptacle) and plug may cause overheating and distortion of the plug. Contact a qualified electrician to replace loose or worn outlet.
12. Do not insert or allow foreign objects to enter any ventilation or exhaust opening as this may cause an electrical shock or fire, or damage the heater.
13. To prevent a possible fire, do not block air intakes or exhaust in any manner. Do not use on soft surfaces, like a bed, where openings may become blocked.
14. Do not operate heater with any safeguards removed.
15. Use this heater only as described in this manual. Any other use not recommended by the manufacturer may cause fire, electric shock, or injury to persons.
16. This heater draws 12.5 amps during operation. To prevent overloading a circuit, do not plug the heater into a circuit that already has other appliances working.
17. Do not use outdoors.
18. Save these instructions.

WHAT TO EXPECT FROM YOUR COMFORT FURNACE

The Comfort Glow portable comfort furnace is not intended to replace your central heating system nor is it intended to be a sole heating source. Your comfort furnace is intended as a supplemental zone heating source. The goal of this heater is to reduce the total home heating costs by allowing you to turn back the central heat system and provide supplemental heat to the rooms being occupied.

The Comfort glow portable comfort furnace is not an instant room heater. It may take 24-36 hours for your heater to reach maximum efficiency. The portable comfort furnace will warm all the elements in the area being heated (furniture, floors, walls etc.) This will take some time based on the size of the area, insulation ambient temperature and many other factors but once these elements are heated they will help to maintain a more steady room temperature and less on/off cycling of your central heat. You will notice that the comfort furnace does not rely on high speed flow of air. This sensitive flow is by design. The purpose of the built in circulator is to move a large volume of air without creating hot/cold spots in the area being heated, and thereby promoting a more consistent room temperature.

About your Heater:

Quartz infrared heating tubes: Provide comfortable radiant heat like the sun.

Target Temperature function: Heater will operate until target temperature is reached at heaters location. Note: This may vary from the room temperature.

Timer Function: User can program heater to turn-on or turn-off in 1-12 hours.

Eco Setting: In this mode the temperature will cycle between High/Low/Off settings to maintain a temperature at the heater of 20 °C / 68 °F.

Cool down Cycle: fan will continue to operate for approximately 3 minutes after heating elements have turned off.

Safety Devices: See page 2

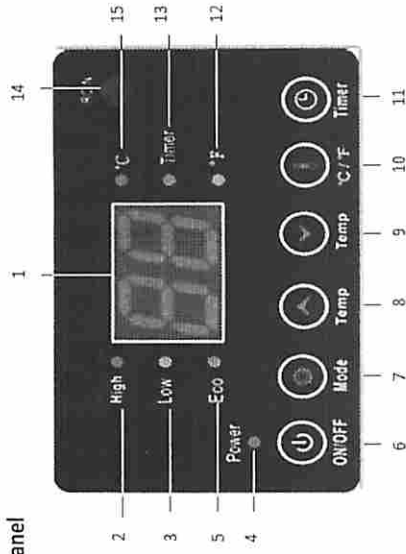
For Best Heating Results please follow these suggestions:

- 1) Close doors to areas you do not wish to heat.
- 2) Locate a three prong outlet along an interior wall if possible. Position the heater so that the warm air can blow unobstructed across the room towards the exterior walls.
- 3) Check your windows and doors for the infiltration of cold air and insulate as needed to avoid heat loss. Rapid heat loss will minimize the effectiveness of your Infrared heater as it would any conventional type heater.
- 4) Keep the area around the heater free of obstructions to insure maximum airflow. Keep electrical cords, drapery, furniture, and other combustibles 3 feet (0.9 M) away from the front of the heater and away from the sides.
- 5) Avoid locating your heater in high traffic areas or in direct sunlight.
- 6) Avoid locating your heater near your central heating thermostat.

Helpful Tips:

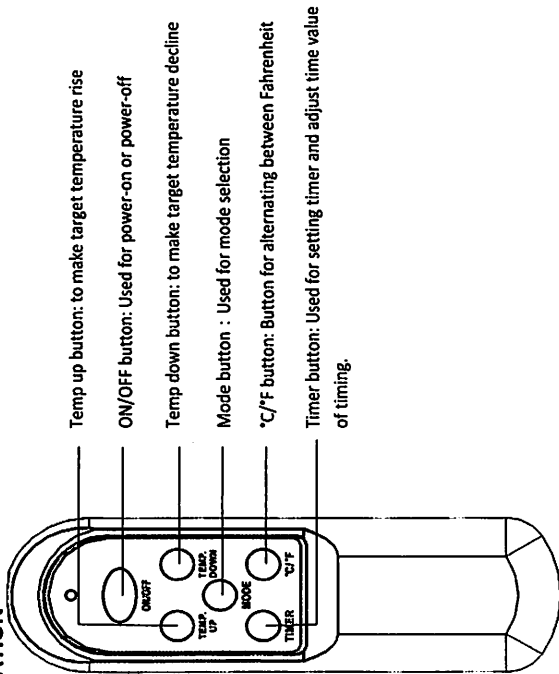
- 1) If heater will not turn on, check main power switch.
- 2) Check air filter, clean as needed.
- 3) If your room has minimal heat loss, and is closed off to cooler areas you may be able to reduce the cost of operation by setting the heater to low after the room has reached a comfortable temperature.
- 4) If remote is lost you can still operate the heater manually.
- 5) Do **not** drag your heater across the room by pulling it by the cord. Store cord on cord wrap when not in use.
- 6) Use the timer to turn off your heater and save energy
- 7) **Cool Down feature:** When the thermostat cycles "off" or when you turn the unit off the fan will continue to run for a few moments to finish distributing the heat and to cool down the heaters heating elements.

Control Panel



- 1) Digital display: Indicates target room temperature or time value according to the timer.
- 2) High mode indication light: Light is on when in high mode.
- 3) Low mode indication light: Light is on when in Low mode.
- 4) Power indication Light: Indicates when the unit is connected to power supply.
- 5) Eco mode: Light is on when in Eco mode.
- 6) ON/OFF switch button: For power on or off.
- 7) Mode button: For selecting running mode.
- 8) Temp up button: For setting temp higher.
- 9) Temp down button: For setting temp lower.
- 10) °C /°F Button: Button for alternating between Fahrenheit and Celsius.
- 11) Timer button: Used for setting the timer and adjusting time value.
- 12) Fahrenheit indicating light
- 13) Timer indication light: The light's on when timer is functioning.
- 14) Signal-receiving window: For receiving remote control signal.
- 15) Celsius indicating light

REMOTE OPERATION



OPERATING INSTRUCTIONS

1. Start and select working mode

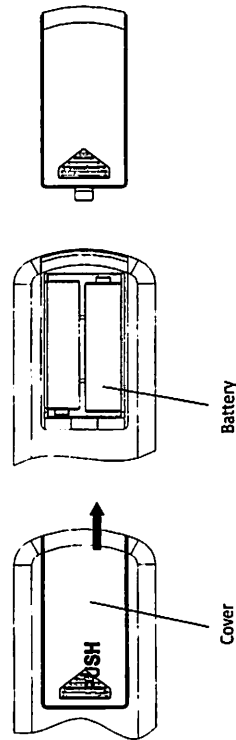
Or	Turn the heater off by pressing the ON/OFF button on the control panel or by pressing the Power button on the supplied remote control.
Or	Note: Powering off the heater will stop the heating process only. The fan will continue to blow for approximately 3 more minutes to allow for the interior components to cool. The fan will then turn off automatically.
	Select a heat Mode Press the MODE button to toggle between the three heat modes.
	High Mode uses 1500W; Low Mode uses 750W. ECO mode is an Economic Energy Saving Function. When ECO mode is chosen, the heater will manage itself from less to more heating power (watts) in an attempt to maintain a constant warm 68 °F (20 °C).

2. Setting Desired Temperature

Or	Adjust the desired temperature by pressing the Up/Down arrows on the control panel or remote control.
	Desired temperature options vary from 59 °F to 86 °F or from 15 °C to 30 °C. Once you have chosen the desired temperature, the heater will remain on until the room temperature increases to the temperature on the digital display. The heater will cycle on and off to maintain the desired room temperature.
	Press °C/°F button to change the display temperature between Fahrenheit and Celsius.
	The Fahrenheit indicator LED will light, when the temperature is displayed in Fahrenheit.
	The Celsius LED will light, when the temperature is displayed in Celsius.



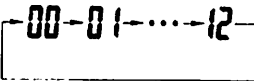

PREPARATION

Place the heater on a firm, level surface and plug into a grounded 120V 60Hz power outlet. And turn on the power switch in the rear of the unit. Only operate heater in upright position with caster wheels attached. Insert 2 AAA batteries into the remote control before using (Batteries Not Included)





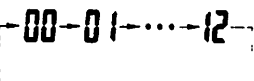

3. Setting the **POWER OFF TIMER** Function

Note: The **Power-Off-Timer** Function will allow for the heater to power OFF after a certain set time, and can only be set while the heater's display is in the "On" position.

 Or  Timer Or TIMER	Turn the heater to the "On" position. Press the Timer button on the heater's control panel or the remote.
	The digital display changes from the "temperature" to the "hours" option for the timer. Continue to press the timer button to change the number of hours you would like the heater to run before powering itself off. The hour options for the timer are from 0 to 12 hrs. (in 1 hr increments).
 -Timer	The selected hour increments will flash for a few seconds, and then revert back to the set desired temperature. The Timer indicator light will remain lit as long as the Timer is set. The heater will power OFF when the internal heater clock counts down the hour increments you set.





4. Setting the **POWER-ON-TIMER** Function

(Note: The **Power-ON-Timer** Function will allow for the heater to power ON after a certain set time, and can only be set while the heater's display is in the "Off" position.

 Or  Timer Or TIMER	Turn the heater to the "Off" position. Press the Timer button on the heater's control panel or the remote.
	The digital display shows the "hours" option for the timer. Continue to press the timer button to change the number of hours you would like the heater's internal clock to count down before powering itself on. The hour options for the timer are from 0 to 12 hrs. (In 1 hr increments).
 -Timer	The Timer indicator light will remain lit as long as the Timer is set. The heater will power itself ON when the internal heater clock counts down the hour increments you set.

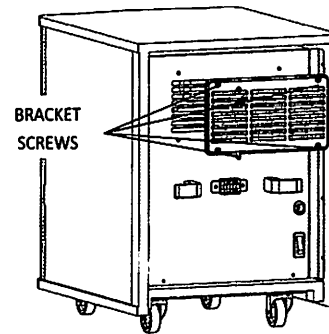
5. Setting electro lock

The Electro Lock can help avoid the heater from being accidentally engaged by children. The locking mechanism can be set in both the ON and OFF modes.

 And  Temp And Temp	Press Temp Up and Temp Down buttons at the same time for 3 seconds. Locking is complete when you hear a beep. When locked, the functions of the control panel and remote will be locked for use.
 And  Temp And Temp	When you need to unlock it, press Temp Up and Temp Down buttons at the same time for 3 seconds. You will hear a beep. The control panel and remote control will become functional again.

MAINTENANCE

1. Turn off the power switch in the rear of the unit.
2. Unplug the unit and let it cool completely.
3. To keep the heater clean, the outer shell may be cleaned with a soft, damp cloth. You may use a mild detergent if necessary. After cleaning, dry the unit with a soft cloth. CAUTION: DO NOT let liquid enter the heater.
4. DO NOT use alcohol, gasoline, abrasive powders, furniture polish, or rough brushes to clean the heater. This may cause damage or deterioration to the surface of the heater.
5. DO NOT immerse the heater in water.
6. Wait until the unit is completely dry before use.
7. Air filter needs cleaning after 3 months of use.



FILTER MAINTENANCE

- 1) **WARNING!** Make sure the power is turned off before performing any maintenance. Turn off heater, by using the main power switch on the rear of the unit and unplug the heater from the wall outlet.
- 2) Remove the filter bracket from the rear of the heater.
- 3) Remove the filter from the bracket.
- 4) Vacuuming will generally clean the filter in most cases.
- 5) If dirt remains, rinse filter with warm tap water through the rear side of the filter (opposite of air intake direction) until clear of dust and debris.
- 6) If the filter is extremely dirty or clogged with grease, you can soak the filter in a mild solution of dish soap and water, and repeat rinsing process.
- 7) Shake filter to remove excess water and lay on clean cloth or paper towels to dry. Do not use heat source to dry filter.
- 8) Replace filter in heater ONLY after it is completely dry.

STORAGE

Store the heater in a cool, dry location when not in use. To prevent dust and dirt build-up, use the original packaging to repack the unit.

If you do not use the heater for a long time, please take out the remote batteries (to prevent corrosion)

TROUBLE SHOOTING

PROBLEM	CORRECTIVE ACTION
1. Heater does not blow warm air	a. The room temperature is higher than the thermostat setting. b. Check to be sure unit is on high setting. c. If the power button on the front of the heater is red but the heater is not operating the safety overheat function may have been triggered. Try pressing the power button. If the heater does not turn on, clear any obstructions from front and rear of unit that may have caused internal overheating. Allow the heater to cool for approximately 10 minutes and then press the power button again.
2. No Power to heater	a. Make sure main switch on rear of unit is switched to on position. b. Over heat safety control activated. Remove blockage from filter and around heater. Unplug heater for 10 to 20 minutes. Unit should then operate normally. c. Check circuit breaker, reset as needed or plug into different outlet. d. Call customer service at 1-800-776-94255 or visit us at www.worldmktng.com

LIMITED WARRANTY:

A limited warranty is extended to the original purchaser of this heater and warrants against malfunction due to manufacturing defects for a period of (1) one year from the date of retail purchase. Please read and follow all details noted below.

CLAIMS HANDLED AS FOLLOWS:

- DO NOT RETURN TO PLACE OF PURCHASE
- Contact our Customer Service Department at 1-800-776-9425. You must have the model number, serial number and date of purchase.
- They will provide you with further instructions, which may include replacement parts, repair or replacement at our option.

CALL 1-800-776-9425 FOR SERVICE (9AM-6PM MON.-FRI.) or EMAIL US AT info@worldmktng.com

DUTIES OF THE OWNER:

This heating appliance must be operated in accordance with the written instructions furnished with this heater. This warranty shall not excuse the owner from properly maintaining this heater in accordance with the written instructions furnished with this heater. A bill of sale, canceled check or payment record must be kept to verify purchase date and establish warranty period. Original carton should be kept in case of warranty return of unit.

WHAT IS NOT COVERED:

1. Damage caused by misuse or use contrary to the owner's manual and safety guidelines.
2. Damage caused by a lack of normal maintenance.
3. Repair by an unauthorized person.
4. Damage caused by connection to an improper voltage.
5. Damaged caused by use outdoors.

LIMITATIONS:

This warranty does not imply or assume any responsibility for consequential damages that may result from the use, misuse, or the lack of routine maintenance of this heating appliance. A cleaning fee and the cost of parts may be charged for appliance failures resulting from lack of maintenance. This warranty does not cover claims, which do not involve defective workmanship or materials. FAILURE TO PERFORM GENERAL MAINTENANCE (INCLUDING CLEANING) WILL VOID THIS WARRANTY.

THIS LIMITED WARRANTY IS GIVEN TO THE PURCHASER IN LIEU OF ALL OTHER WARRANTIES, EXPRESSED OR IMPLIED, INCLUDING BUT NOT LIMITED TO THE WARRANTIES OF MERCHANTABILITY OF FITNESS FOR A PARTICULAR PURPOSE. THE REMEDY PROVIDED IN THIS WARRANTY IS EXCLUSIVE AND IS GRANTED IN LIEU OF ALL OTHER REMEDIES. IN NO EVENT WILL WORLD MARKETING OF AMERICA BE LIABLE FOR INCIDENTAL OR CONSEQUENTIAL DAMAGES.

Some states do not allow limitations on how long an implied warranty lasts, so the above limitation may not apply to you. Some states do not allow the exclusion or limitation of incidental or consequential damages so the above limitation or exclusion may not apply to you.

For your record, staple your sales receipt to this manual and record the following

DATE OF PURCHASE: _____

PLACE OF PURCHASE: _____

SERIAL NUMBER: _____

MODEL NUMBER: _____

Register your warranty at www.worldmktng.com