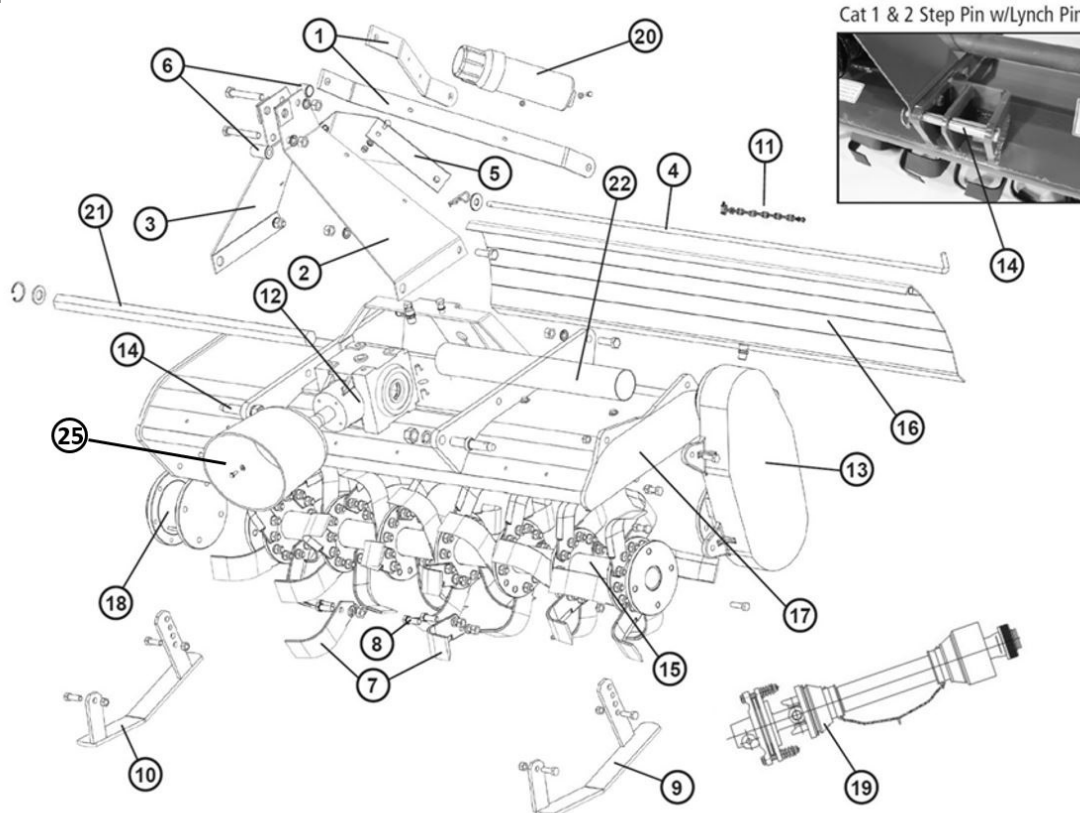


## Rotary Tiller Parts List

### RT205BL,RT206BL, RT207BL

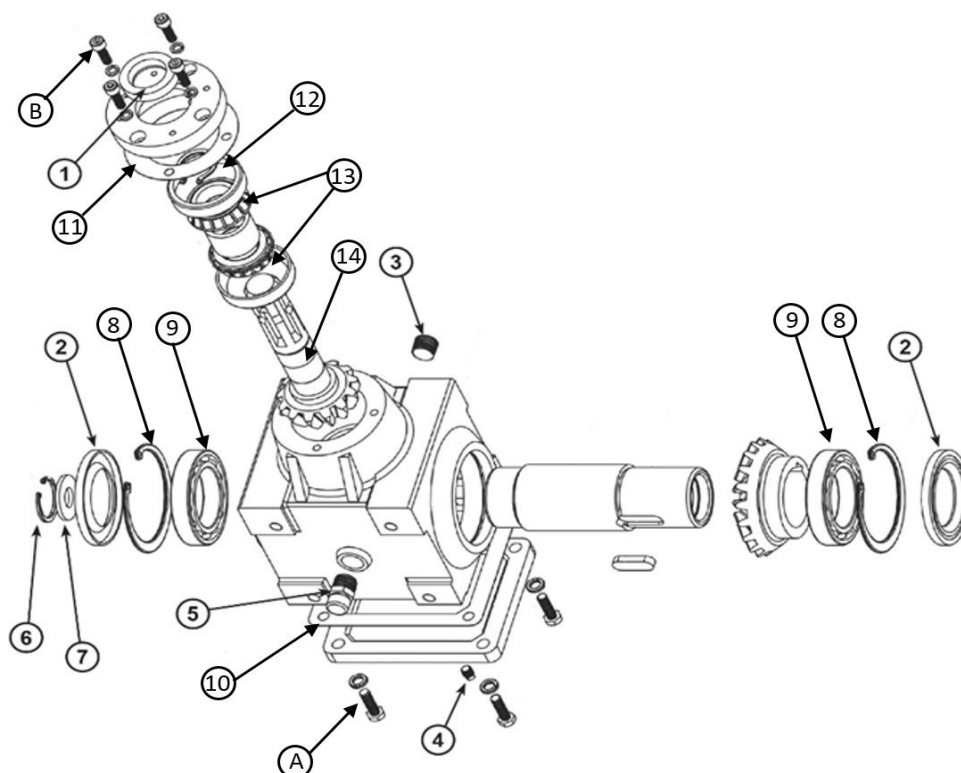


Item #	Part#	Description
1	9000167	Tiller Backstrap w/ Hardware (2pk) (Black) (4',5',6',&7')
2	9000168	Tiller LH Lift Arm w/ Hardware (Black) (4',5',&6')
2a	9000169	Tiller LH Lift Arm w/ Hardware (Black) (7')
3	9000170	Right Hand Lift Arm w/ hardware (black) (4',5',&6')
3a	9000171	Right Hand Lift Arm w/ hardware (black) (7')
4	9000172	Rear Guard Steel Hinge w/ Hardware (black) (4')
4a	9000173	Rear Guard Steel Hinge w/ Hardware (black) (5')
4b	9000174	Rear Guard Steel Hinge w/ Hardware (black) (6')
4c	9000175	Rear Guard Steel Hinge w/ Hardware (black)(7')
5	9000176	Front guard plate w/ Hardware (black) (4',5',6',&7')
6	9000177	Top Link Spacer (black)
6a	9000178	Back Strap Spacer (black)
7	9000012	Right Hand Tine Package w/ Hardware
7a	9000013	Left Hand Tine Package w/ hardware
8	P-P1813	Tine Bolt Package (4')
8a	P-P1814	Tine Bolt Package (5')
8b	P-P1815	Tine Bolt Package (6')
8c	7TTBP	Tine Bolt Package (7')

# PARTS

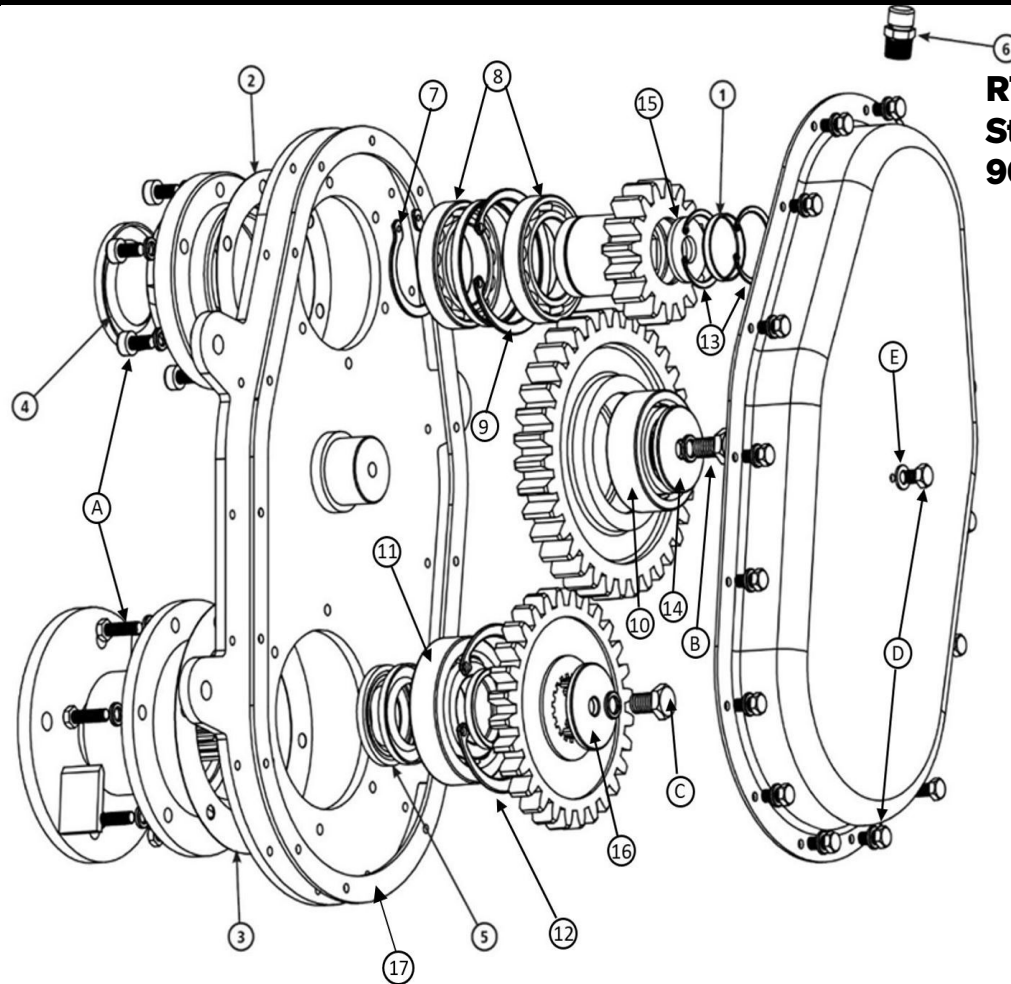
9,10	9000179	(black) Universal Skid Shoe w/ Hardware (4',5',&6' works as right hand or left hand)
9a	9000180	Left hand Tiller Skid Shoe (black) (7')
10a	9000181	Right hand Tiller Skid Shoe (black) (7')
11	P-P1826	16 Link Chain (18" long)
11a	P-P1827	1/4" Chain Shackle
12	9000014	Tiller Top Gearbox w/ Hardware (4',5',6',&7')
13	9000015	Tiller Side Gearbox w/ Hardware (4',5',6',&7')
14	C1L	Tiller Category 1 Lift Pin (4',5',6')
14a	7TC12SPWLP	Tiller Category 1&2 Step Lift Pin (7')
15	9000016	Rotor Assembly w/ Hardware (4')
15a	9000017	Rotor Assembly w/ Hardware (5')
15b	9000018	Rotor Assembly w/ Hardware (6')
15c	7TRAWH	Rotor Assembly w/ Hardware (7')
16	9000182	Rear Guard Assembly (black) (4')
16a	9000183	Rear Guard Assembly (black) (5')
16b	9000184	Rear Guard Assembly (black) (6')
16c	9000201	Rear Guard Assembly (black) (7')
17	9000202	Frame Assembly (black) (4')
17a	9000203	Frame Assembly (black) (5')
17b	9000204	Frame Assembly (black) (6')
17c	9000185	Frame Assembly (black) (7')
18	9000019	Tiller Outboard Hub Assembly Assembly w/ Hardware
19	4-30QDTL	Tiller PTO shaft Assembly
19a	I12TPTO	implement Half Tiller PTO Shaft
19b	T12TPTO	Tractor Half Tiller PTO Shaft
19c	FF0.3	PTO Shaft Friction Discs (2pk)
20	P-P1870	Tiller manual Holder w/ Hardware
21	P-P1825	Hexagon Drive Shaft (4')
21a	P-P1903	Hexagon Drive Shaft (5')
21b	P-P2003	Hexagon Drive Shaft (6')
21c	7THS	Hexagon Drive Shaft (7')
22	P-P1824	Driveline Shaft Guard (4')
22a	P-P1902	Driveline Shaft Guard (5')
22b	P-P2002	Driveline Shaft Guard (6')
22c	TA5	Driveline Shaft Guard (7')
23	STTHP	Hardware Pack (4',5',6') not shown
23a	7STHP	Hardware Pack (7') not shown
24	7TSWH	Tiller Stand w/ Hardware (4',5',6',&7')
25	36-040	Black Gearbox Shield

**RT205BL,RT206BL,RT207BL**  
**Tiller Top Gearbox**  
**9000014**



Item #	Part#	Description
1	S-201	Seal
2	S-209	Seal
3	S-504	Pipe Plug-Inner 6f
4	S-122	14×7.5×40mm key
5	S-502	Vent Plug
6	S-407	Retaining Ring
7	1G150-45	Washer
8	S-406	Retaining Ring
9	S-124	Bearing
10	H-C0144	Gasket (rectangle)
11	H-C0142	Gasket
12	S-403	Retaining Ring
13	S-123	Bearing
14	H-C0125	Input Shaft
15	S-404	72mm retaining ring
16	S-102	6207 bearing
17	S-509	M-10 seal ring
A	non-service	3/8"-16 × 1" bolt with 3/8" split lock washer
B	non-service	M8 × 25 metric hex socket screw w/ M8 split lock washer
C	non-service	Bolt (3/8"-16 × 5/8")
D	non-service	3/8" split lock washer

# PARTS



**RT205BL,RT206BL,RT207BL  
Standard Tiller Side Gearbox  
9000015**

Item #	Part#	Description
1	H-C0245	Side Gearbox Sealed Cap
2	2000016	Side Gearbox Gasket-Input
3	2000018	Side Gearbox Gasket-Output
4	S-212	Input Seal
5	S-211	Output Seal
6	S-502	Vent Plug
7	S-411	Retaining Ring
8	S-124	Bearing
9	S-406	Retaining Ring
10	S-126	Bearing
11	S-133	Bearing
12	S-410	Retaining Ring
13	S-412	Retaining Ring
14	H-C0253	Washer
15	H-C0216	Washer
16	H-C0255	Washer
17	2000019	Main Seal Ring
A	Non-Service	3/8"-16×1" hex bolt w/ 3/8" split lock washer
B	Non-Service	3/8"-16×1" hex bolt w/ 3/8" split lock washer
C	Non-Service	1/2"-13×1.25" hex bolt w/ 1/2" split lock washer
D	Non-Service	3/8"-16×17 mm hex bolt w/ 3/8" flat washer
E	Non-Service	M10 rubber seal washer

**RT205BL and RT206BL Hardware Box (STTHP)  
includes:**

1/4" Plated Proof Coil Chain X 19"	1
Pin, Category 1 Plated 4"	2
5/8" - 11 x 2" Hex Bolt GR5	4
5/8" Split Lock Washer	6
5/8" - 11 Hex Nut	6
5/8" - 11 x 4" Hex Bolt GR5	2
3/8 - 16 x 1" Hex Head Bolt Plated	4
3/8" Split Lock Washer	4
3/8" GR5 Hex Nut	4
1/4" - 20 x 3/4" Hex Bolt	4
1/4" Screw Pin Chain Shackle	1
1/4" Flat Washer	4

**RT207BL Hardware Box (7STHP) includes:**

Step Pin, Category 1 & 2	2
7/16" Lynch Pin	2
5/8" - 11 x 2" Hex Bolt GR5	4
5/8" Split Lock Washer	6
5/8" - 11 Hex Nut	6
5/8" - 11 x 4" Hex Bolt GR5	2
3/8 - 16 x 1" Hex Head Bolt Plated	4
3/8" Split Lock Washer	4
3/8" Grd.5 Hex Nut	4
1/4" - 20 x 3/4" Hex Bolt	4
1/4" Flat Washer	4