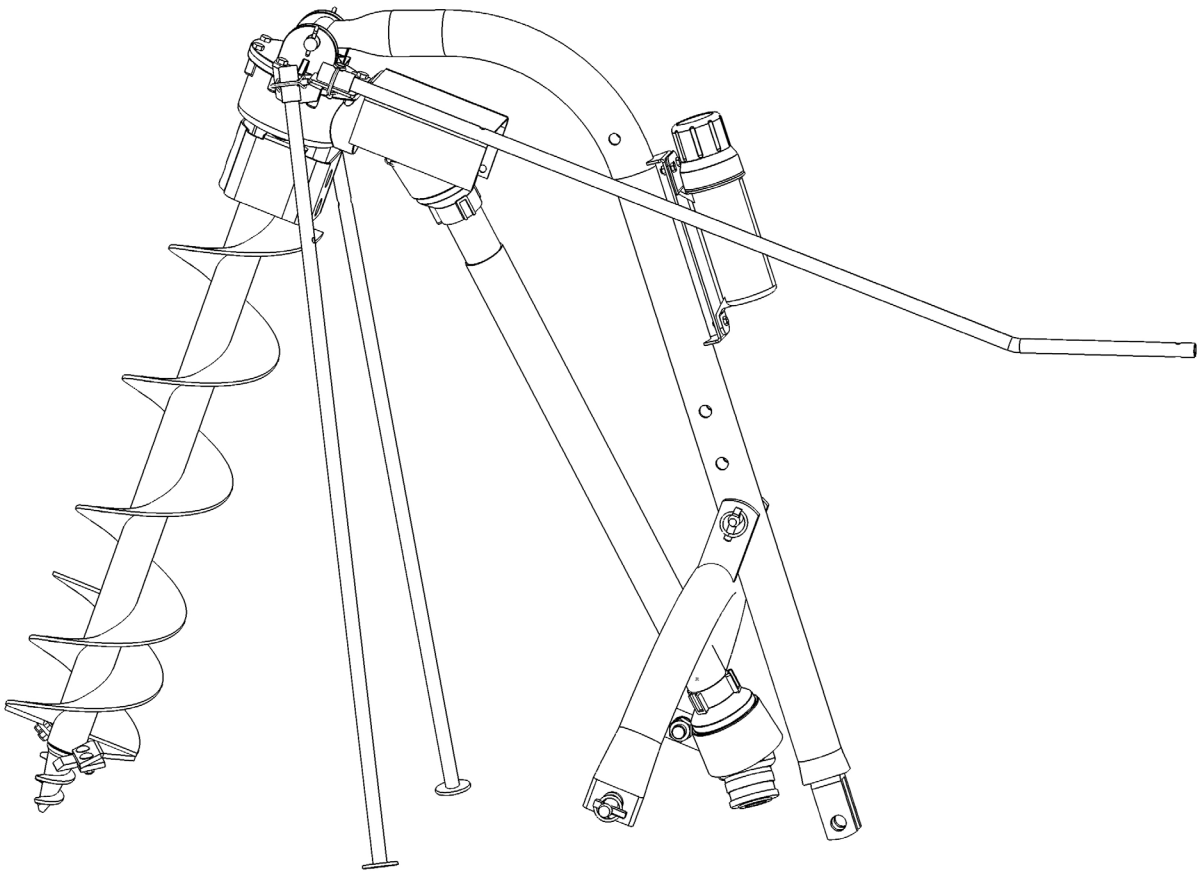




3-Point Post Hole Digger Stand



Operation Manual

TABLE OF CONTENTS

Important Safety Information	4
Parts List	6
Assembly Instructions	7
Installation Instructions	8
Operating and Removal Instructions	9

IMPORTANT SAFETY INFORMATION



WARNING

WARNING:

Read and thoroughly understand all instructions and safety information before attaching the stand to your post hole digger. Failure to do so may cause serious injury or death.

Call our customer service department at 720-437-7640, or email at techsupport@tooltuffdirect.com if you have any questions or concerns about the safe operation of this equipment.



WARNING

This manual is not a substitution for the post hole digger manual. Refer to your post hole digger manual if you have any questions regarding the post hole digger.



DANGER

INTENDED USE

The post hole digger stand is intended to keep the post hole digger in an upright position making it easier to remove and attach to your tractor.



DANGER

ALWAYS OPERATE THIS POST HOLE DIGGER FROM THE TRACTOR SEAT. ONLY ONE PERSON SHOULD OPERATE THE DIGGER.



DANGER

Never operate the post hole digger with the stand legs attached.

IMPORTANT SAFETY INFORMATION



WARNING

Store the post hole digger in a location away from children. The post hole digger may tip and fall injuring people in the vicinity.



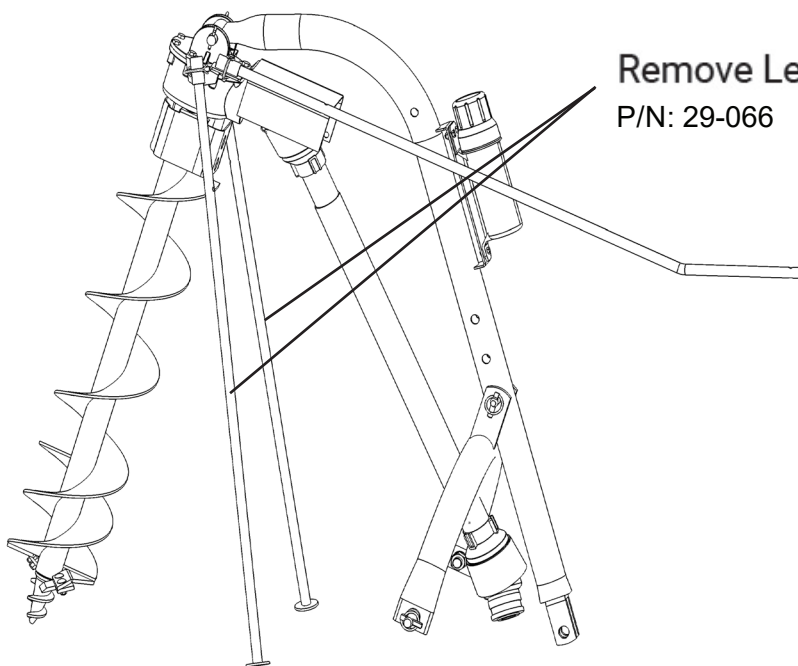
WARNING

Store the post hole digger with the auger attached forming 4 contact points with the ground.



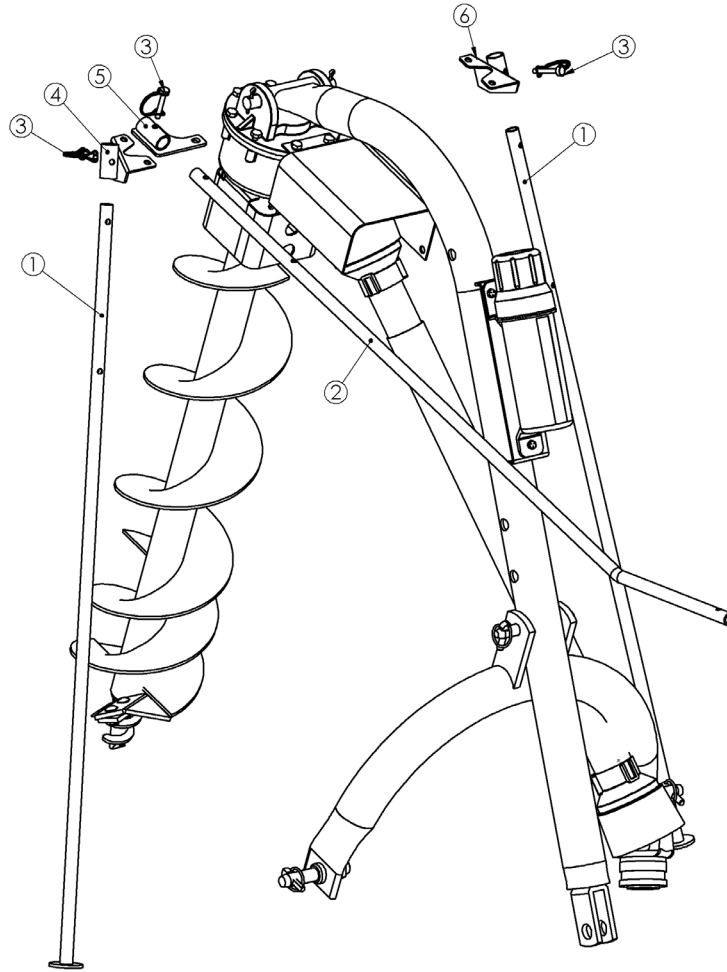
WARNING

Never alter or remove any safety decals. Replace immediately if damaged or missing. Contact Tool Tuff Direct at 720-437-7640 for replacement decals.



Remove Legs Before Operating. 29-066
P/N: 29-066

PARTS LIST



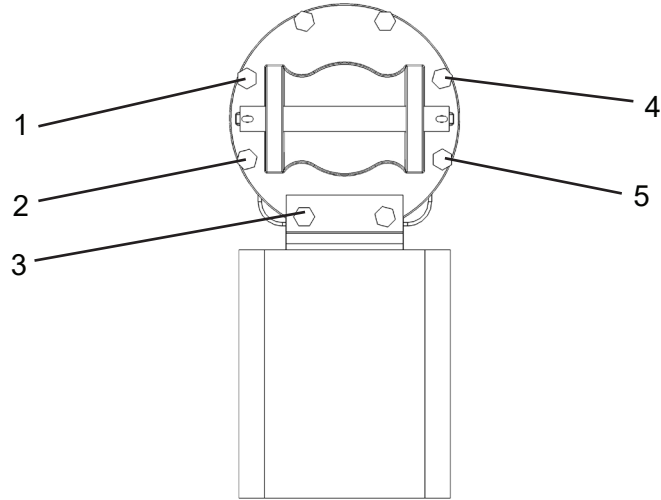
ITEM NO.	PART NUMBER	DESCRIPTION	QTY.
1	24-0433	STAND LEG	2
2	24-0017	TUBE, CONTROL ROD	1
3	50-009	LOCK PIN, ROUND, 5/16" X 1-1/2"	3
4	24-0019	LEFT LEG MOUNT	1
5	24-0018	WELDMENT, CONTROL ROD MOUNT	1
6	24-020	RIGHT LEG MOUNT	1
*** 7	48-136	TENSION STRAP	1

*** Tension Strap is not shown

ASSEMBLY INSTRUCTIONS

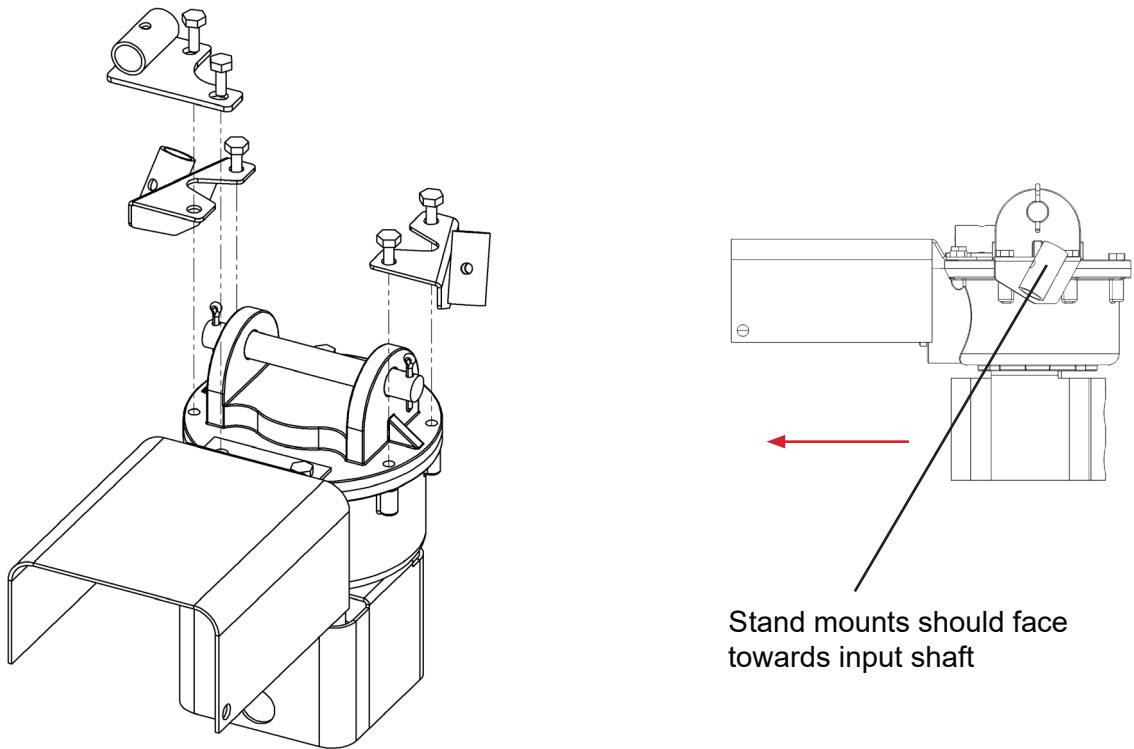
STEP 1:

Remove the 5 M10 hex head bolts from the top of the gear box



STEP 2:

Attach the leg mounts and control rod mount to the gearbox and replace the hex bolts. Torque the M10 hex bolts to 55Nm.



INSTALLATION INSTRUCTIONS

STEP 1:

Raise the post hole digger to the transportation position, auger couple inches off the ground.

STEP 2:

Insert the two stand legs into the left and right leg mounts. Secure with the two locking pins.

STEP 3:

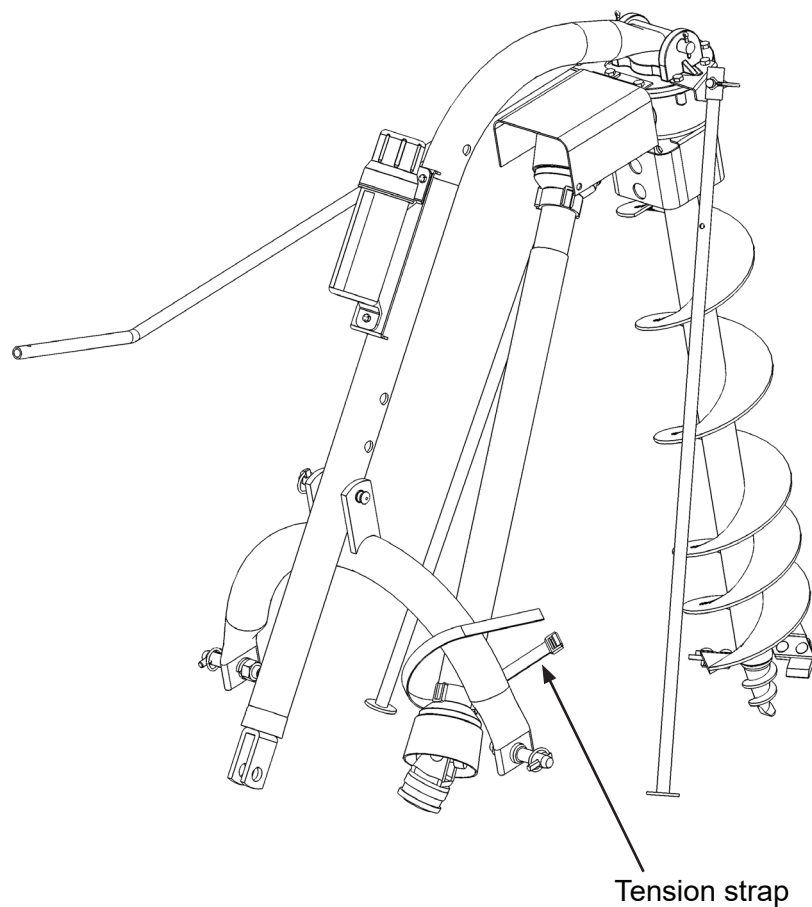
Lower the digger until the two legs and the auger form a tripod. This will support the post hole digger in a vertical position.

STEP 4:

Remove the 3-point lift arms from the A-frame and driveline and boom from the tractor. Place the end of the boom on the ground. There should be 4 points of contact with the ground holding the post hole digger in the vertical position

STEP 4:

Place driveline on the A-frame and secure together using the tension strap.



OPERATING AND REMOVAL INSTRUCTIONS



DANGER

Never operate the post hole digger with the stand legs attached.

STEP 1:

Remove the tension strap that holds the driveline to the A-frame.

STEP 2:

Attach the boom, A-frame and driveline to the tractor.

STEP 3:

Raise the post hole digger couple inches off the ground and remove the stand legs from the gearbox.

STEP 4:

Attach the control rod to the gearbox and secure with a locking pin. There are couple mounting holes on the control rod to adjust the position most comfortable.

STEP 5:

Place the tension strap and lock pins in the manual canister. Place the stand legs in a location away from operation.



WARNING

Use caution when beginning a hole. The auger can move quickly in an unexpected direction and can injure the operator holding the control rod.



Tool Tuff Direct
15000 W. 44th Ave.
Golden, CO 80403
Tel: 720-437-7640