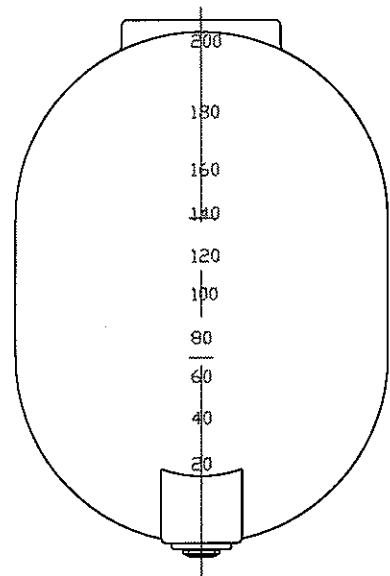
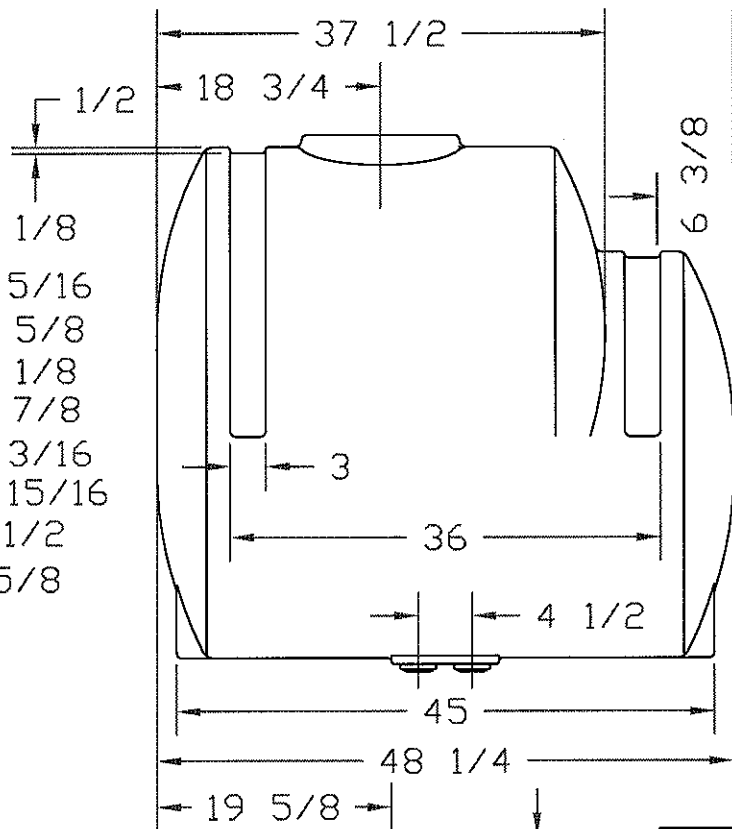


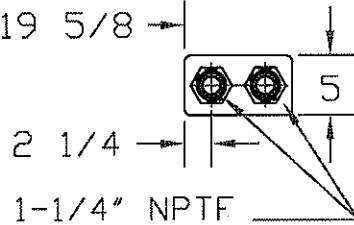
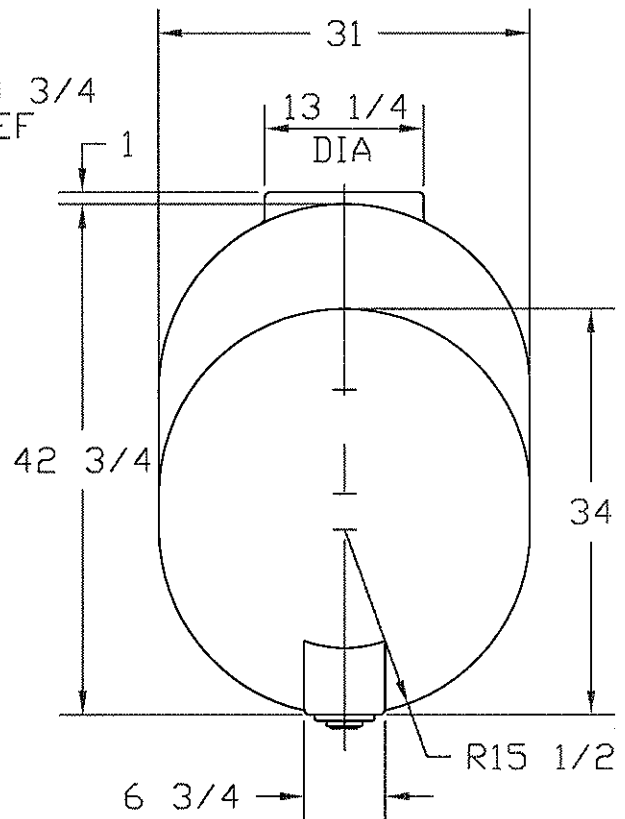
REVISIONS				
ZONE	REV	DESCRIPTION	DATE	APPROVED
	B	REDRAWN	23SEP97	



- 36 1/8
- 31 5/16
- 27 5/8
- 24 1/8
- 20 7/8
- 17 3/16
- 13 15/16
- 10 1/2
- 6 5/8
- 0



10 3/4
REF



NORWESCO

ST. BONIFACIUS, MN

200 GALLON X 31

SLIMLINE APPLICATOR TANK

D	FITTINGS UPDATED	09DEC02
---	------------------	---------

REV	DESCRIPTION	DATE
-----	-------------	------

JTP 23SEP97

SIZE A	FSCM NO.	DWG NO.	REV D
-----------	----------	---------	----------