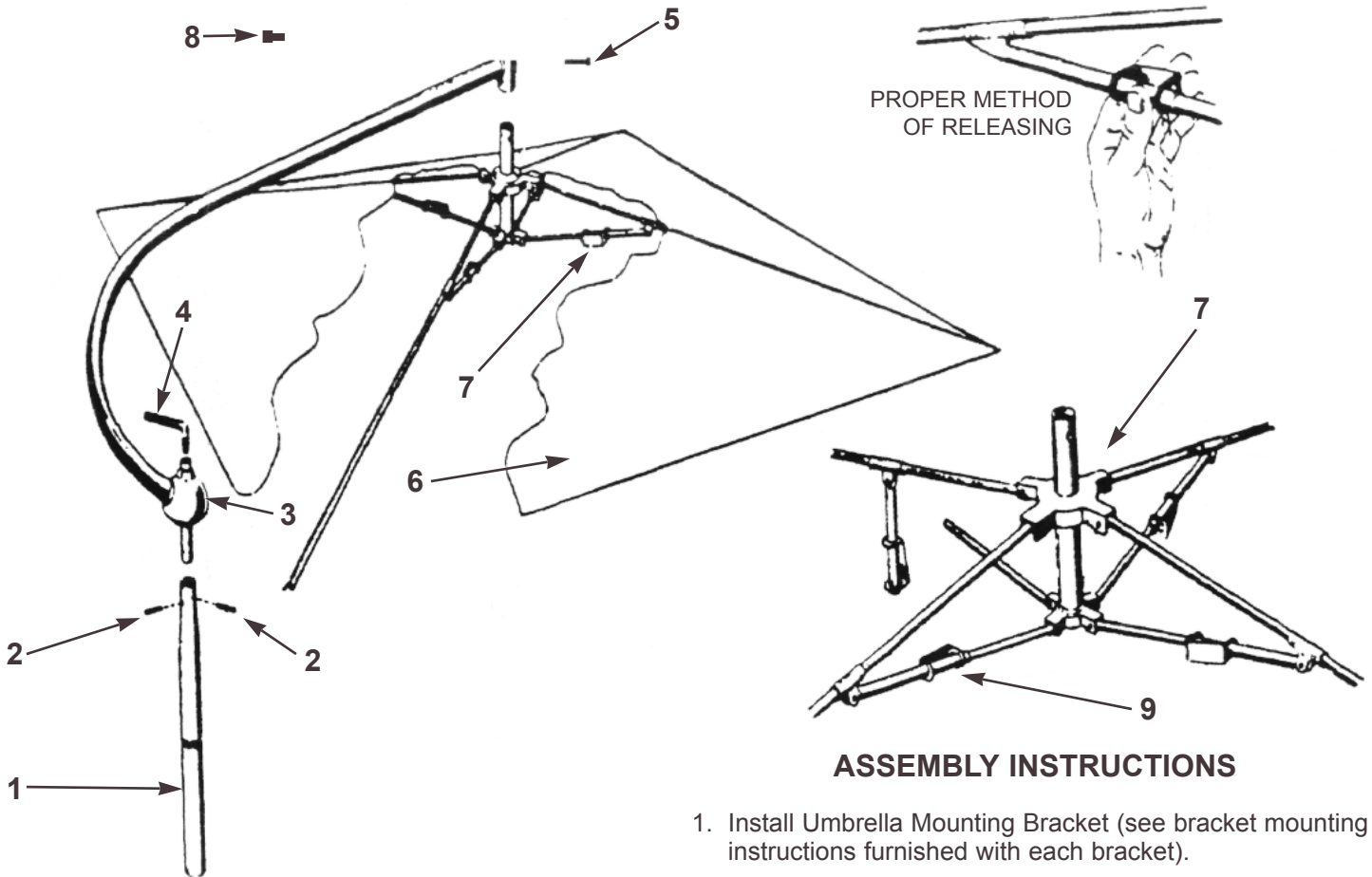


TRACTOR UMBRELLA ASSEMBLY INSTRUCTIONS AND REPLACEMENT PARTS LIST



ASSEMBLY INSTRUCTIONS

1. Install Umbrella Mounting Bracket (see bracket mounting instructions furnished with each bracket).
2. Insert ball stud on (#3) curved shaft into (#1) umbrella support shaft, align holes and place 10-24 x 1 1/4" bolt into holes. Install (#4) locking handle.
3. Place (#6) cover over (#7) umbrella frame assembly and hook corners to bows.
4. Insert (#7) umbrella frame assembly with cover in place into tube on (#3) curved shaft and insert (#5) 1/4" x 1 1/2" bolt. Tighten snugly with 1/4" lock nut (#8).
5. Install complete umbrella into clamp on umbrella mounting bracket.

Each bow may be raised individually until locked into open position. Each bow has two positions in which it can be locked open. This is to allow for any stretch in cover.

REPLACEMENT PARTS LIST

| ILL. NO. | PART NO. | DESCRIPTION |
|----------|-----------|----------------------------|
| 1 | 211253084 | Umbrella Support Shaft |
| 2* | 292021283 | Bolt 10-24 x 1 1/4" |
| 3 | 220602684 | Curved Shaft |
| 4* | 211253684 | Swivel Ball Locking Handle |
| 5* | 202641472 | Bolt 1/4" x 1 1/2" |
| 6** | | Canvas or Vinyl Cover |
| 7 | 220602584 | Umbrella Frame Assembly |
| 8* | 292511372 | 1/4" Lock Nut |
| 9 | 220705284 | Connector With Spring |
| | 292508183 | Hex Nut 10-24 (Not Shown) |
| | 229201200 | Hardware Bag |

* Parts are included in Hardware Bag

**Cover purchased separately when ordering #315022126

FEMCO, Inc.

GENERAL OFFICES

500 North 81 By-Pass
McPherson, Kansas 67460
Phone: (316) 241-3513
FAX: 1-316-241-3532
Toll Free: 1-800-677-0898

Subsidiaries

HINSON-FEMCO
FEMCO PLASTICS