

# PARTS WASHER

20-GALLON

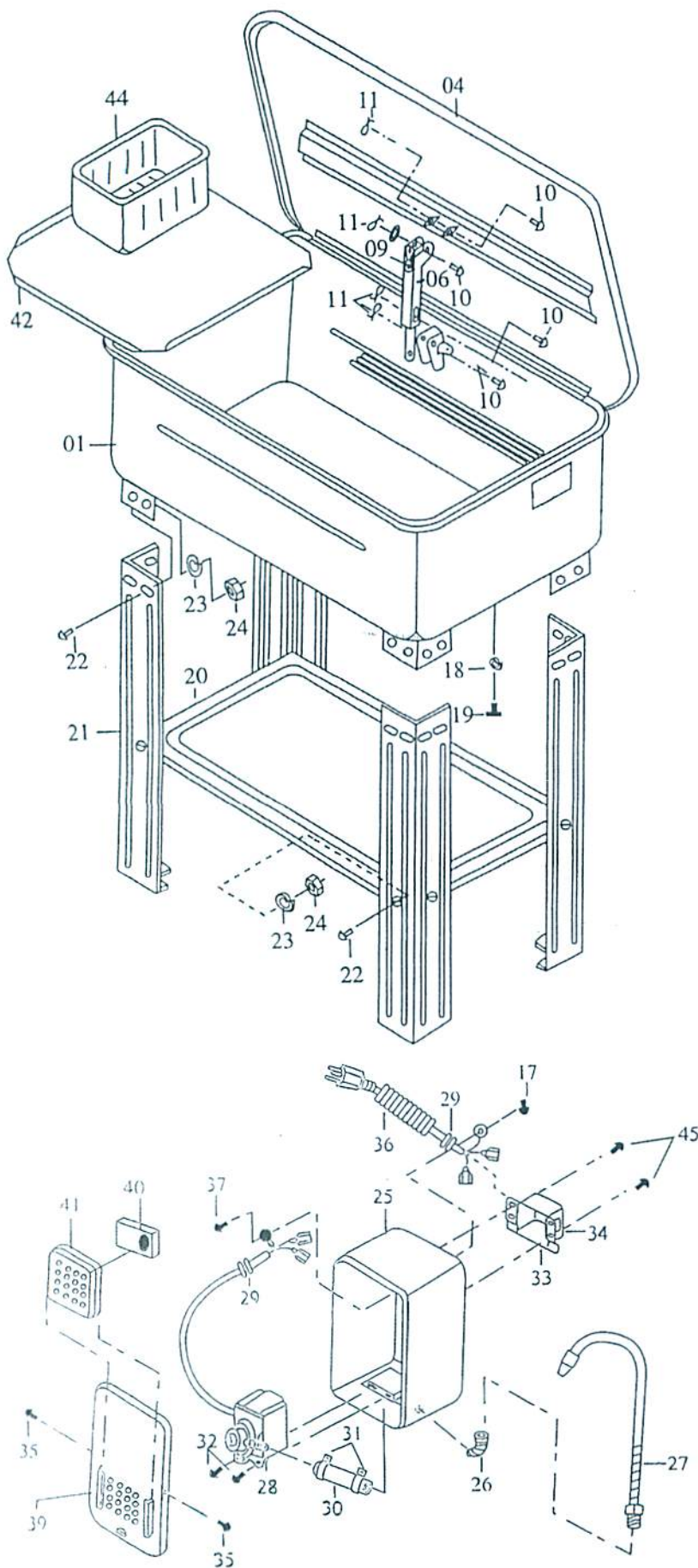
ASC# 34610



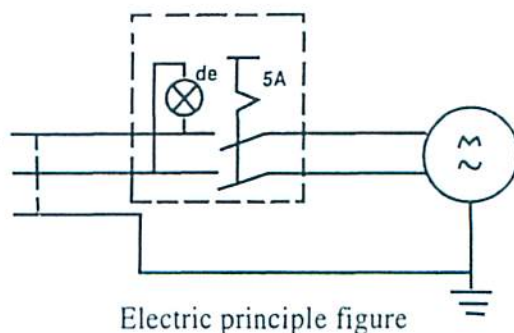
## ASSEMBLY INSTRUCTIONS

1. Remove machine from carton and inspect for any visual damage.
2. Remove parts inside the machine.
3. Lay clean cardboard on floor and lay machine on its lid.(Make sure you hold cover closed when laying machine on its lid.)
4. Mount four legs on brackets with M6X 12 philips head screws and M6 Keps nuts.  
NOTE:DO NOT tighten.
5. Place lower shelf between legs with flat surface down and attach to legs with M6X12 philips head screws and M6 keps nuts.
6. With legs pressed tight against lower shelf ,tighten all screws to lower shelf.
7. Tighten all screws installed in step 4.
8. Stand machine up ,be careful to hold lid closed.
9. Place work shelf and basket into the machine.
10. Mount pump assembly into slot on the side of the machine Place filter screen in position.
11. Plug machine into standard 220 Volt 50Hz grounded outlet and fill with proper amount of fluid.
12. Turn switch on Fluid should now be flowing from the flexible spigot.

SPECIFICATIONS	Recirculating Parts Washer
Overall Dimensions	30-3/4" × 21-1/4" × 35-3/4"
Tank Dimensions	29-7/8" × 20-3/4" × 10-8/10"
Max Solvent Capacity	20.Gallons
Pump Output Through Hose	50gph
Electrical Requirements	220V/50Hz/0.5A
Gross Weight	34.5kgs



PARTS NO	DESCRIPTION	QTY
01	BODY	1
04	COVER	1
06	SAFETY LEVER	1
09	SAFETY PLATE	1
10	PIN	4
11	SPRING PIN	4
17	NUT	1
18	O-RING	1
19	PLUG	1
20	SHELF	1
21	LEG	4
22	PAN SCREW	24
23	SPRING WASHER	24
24	NUT	24
25	PUMP HOUSING	1
26	ELBOW	1
27	FLEXIBLE PIPE	1
28	PUMP	1
29	FEED THRU	2
30	HOSE	1
31	HOSE CLAMP	2
32	TAPPING SCREW	2
33	SWITCH BOX	1
34	SWITCH	1
35	TAPPING SCREW	2
36	POWER CORD	1
37	PAN SCREW	1
39	PUMP HOUSING COVER	1
40	SCREEN	1
41	COVER SCREEN	1
42	WORK SHELF	1
43	WORK SHELF LEG	2
44	BASKET	1
45	TAPPING SCREW	2





## CLEANING SOLUTIONS

Approved cleaning solutions

Water/household detergents ( PH6-B )

## WARNING

The pump of your Parts Washer may be damaged if you use solvents other than those listed above such as methyl ethyl ketone (MEK) , Perchloroethylene or trichloroethylene.

## TROUBLE SHOOTING

The only trouble you should ever experience with your Parts Washer is reduced volume flow or no flow of cleaning liquid from the flex hose nozzle . The probable cause is foreign matter in the flex hose.

## CORRECTIVE PROCEDURE

1. Check that indicator light on switch box is lit.
2. Using an insulated handle screw driver to lightly touch tip of housing of motor . A light oscillation magnetic pull indicates power is reaching the motor.
3. Disconnect power plug, remove flex hose from pump flow-out line.
4. Remove front of pump housing by removing 3 screws . Clear any foreign matter lodged around impeller.
5. Reassemble in reverse order.