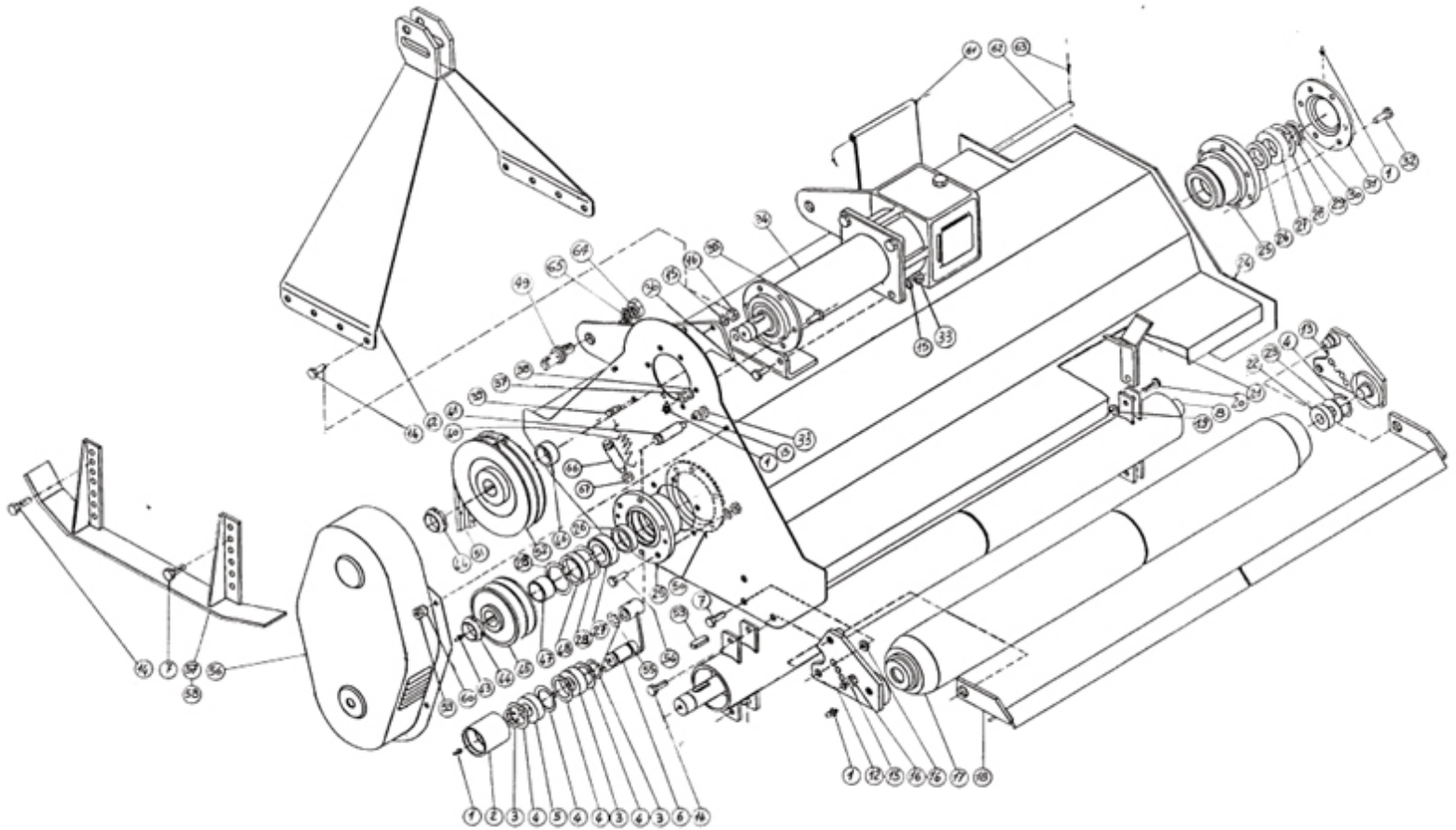




Caroni - Flail Mower - Complete Unit - TL900

(Circled Numbers Reference Chart Below Diagram)



Ref. #	Caroni Part #	QTY	ASC #	Descrip.
1	1234	6	32844	Fitting
3	1546	2	31419	Circlip
5	1112	2	56165	Bearing
7	1944	4		Screw
12	10008300	1	40856	Left Support for Roller
14	1088	16	47071	Screw
16	1091	23	56167	Nut
18	05003200	1	56152	Scraping 900
20	2030		54962	Screw
22	1874	2	31418	Bearing
24	05003500	1		Frame
	05001000	1		Frame
	05000900	1		Frame
26	1206	2	31417	Oil Seal
28	1240	3	31420	Circlip
30	1572	2	31421	Circlip
32	1659	6	56156	Screw
34	10013500	1		Complete Transmission Box - (parts only)
36	2011	2	56171	Screw
38	1225	18	47391	Washer
40	10009000	1	52118	Spring
42	10003000	1	56173	Hitch Frame
44	1537	2	56157	Nut

Ref. #	Caroni Part #	QTY	ASC #	Descrip.
2	10004300	1	40848	Belt Stretcher
4	1545	6	30891	Circlip
6	20005610	1	40849	Stretcher
8	05005300	1	56146	Rotor 900 F
13	10008200	1	40855	Right Support for Roller
15	1227	23	47394	Washer
17	05001410	1	56149	Roller 900
19	1220		31439	Self Locking Nut
21	05001200		49410	Blade
23	20008200	2	41526	Washer
25	10001600	2	40858	Support
27	1873	2	56155	Bearing
29	1568	1	35207	Washer
31	10006300	1	40859	Cover
33	1558	2	30886	Self Locking Nut 12mm
35	1078	6	47379	Screw 10x35mm
37	1080	18	56107	Nut
39	10007800	1	52119	Pin
41	20005800	1	40852	Pin
43	1870	1	56174	Fitting
45	F5900700	1	56158	Pulley

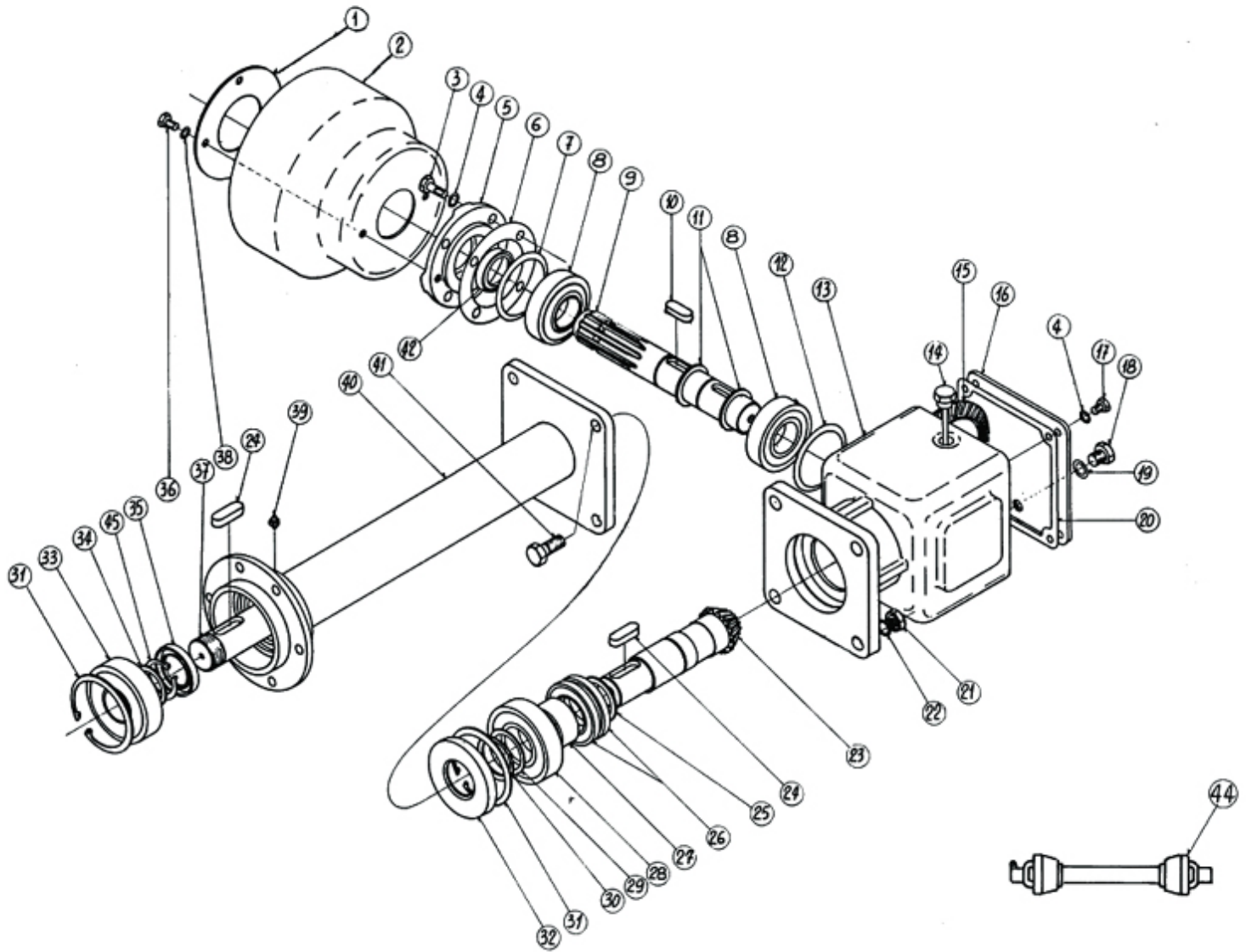
46	10000900	1	56159	Spacer	47	10005800	1	40857	Spacer
48	1868	1	31424	Oil Seal	49	59003800	2	43279	Pin
50	10006100	2	56175	Cover	51	2142	2	20992	Belt
52	71000900	1	44612	Pulley	53	1439	3	31429	Key
54	1492	6	56160	Screw	55	1571	1	31425	Circlip
56	10001200	1	56176	Cover	57	10003700	1	31412	Skid
58	10003600	1	31413	Skid	59	1222	5	40851	Self Locking Nut 8mm
60	1231	4	47398	Washer	61	10006200	7	31423	Guard 900
62	05004000	1	56161	Axle 900	63	1556	2	56223	Linch Pin
64	1027	2	32866	Nut	65	1928	2	47439	Washer



Caroni - Flail Mower - Transmission Box - TL & TM Models

(Circled Numbers Reference Chart Below Diagram)

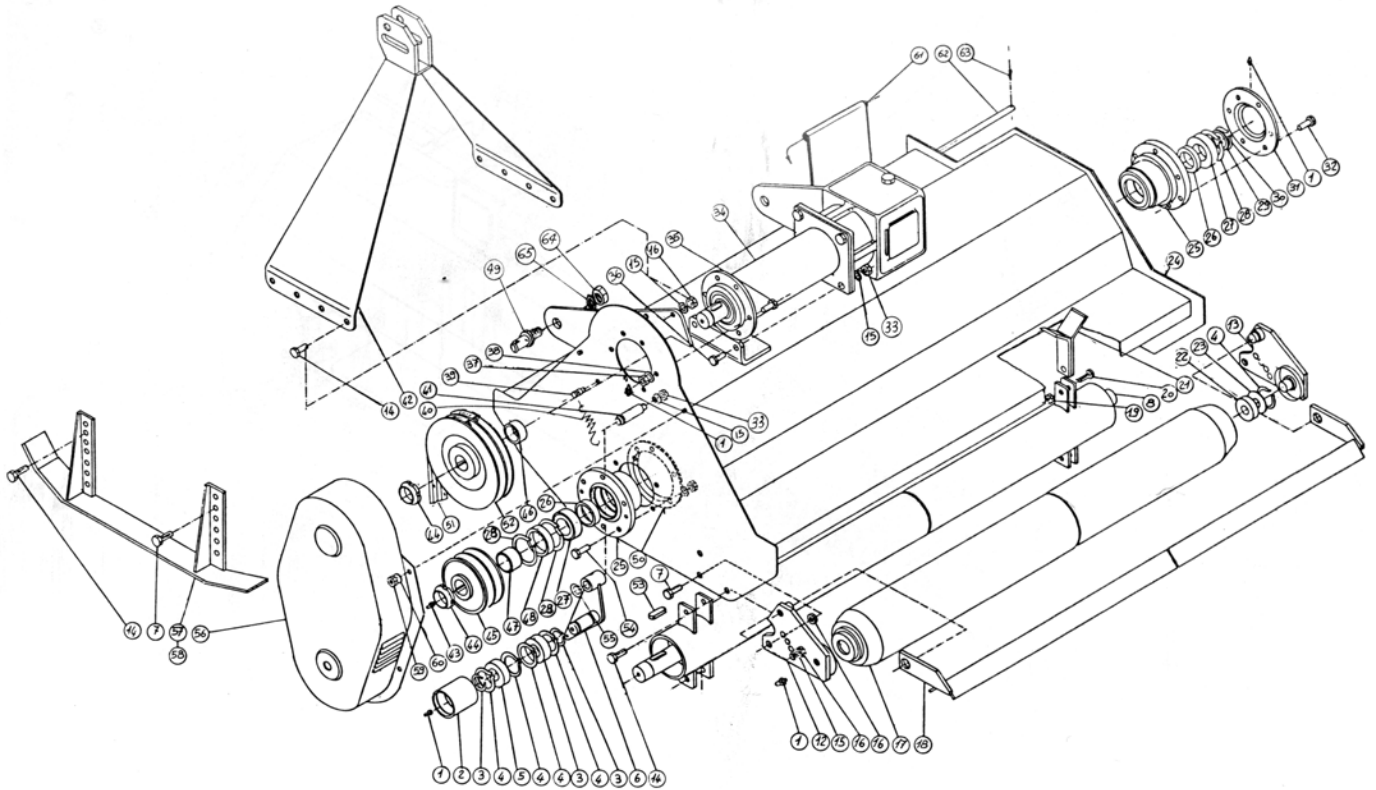
Transmission Box for the TL and the TM Models



Ref. #	Caroni Part #	QTY	ASC #	Descrip.
1	59006400	1	47486	Disk
3	1083	4	47380	Screw
5	59002720	1	32853	Cover
7	1799	1	32855	Washer
9	F5901500	1		Shaft
11	10261572	3		Circlip
13	10000800	1		Box
15	59003100	1	30900	Pinion
17	1490	4	47416	Screw 8x20mm
19	1954	1	56180	Washer
21	1558	2	30886	Self Locking Nut 12mm
23	59003000	1	30899	Pinion
25	1432	1	32861	Washer
27	F1500400	1	32862	Spacer

Ref. #	Caroni Part #	QTY	ASC #	Descrip.
2	59007300	1	47488	Guard
4	1226	8	47392	Washer
6	59003500	1	32854	Gasket
8	1579	2	30896	Bearing
10	1449	1	31428	Key
12	1799	1	32855	Washer
14	1477	1	47415	Plug
16	59002800	1		Cover
18	1949	1	56179	Screw
20	59003400	1	32858	Gasket
22	1227	2	47394	Washer
24	1439	2	31429	Key
26	1770	2	31431	Bearing
28	1401	1	30894	Bearing

29	1431	1	32864	Washer	30	1459	1	31432	Circlip
31	1539	2	31433	Circlip	32	1450	1	30898	Oil Seal
33	1875	1	31434	Support	34	1568	1	35207	Washer
35	1869	1	31435	Oil Seal	36	1807	2	47436	Screw
37	10000700	1	40860	Shaft	38	1236	2	47399	Washer
39	1234	1	32844	Fitting	40	10000400	1	56181	Transmission Tube
41	1944	2	47442	Screw	42	1451	1	30897	Oil Seal
43	10001300	1	54963	Gearbox Complete	44	1883	1	54718	PTO Shaft
45	1572	1	31421	Circlip		1852	1		PTO Shaft
47	71001000	1	28540	Blade	46	59000900	1	30888	Shaft
	59006200	1	28539	Blade	48	1801	1	32845	Washer
	48007700	1	29870	Blade	50	59007210	1	29652	Gearbox Complete
49	1219	1	30902	Self Locking Nut		71002300	1	32833	Gearbox Complete
51	59007010	1	30880	Support Complete		F5904700	1		Gearbox Complete
						F5907100	1		Gearbox Complete
						91004900	1		Gearbox Complete
					52	1710	1		No Splined PTO Shaft
						1883	1		Splined PTO Shaft
						2319	1		Splined PTO Shaft
						1852	1		PTO Shaft Free Wheel



TL

RIF.	CODE	QTY	TYPE	DESCRIPTION
1	1234	6	TL TM	FITTING
2	10004300	1	TL TM	BELT STRETCHER
3	1546	2	TL TM	CIRCLIP
4	1545	6	TL TM	CIRCLIP
5	1112	2	TL TM	BEARING
6	20005610	1	TL TM	STRETCHER
7	1944	4	TL TM	SCREW
8	05005100	1	TL900ASC	ROTOR
	05005400	1	TL1200ASC	ROTOR
	05005700	1	TL1500ASC	ROTOR
	05005300	1	TL900FSC	ROTOR
	05005600	1	TL1200FSC	ROTOR
	05005900	1	TL1500FSC	ROTOR
12	10008300	1	TL TM	SUPPORT
13	10008200	1	TL TM	SUPPORT
14	1088	16	TL TM	SCREW
15	1227	23	TL TM	WASHER
16	1091	23	TL TM	NUT
17	05001410	1	TL900	ROLLER
	05001510	1	TL1200	ROLLER
	05001610	1	TL1500	ROLLER
18	05003200	1	TL900	SCRAPING
	05003100	1	TL1200	SCRAPING
	05003000	1	TL1500	SCRAPING
19	1220	14	TL 900ASC	S.L. NUT
		18	TL 1200ASC	S.L. NUT
		22	TL 1500ASC	S.L. NUT
		28	TL 900FSC	S.L. NUT
		36	TL 1200FSC	S.L. NUT
		44	TL 1500FSC	S.L. NUT
20	2030	14	TL900ASC	SCREW
		18	TL1200ASC	SCREW
		22	TL1500ASC	SCREW
		28	TL900FSC	SCREW
		36	TL1200FSC	SCREW
		44	TL1500FSC	SCREW
21	05001200	28	TL900ASC	BLADE
		36	TL1200ASC	BLADE
		44	TL1500ASC	BLADE
		56	TL900FSC	BLADE
		72	TL1200FSC	BLADE
		88	TL1500FSC	BLADE
22	1874	2	TL TM	BEARING
23	20008200	2	TL TM	WASHER
24	05003500	1	TL900	FRAME
	05001000	1	TL1200	FRAME
	05000900	1	TL1500	FRAME
25	10001600	2	TL TM	SUPPORT
26	1206	2	TL TM	OIL SEAL
27	1873	2	TL	BEARING
28	1240	3	TL TM	CIRCLIP

RIF.	CODE	QTY	TYPE	DESCRIPTION
29	1568	1	TL TM	WASHER
30	1572	2	TL TM	CIRCLIP
31	10006300	1	TL TM	COVER
32	1659	6	TL TM	SCREW
34	10013500	1	TL TM	COMPL TRANS BOX
35	1078	6	TL TM	SCREW
36	2011	2	TL TM	SCREW
37	1080	18	TL TM	NUT
38	1225	18	TL TM	WASHER
39	10007800	1	TL TM	PIN
40	10009000	1	TL TM	SPRING
41	20005800	1	TL TM	PIN
42	10003000	1	TL TM	HITCH FRAME
43	1870	1	TL TM	FITTING
44	1357	2	TL TM	NUT
45	F5900700	1	TL	PULLEY
46	10000900	1	TL TM	SPACER
47	10005800	1	TL TM	SPACER
48	1868	1	TL TM	OIL SEAL
50	10006100	2	TL TM	COVER
51	2142	2	TL TM	BELT
52	71000900	1	TL	PULLEY
53	1439	3	TL TM	KEY
54	1492	6	TL TM	SCREW
55	1571	1	TL TM	CIRCLIP
56	10001200	1	TL TM	COVER
57	10003700	1	TL TM	SKID
58	10003600	1	TL TM	SKID
59	1222	5	TL TM	NUT
60	1231	4	TL TM	WASHER
61	10006200	7	TL900	GUARD
		9	TL1200	GUARD
		11	TL1500	GUARD
62	05004000	1	TL900	AXLE
	05004100	1	TL1200	AXLE
	05004200	1	TL1500	AXLE
63	1556	2	TL TM	LINCH PIN
64	1027	2	TL TM	NUT
65	1928	2	TL TM	WASHER
33	1558	2	TL TM	NUT
49	59003800	2	TL TM	PIN