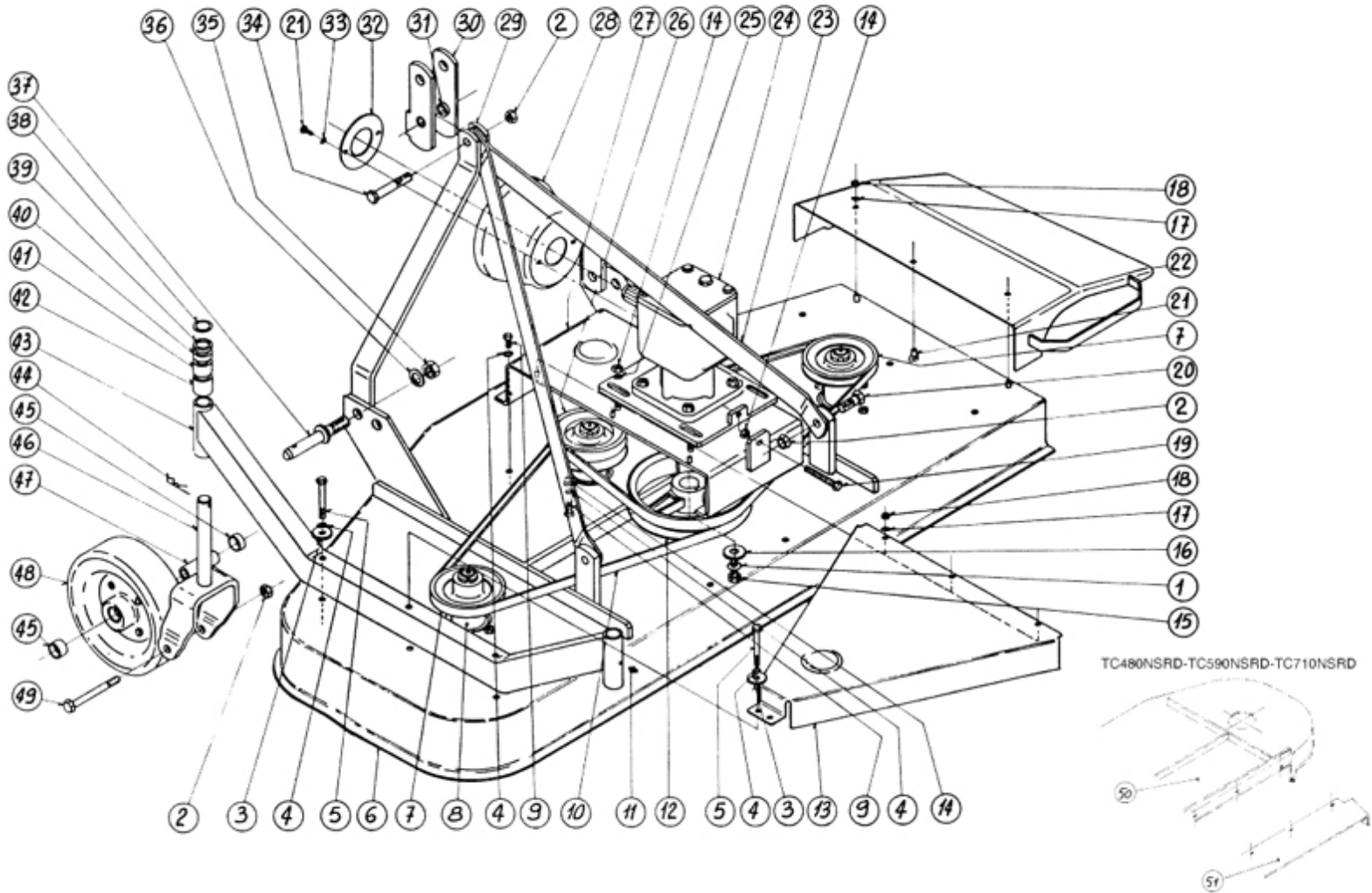




Caroni - Rear Mower - Complete Unit - TC480NSLD 48" Mower

(Circled Numbers Reference Chart Below Diagram)

Caroni Rear Mower



TC480NSRD-TC590NSRD-TC710NSRD

Ref. #	Caroni Part #	QTY	ASC #	Descrip.
1	1227	1	47394	Washer
3	59009600	6	43320	Washer 5x35x10mm
5	1407	6	31438	Screw 10x8mm
7	48002800	2	32847	Pulley
9	1078	16	47379	Screw 10x35mm
11	1234	4	32844	Fitting
13	48001230	2		Cover
15	1944	1	47442	Screw
17	1231	9	47398	Washer
19	1408	1	47404	Screw 10x80mm
21	1490	5	47416	Screw 8x20mm
23	48003900	2	47480	Tie - Rod
25	1228	4	47396	Washer
27	91003000	1	47499	Support
29	48003800	2		Vertical - Rod
31	15002810	2	42327	Bush
33	1236	2	47399	Washer

Ref. #	Caroni Part #	QTY	ASC #	Descrip.
2	1558	7	30886	Self Locking Nut 12mm
4	1225	22	47391	Washer
6	48000230	1	54924	Deck
8	59007010	3	30880	Support Complete
10	1824	2	21005	Belt
12	59002410	1	44731	Pulley
14	1080	17		Nut 10mm
16	59006500	1	47487	Washer
18	1222	9	40851	Self Locking Nut 8mm
20	1965	2	47447	Screw 12x35mm
22	15006300	1		Deflector
24	59007210	1	29652	Gearbox Complete
26	48002900	1	30893	Pulley
28	59007300	1	47488	Guard
30	15003320	1	42326	Support
32	59006410	1	56113	Stiffening Plate
34	1409	1	47405	Screw 12x90mm

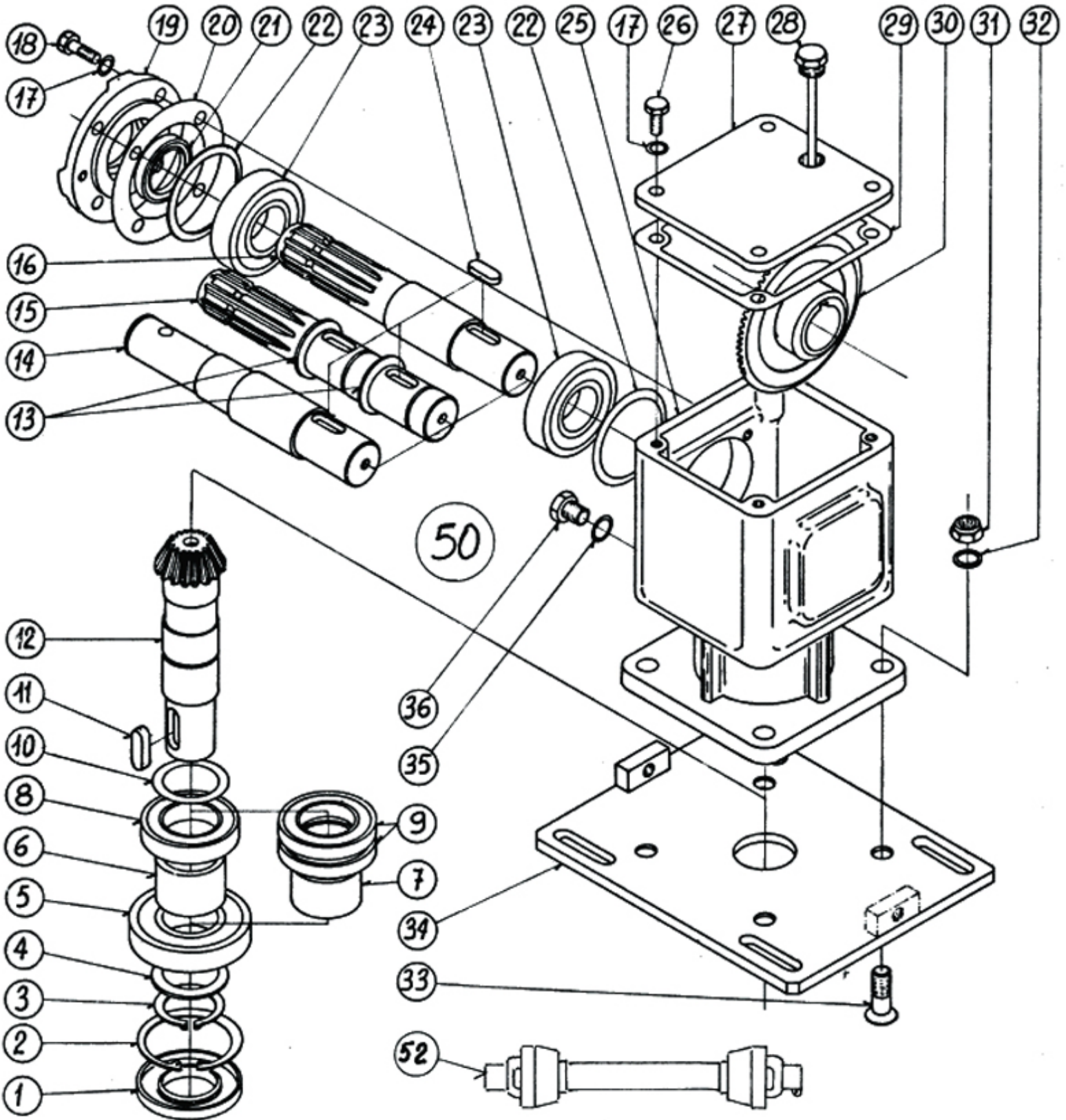
35	1027	2	32866	Nut	36	1928	2	47439	Washer
37	59003800	2	43279	Pin	38	1253	4	32867	Washer
39	59005200	4	30903	Spacer	40	59005000	4	30907	Spacer
41	59005100	4	30906	Spacer	42	59004900	2	30904	Spacer
43	48002510	2	32834	Support	44	1183	4	32742	Self Lock Pin
45	59005000	8	30907	Spacer	46	59006110	4	30887	Fork
47	59000210	4	30883	Spacer	48	59008700	4	28538	Wheel
49	1100	4	30885	Screw	50	48003200	1	54925	Deck
51		1		Deflector					



Caroni - Rear Mower - Transmission Box
TC910NSRD, TC480NSLD, TC590NSLD & TC710NSLD

(Circled Numbers Reference Chart Below Diagram)

Transmission Box for
TC910NSRD - TC480NSLD - TC590NSLD - TC710NSLD



Ref. #	Caroni Part #	QTY	ASC #	Descrip.
1	1450	1	30898	Oil Seal
3	1459	1	31432	Circlip
5	1401	1	30894	Bearing
7	F1500400	1		Spacer
9	1770	2	31431	Bearing
11	1439	1	31429	Key
13	1026	2	31427	Circlip
15	F5901500	1		Shaft Only Front
17	1226	8	47392	Washer
19	59002710	1	32853	Cover
21	1451	1	30897	Oil Seal
23	1579	2	30896	Bearing
25	59002620	1		Box
27	59002800	1		Cover
29	59003400	1	32858	Gasket
31	1558	4	30886	Self Locking Nut 12mm
33	1410	4	45888	Screw
35	1448	1	47412	Washer
37	1462	1	30935	Self Locking Nut
39	1112	2	17851	Bearing
41	5900700	1	32843	Spacer
43	59000600	1	45229	Support
45	1461	1	30889	Key

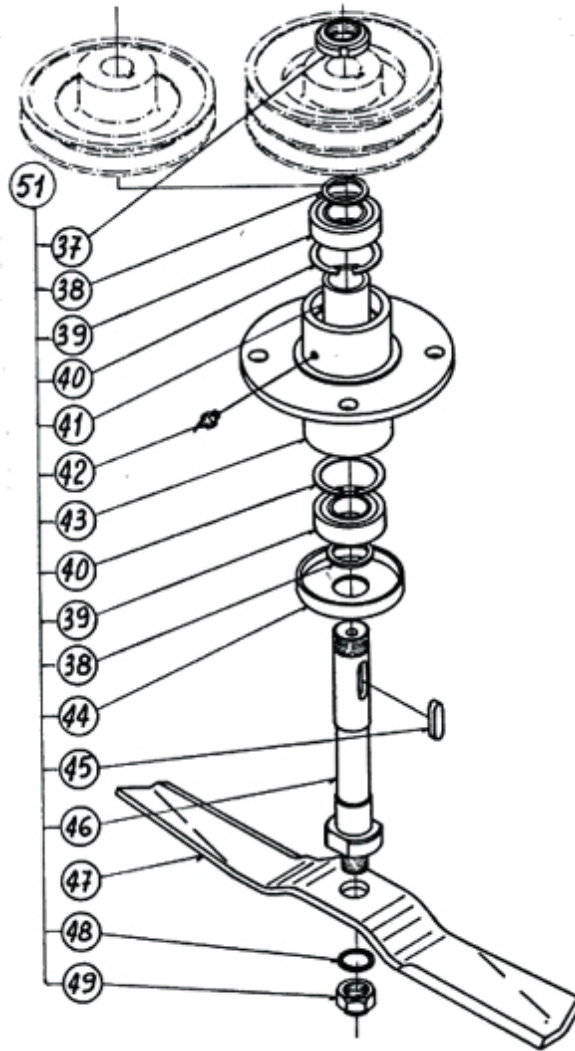
Ref. #	Caroni Part #	QTY	ASC #	Descrip.
2	1539	1	31433	Circlip
4	1431	1	32864	Washer
6	59003300	1	32863	Spacer
8	1400	1	30895	Bearing
10	1432	1	32861	Washer
12	59003020	1	30899	Pinion
	F5905900	1		Pinion
14	59006310	1		Shaft No Splined
16	59002900	1	32856	Shaft Splined
18	1083	4	47380	Screw
20	59003500	1	32854	Gasket
22	1799	2	32855	Washer
24	1449	1	31428	Key
26	1490	4	47416	Screw 8x20mm
28	1477	1	47415	Plug
30	59003120	1	30900	Pinion
	F5906000	1		Pinion
32	1227	5	47394	Washer
34	F5900500	1		Belt Stretcher Plate
	59001500	1	47481	Belt Stretcher Plate
36	1777	1	47433	Screw
38	5900800	2	32842	Spacer
40	1545	2	30891	Circlip
42	1234	1	32844	Fitting
44	59001000	1	42093	Disk
46	59000900	1	30888	Shaft



Caroni - Rear Mower - Blade Supports
TC480NSLD, TC590NSLD, TC710NSLD & TC910NSRD

(Circled Numbers Reference Chart Below Diagram)

Blade Support for:
TC480NSLD-TC590NSLD-TC710NSLD- TC910SRD



Ref. #	Caroni Part #	QTY	ASC #	Descrip.	Ref. #	Caroni Part #	QTY	ASC #	Descrip.
37	1462	1	30935	Self Locking Nut	38	5900800	2	32842	Spacer
39	1112	2	17851	Bearing	40	1545	2	30891	Circlip
41	5900700	1	32843	Spacer	42	1234	1	32844	Fitting
43	59000600	1	45229	Support	44	59001000	1	42093	Disk
45	1461	1	30889	Key	46	59000900	1	30888	Shaft
47	71001000	1	28540	Blade	48	1801	1	32845	Washer
	59006200	1	28539	Blade					
	48007700	1	29870	Blade					
49	1219	1	30902	Self Locking Nut	50	59007210	1	29652	Gearbox Complete
						71002300	1	32833	Gearbox Complete
						F5904700	1		Gearbox Complete
						F5907100	1		Gearbox Complete
						91004900	1		Gearbox Complete
51	59007010	1	30880	Support Complete	52	1710	1		No Splined PTO Shaft
						1883	1		Splined PTO Shaft

2319	1	Splined PTO Shaft
1852	1	PTO Shaft Free Wheel