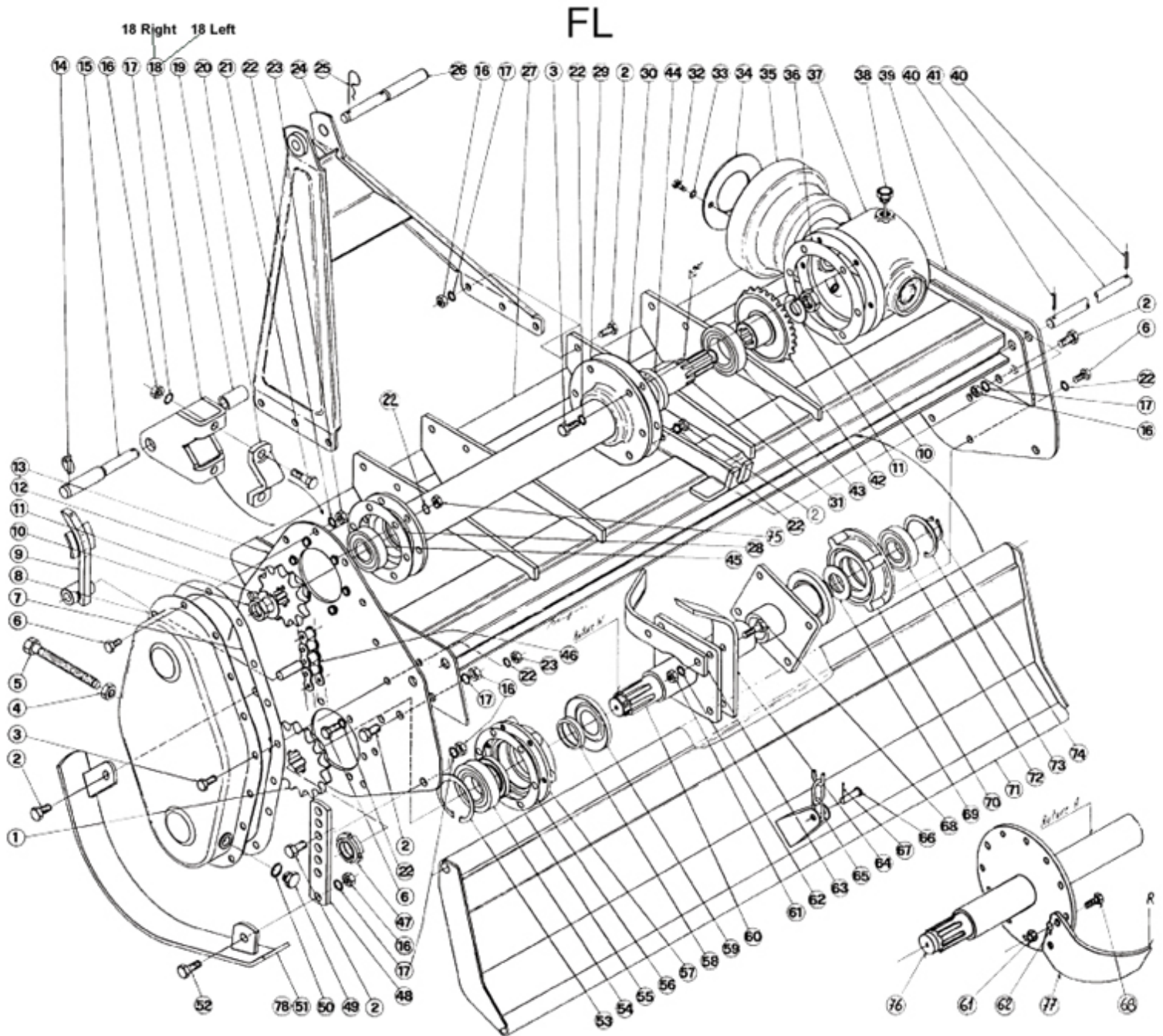




Caroni - Rotary Tiller - Complete Unit - FL1400

(Circled Numbers Reference Chart Below Diagram)



Ref. #	Caroni Part #	QTY	ASC #	Descrip.
1	FL05800	1	30914	Gear Wheel
3	1078	9	47379	Screw 10x35mm
5	FL07400	1	33067	Special Screw
7	FL11900	1	40782	Gasket
9	FL07210	1	33068	Chain Stretcher
11	BL01400	2	41884	Washer
13	FL06910	1	56220	Shield Left
15	FL12700	2	43370	Pin
17	1227	23	47394	Washer
19	FL012900	2	43371	Bush

Ref. #	Caroni Part #	QTY	ASC #	Descrip.
2	1099	19	47384	Screw
4	1104	1	41885	Nut
6	1098	24	47382	Screw
8	FL06000	1	40781	Side Housing
10	BL01300	2	41887	Nut
12	FL06100	1	30915	Gear Wheel
14	1611	4	43372	Linch Pin
16	1091	23	56167	Nut
18	FL12800	1	47511	Support Right
	FL06600	1	47497	Support Left
20	FL06700	2	47498	Coupling

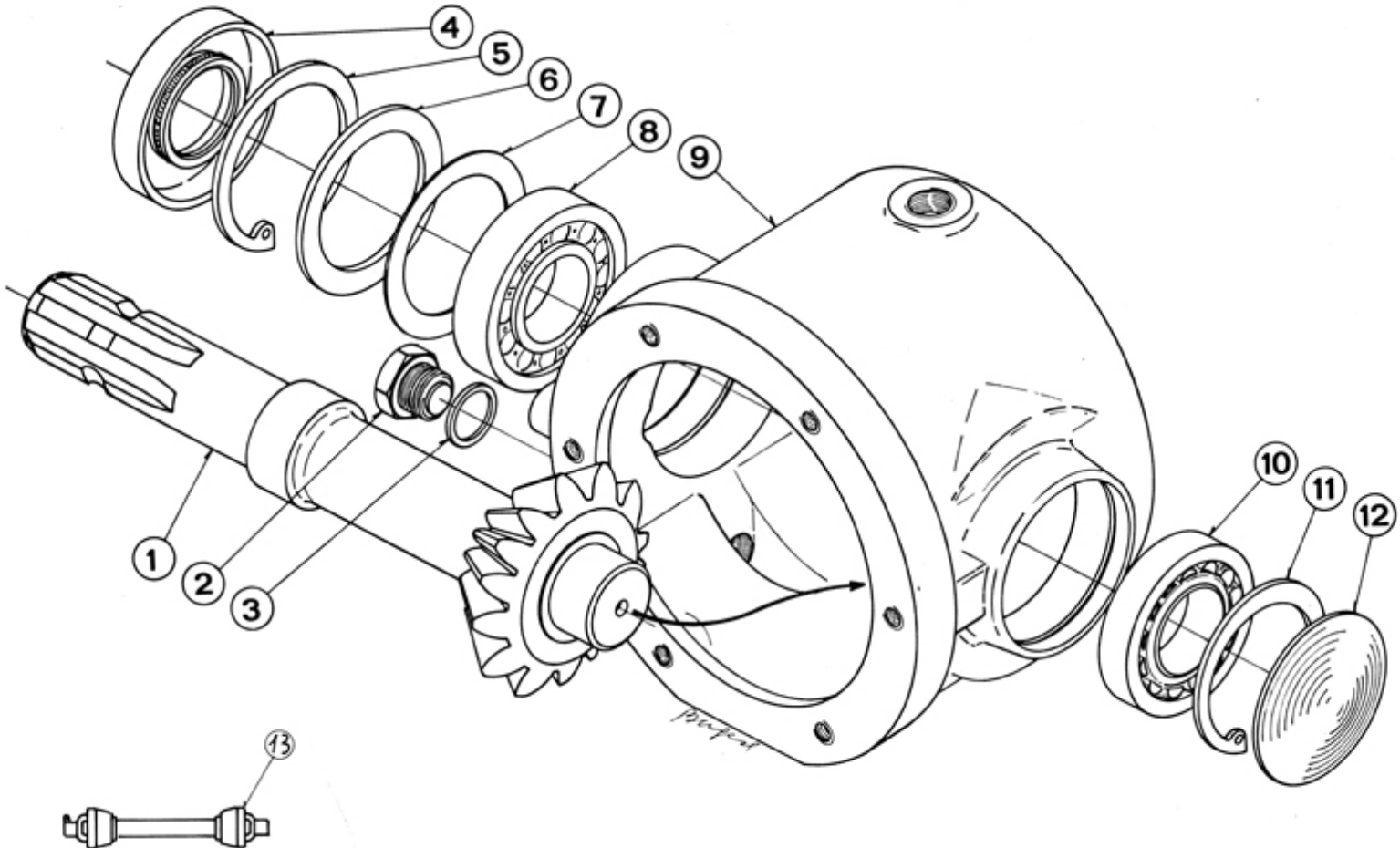
21	1944	4	47442	Screw	22	1225	41	47391	Washer
23	1080	17	56107	Nut	24	FL12400	1	40783	Hitch Frame
25	1610	1	56233	Spring Clip	26	FL13000	1	36963	Top Link Pin
27	FL16820	1	56110	Frame 140	28	BL07200	1	43425	Gasket
29	FL16200	1	56114	Transmission Tube 140	30	FL13100		47514	Shim
31	FL05500	1	52492	Transmission Shaft	32	FL16400	1	43379	Transmission Shaft 140
						1807	2	47436	Screw
33	1236	2	47399	Washer	34	59006410	1	56113	Stiffening Plate
35	59007300	1	47488	Gaurd	36	BL06900	1	52494	Gasket
37	FL13200	1	30913	Gearbox	38	1673	1	47249	Plug
39	FL04210	1	56221	Shield Right	40	1543	2	56115	Spring Dowl
41				Axle	42	BL05700	1	40785	Pinion
43	1061	1	52493	Bearing	44	1210	1	41869	Oil Seal
45	1113	1	35369	Bearing	46	1373	1	30910	Chain
47	1357	1	43700	Nut	48	FL04300	2	47494	Adjusting Bar
49	1149	1	43698	Plug	50	1213	1	43699	Washer
51	FL03700	1	30911	Skid Left	52	1088	2	47071	Screw
53	1540	1	43701	Circlip	54	1115	1	41745	Bearing
55	1932	1	41746	Oil Seal	56	BL07300	1	42211	Gasket
57	FL01520	1	43702	Support Left	58	BL01900	1	43704	Spacer
59	FL01300	1	47075	Deflector	60				Rotor
61	1105	*	56121	Nut	62	1205	*	56122	Washer
63	FL05800	1	51411	Blade Right Hand	64	FL05700	1	51412	Blade Left Hand
65	FL07300		53390	Chain	66	FL03600		56222	Pin
67	1558			Split Pin	68	1632	2	58286	Screw (7/16" x 1-1/2" Grade #5 Bolt
69	FL01200	1	43705	Deflector	70	FL01400	1	43706	Support Right
71	FL02410	1		Hood 130	72	1064	1	42375	Bearing
73	1240	1	31420	Circlip	74	1028	1	31427	Circlip
75	1220	6	31439	Self Locking Nut	76	FL19000	1	56124	Rotor 140
77	FL17400	9		Blade Right Hand	78	FL04110	1	30912	Skid Right
	FL17500	9		Blade Left Hand					



Caroni - Rotary Tiller - Transmission Boxes - FL800, FL1200 & FL1400

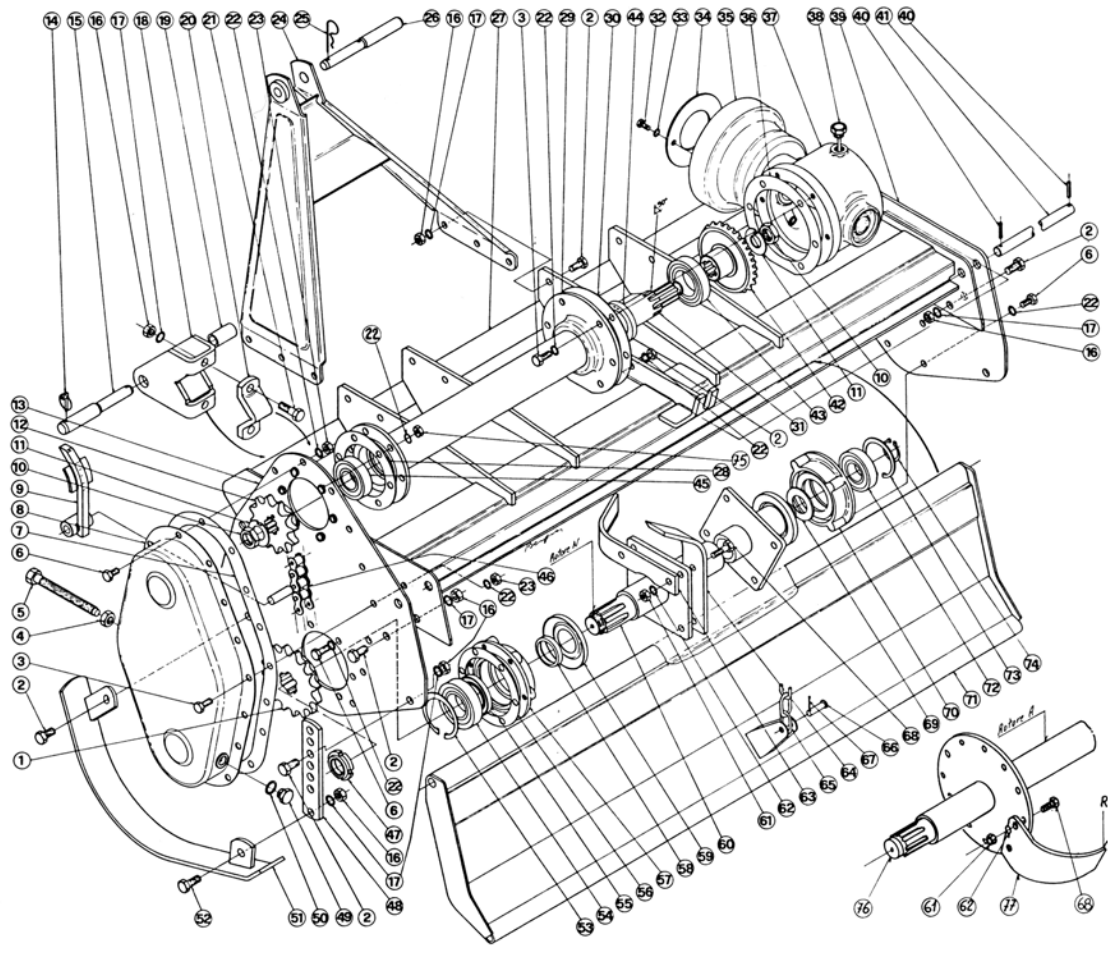
(Circled Numbers Reference Chart Below Diagram)

**FL SCATOLA DI TRASMISSIONE - TRANSMISSION BOX
TRANSMISSION COMPLET - GETRIEBE KOMPLETT**



Ref. #	Caroni Part #	QTY	ASC #	Descrip.
1	BL0300	1	56125	Pinion
3	1213	1	43699	Washer
5	1240	1	31420	Circlip
7	1799		32855	Washer
			1216	Washer
			1215	Washer
9	FL01600	1	56126	Box
11	1067	1	47376	Circlip
13	1638	1	41527	PTO Shaft
	1853	1	45905	PTO Shaft with Clutch

Ref. #	Caroni Part #	QTY	ASC #	Descrip.
2	1149	1	43698	Oil Drain Plug
4	1209	1	47389	Oil Seal
6	1538	1	47420	Washer
8	1579	1	30896	Bearing
10	1065	1	42692	Bearing
12	FL06200		47496	Cover



FL

RIF.	CODE	QTY	TYPE	DESCRIPTION
1	FL05800	1	ALL FL	GEAR WHEEL
2	1099	19	ALL FL	SCREW
3	1078	9	ALL FL	SCREW
4	1104	1	ALL FL	NUT
5	FL07400	11	ALL FL	SPECIAL SCREW
6	1098	24	ALL FL	SCREW
7	FL11900	1	ALL FL	GASKET
8	FL06000	1	ALL FL	SIDE HOUSING
9	FL07210	1	ALL FL	CHAIN STRETCHER
10	BL01300	2	ALL FL	NUT
11	BL01400	2	ALL FL	WASHER
12	FL06100	1	ALL FL	GEAR WHEEL
13	FL05910	1	ALL FL	SHIELD LEFT
14	1611	4	ALL FL	LINCH PIN
15	FL12700	2	ALL FL	PIN
16	1091	23	ALL FL	NUT
17	1227	23	ALL FL	WASHER
18	FL12800	1	ALL FL	SUPPORT RIGHT
19	FL06600	1	ALL FL	SUPPORT LEFT
20	FL012900	2	ALL FL	BUSH
21	FL06700	2	ALL FL	COULING
22	1944	4	ALL FL	SCREW
23	1225	41	ALL FL	WASHER
24	1080	17	ALL FL	NUT
25	FL12400	1	ALL FL	HITCH FRAME
26	1610	1	ALL FL	SPRING CLIP
27	FL13000	1	ALL FL	TOP LINK PIN
28	FL04720	1	FL80	FRAME
29	FL04620	1	FL90	FRAME
30	FL04520	1	FL100	FRAME
31	FL04420	1	FL110	FRAME
32	FL13710	1	FL120	FRAME
33	FL01720	1	FL130	FRAME
34	FL16820	1	FL140	FRAME
35	BL07200	1	ALL FL	GASKET
36	BL00500	1	FL80-FL90	TRANSMISSION TUBE
37	FL05200	1	FL100-FL110	TRANSMISSION TUBE
38	BL00600	1	FL130	TRANSMISSION TUBE
39	FL16200	1	FL140	TRANSMISSION TUBE
40	FL13100	1	ALL FL	SHIM
41	FL05500	1	FL80-FL90	TRANSMISSION SHAFT
42	FL05400	1	FL100-FL100	TRANSMISSION SHAFT
43	FL06000	1	FL130	TRANSMISSION SHAFT
44	FL16400	1	FL140	TRANSMISSION SHAFT
45	1807	2	ALL FL	SCREW
46	1236	2	ALL FL	WASHER
47	FL06300	1	ALL FL	STIFFENING PLATE
48	59007300	1	ALL FL	GUARD
49	BL06900	1	ALL FL	GASKET
50	FL13200	1	ALL FL	COMPLETE PTO DRIVE BOX
51	1673	1	ALL FL	PLUG
52	FL04210	1	ALL FL	SHIELD RIGHT
53	1543	2	ALL FL	SPRING DOWEL
54	FL07900	1	FL80	AXLE
55	FL08000	1	FL90	AXLE
56	FL08100	1	FL100	AXLE
57	FL08200	1	FL110	AXLE
58	FL14500	1	FL120	AXLE
59	FL08300	1	FL130	AXLE
60	FL15500	1	FL140	AXLE
61	BL05700	1	ALL FL	BEVEL GEAR BOX

RIF.	CODE	QTY	TYPE	DESCRIPTION
43	1061	1	ALL FL	BEARING
44	1210	1	ALL FL	OIL SEAL
45	1113	1	ALL FL	BEARING
46	1373	1	ALL FL	CHAIN
47	1357	1	ALL FL	NUT
48	FL04300	2	ALL FL	ADJUSTING BAR
49	1149	1	ALL FL	PLUG
50	1213	1	ALL FL	WASHER
51	FL03700	1	ALL FL	SKID LEFT
52	1088	2	ALL FL	SCREW
53	1540	1	ALL FL	CIRCLIP
54	1115	1	ALL FL	BEARING
55	1932	1	ALL FL	OIL SEAL
56	BL07300	1	ALL FL	GASKET
57	FL01520	1	ALL FL	SUPPORT LEFT
58	BL01900	1	ALL FL	SPACER
59	FL01300	1	ALL FL	DEFLECTOR
60	FL05100	1	FL80M	ROTOR
61	FL05000	1	FL90M	ROTOR
62	FL04900	1	FL100M	ROTOR
63	FL04800	1	FL110M	ROTOR
64	FL13800	1	FL120M	ROTOR
65	FL03200	1	FL130M	ROTOR
66	FL17100	1	FL140M	ROTOR
67	1105	20	FL80M	NUT
68	1105	24	FL90M	NUT
69	1105	24	FL100M	NUT
70	1105	28	FL110M	NUT
71	1105	32	FL120M	NUT
72	1105	32	FL130M	NUT
73	1105	36	FL140M	NUT
74	1105	36	FL80A	NUT
75	1105	48	FL90A	NUT
76	1105	48	FL100A	NUT
77	1105	48	FL110A	NUT
78	1105	60	FL120A	NUT
79	1105	60	FL130A	NUT
80	1105	72	FL140A	NUT
81	1105	20	FL80M	NUT
82	1205	24	FL90M	NUT
83	1205	28	FL100M	NUT
84	1205	32	FL110M	NUT
85	1205	32	FL120M	NUT
86	1205	36	FL130M	NUT
87	1205	36	FL140M	NUT
88	1205	36	FL80A	NUT
89	1205	48	FL90A	NUT
90	1205	48	FL100A	NUT
91	1205	48	FL110A	NUT
92	1205	60	FL120A	NUT
93	1205	60	FL130A	NUT
94	1205	72	FL140A	NUT
95	1205	24	FL90M	NUT
96	1205	28	FL100M	NUT
97	1205	32	FL110M	NUT
98	1205	32	FL120M	NUT
99	1205	36	FL130M	NUT
100	1205	36	FL140M	NUT
101	1205	36	FL80A	NUT
102	1205	48	FL90A	NUT
103	1205	48	FL100A	NUT
104	1205	48	FL110A	NUT
105	1205	60	FL120A	NUT
106	1205	60	FL130A	NUT
107	1205	72	FL140A	NUT
108	1205	10	FL80M	NUT
109	1205	12	FL90M	NUT
110	1205	12	FL100M	NUT
111	1205	14	FL110M	NUT
112	1205	16	FL120M	NUT
113	1205	16	FL130M	NUT
114	1205	18	FL140M	NUT
115	1205	10	FL80M	NUT
116	1205	12	FL90M	NUT
117	1205	12	FL100M	NUT
118	1205	12	FL110M	NUT
119	1205	14	FL120M	NUT
120	1205	14	FL130M	NUT

RIF.	CODE	QTY	TYPE	DESCRIPTION
65	FL07300	1	ALL FL	CHAIN
66	FL03600	1	ALL FL	PIN
67	1556	1	ALL FL	SPLIT PIN
68	1632	20	FL80M	SCREW
69	FL01200	1	ALL FL	DEFLECTOR
70	FL01400	1	ALL FL	SUPPORT RIGHT
71	FL07500	1	FL80	HOOD
72	FL07600	1	FL90	HOOD
73	FL07700	1	FL100	HOOD
74	FL07800	1	FL110	HOOD
75	FL13910	1	FL120	HOOD
76	FL02410	1	FL130	HOOD
77	FL16610	1	FL140	HOOD
78	1064	1	ALL FL	BEARING
79	1240	1	ALL FL	CIRCLIP
80	1026	1	ALL FL	CIRCLIP
81	1220	6	ALL FL	SELF LOCKING NUT
82	FL18400	1	FL80A	ROTOR
83	FL18500	1	FL90A	ROTOR
84	FL18600	1	FL100A	ROTOR
85	FL18700	1	FL110A	ROTOR
86	FL18800	1	FL120A	ROTOR
87	FL18900	1	FL130A	ROTOR
88	FL19000	1	FL140A	ROTOR
89	FL17400	9	FL80A	BLADE RIGHT HAND
90	1205	12	FL90A	BLADE RIGHT HAND
91	1205	12	FL100A	BLADE RIGHT HAND
92	1205	12	FL110A	BLADE RIGHT HAND
93	1205	15	FL120A	BLADE RIGHT HAND
94	1205	15	FL130A	BLADE RIGHT HAND
95	1205	18	FL140A	BLADE RIGHT HAND
96	FL17500	9	FL80A	BLADE LEFT HAND
97	1205	12	FL90A	BLADE LEFT HAND
98	1205	12	FL100A	BLADE LEFT HAND
99	1205	12	FL110A	BLADE LEFT HAND
100	1205	12	FL120A	BLADE LEFT HAND
101	1205	15	FL130A	BLADE LEFT HAND
102	1205	15	FL140A	BLADE LEFT HAND
103	1205	18	FL140A	BLADE LEFT HAND