

3-POINT CULTIVATOR

Operation and Parts Manual



Due to continuing improvements, actual product may differ slightly from product described herein

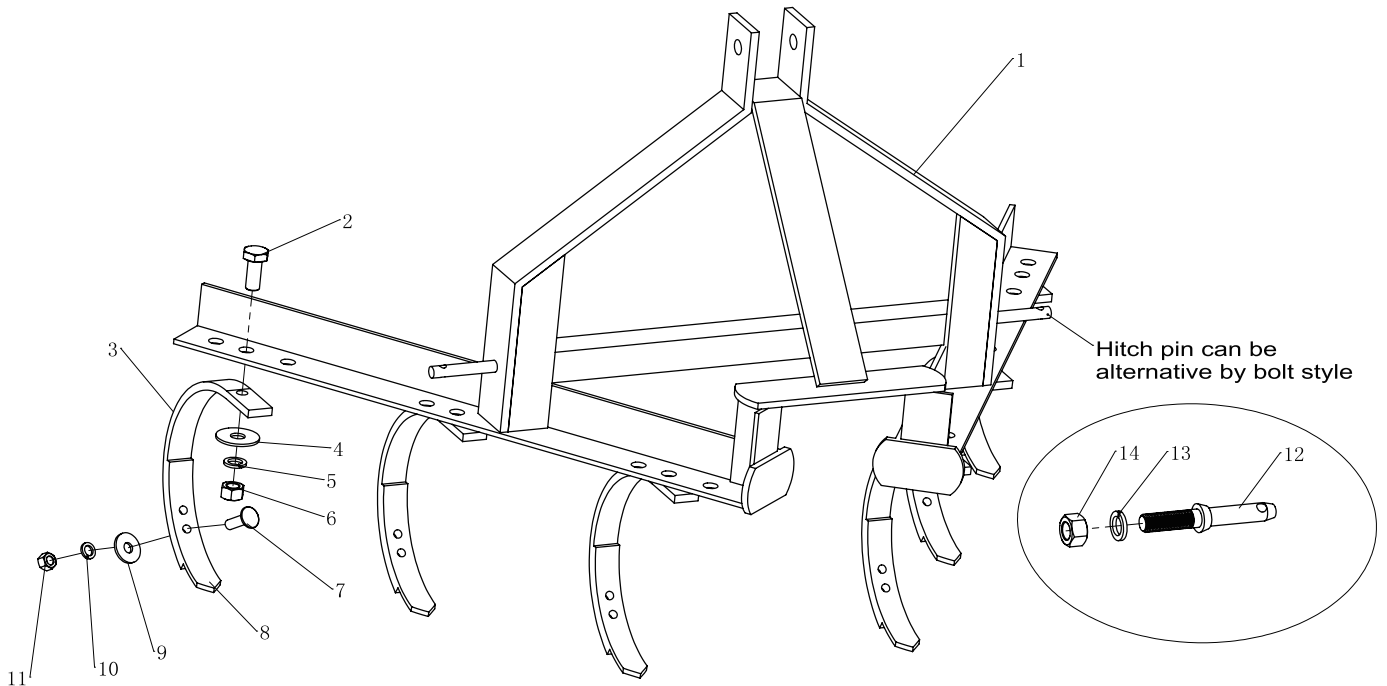
Safety Warnings And Precautions

WARNING: When using equipment, basic safety precautions should always be followed to reduce the risk of personal injury and damage to equipment.

Read all instructions before using the equipment!

1. Keep work area clean. Cluttered areas invite injuries.
2. Keep children away. Children must never be allowed in the work area. Do not let them handle machines, equipment or extension cord.
3. Store idle equipment. When not in use, equipment must be stored in a dry location to inhibit rust. Always lock up equipment and keep out of reach of children.
4. Use the right equipment for the job. Do not attempt to force a small equipment or attachment to do the work of a larger industrial equipment. There are certain applications for which the equipment was designed. It will do the job better and more safely at the rate for which it was intended. Do not modify the equipment and do not use the equipment for a purpose for which it was not intended.
5. Dress properly. Do not wear loose clothing or jewelry as they can be caught in moving parts. Protective, electrically non-conductive clothes and non-skid footwear are recommended when working. Wear restrictive hair covering to contain long hair.
6. Use eye and ear protection and protective clothing. Always wear ANSI approved impact safety goggles. Wear an ANSI approved dust mask or respirator when working around metal, wood, and chemical dusts and mists. Wearing of gloves and protective clothing is recommended.
7. Do not overreach. Keep proper footing and balance at all times.
8. Maintain equipment with care, keep equipment clean for better and safer performance. Follow instructions for lubricating and changing accessories.
9. Remove adjusting keys and wrenches. Check that keys and adjusting wrenches are removed from the equipment and machine work surface before plugging it in.
10. Stay alert watch what you are doing. Use common sense. Do not operate any equipment when you are tired.
11. Check for damaged parts. Before using any equipment and part that appears damaged should be carefully checked to determine that it will operate properly and perform its intended function. Check for alignment and binding of moving parts; any broken parts or mounting fixtures; and any other condition that may affect proper operation. Any part that is damaged should be properly repaired or replaced by a qualified technician.
12. Replacement parts and accessories. When servicing, use only identical replacement parts. Use of any other parts will void the warranty. Only use accessories intended for use with the equipment.
13. Do not operate equipment if under the influence of alcohol or drugs. Read warning labels if taking drugs. If there is any doubt, do not operate the equipment.
14. Maintenance. For your safety, service and maintenance should be performed regularly by a qualified service technician.

3 Point Cultivator Parts Breakdown



Ref No.	Parts No.	Desc.	Q'ty
1	470001	Main Frame	1
2	470002	Bolt M16x40	6
3	470003	Rake	6
4	470004	Flat Washer 16	6
5	470005	Spring Washer 16	6
6	470006	Nut M16	6
7	470007	Bolt M12x35	12
8	470008	Rake Tooth	6
9	470009	Flat Washer 12	12
10	470010	Spring Washer 12	12
11	470011	Nut M12	12
12	470012	Bolt M22	2
13	470013	Lock Washer 22	2
14	470014	Nut M22	2