

The Instruction of the 3-Point Box Blade



Please Read This Manual BEFORE Using This Tool

CAUTION

THE FOLLOWING SAFETY PRECAUTIONS SHOULD BE THOROUGHLY UNDERSTOOD BEFORE ATTEMPTING TO BEGIN ASSEMBLING THIS MACHINE

1. Select an area for assembly that is clean and free of any debris which might cause persons working on the assembly to trip.
2. Do not lift heavy parts or assemblies. Use crane, jack, tackle, fork trucks or other mechanical devices.
3. Preview the assembly instructions in your operator's manual before proceeding further.
4. If the assembly instructions call for parts or assemblies to be blocked up, use only blocks material that is good condition and is capable of handling the weight of the assembly to be blocked. Also insure that the blocking material is on a clean, dry surface.
5. Never put hands, or any part of body, under blocked up assemblies if at all possible.
6. After completing assembly, thoroughly inspect the machine to be sure that all nuts, bolts, hydraulic fittings or any other fastened assemblies have been thoroughly tightened.
7. Before operating the machine, thoroughly read the operation section of your operator's manual.
8. Before operating, read the machine section of your operator's manual to be sure that any parts requiring lubrication, such as gearbox, to avoid any possible damage.
9. Before operating equipment – if you have any questions regarding the proper assembly or operation, contact you dealer or representative.

EQUIPMENT SAFETY GUIDELINES

1. Never use alcoholic beverages or drugs which can hinder alertness or coordination while operating this equipment. Consult your doctor about operating this machine while taking prescription medications.
2. Review the safety instructions with all users annually.
3. This equipment is dangerous to children and persons unfamiliar with its operation. The operator should be a responsible adult familiar with farm machinery and trained in this equipment's operations. **Do not allow persons to operate or assemble this unit until they have read this manual and have developed a thorough understanding of the safety precautions and of how works.**
4. Never exceed the limits of a piece of machinery.
5. Do not modify the equipment in any way. Unauthorized modification may impair the function and could affect the life of equipment.

OPERATIONAL SAFETY

1. The use of this equipment is subject to certain hazards which cannot be protected against by mechanical means or product design. All operators of this equipment must read and understand this entire manual, paying particular attention to operating, prior to using. If there is something in this manual you do not understand, ask your supervisor, or your dealer, to explain it to you.
2. Personal protection equipment including hard hat, safety glasses, safety shoes, and gloves are recommended during assembly.
3. Never permit any person other than the operator to ride or board the tractor or implement at any time. **Never allow anyone to ride on the implement!**
4. A heavy load can cause instability in driving a tractor. Make sure the front or rear of the tractor is properly counter-balanced with weights, Always drive slowly-especially around turns. An unstable tractor could steer badly and possibly tip over, causing injury or death.
5. Most accidents occur because of neglect or carelessness. Keep all helpers and bystanders at a safe distance.
6. Use stabilizer bars, adjustable sway chains, or sway blocks on your tractor lift arms to keep the rear blade from swinging side to side. Adjust as tightly as practical for best performance.

7. Do not operate close to ditches or creeks. Slow down when operating over rough ground.
8. When adjusting the angle of the moldboard assembly, be sure that your feet are never under the rear blade.
9. Be careful to avoid catching the rear blade on stumps or other immovable objects.

MAINTENANCE SAFETY

1. Keep all persons away from operator control area while performing adjustments, service, or maintenance.
2. Periodically tighten all bolts, nuts and screws and check that all cotter pins are properly installed to ensure unit is in a safe condition.
3. Never use your hands to locate a hydraulic leak on attachments. Use a small piece of cardboard or wood.
4. Never replace hex bolts with less than grade five bolts unless otherwise specified. Refer to bolt torque chart for head identification marking.

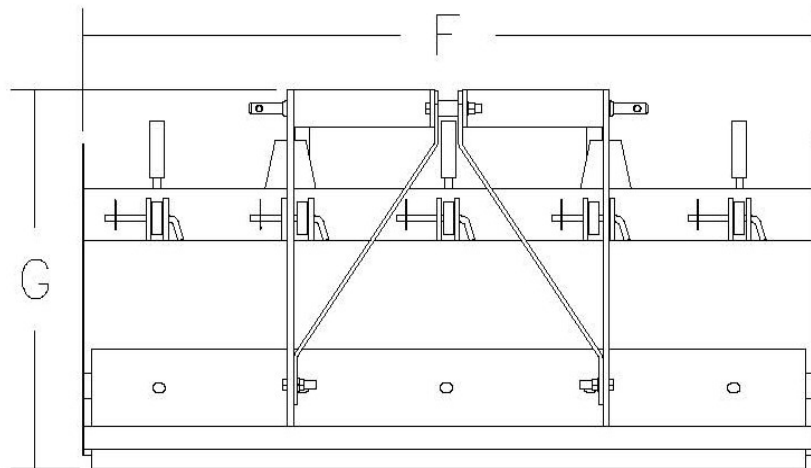
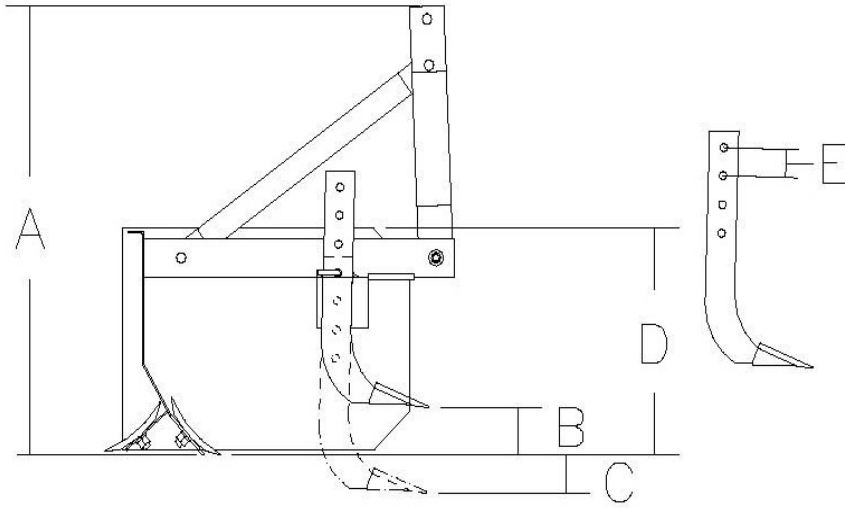
STORAGE SAFETY

1. Store the unit in an area away from human activity. Do not permit children to play on or around the stored unit.
2. Make sure all parked machines are on a hard, level surface and engage all safety devices.
3. At the end of the working season or when the box blade will not be used for a long period, it is good practice to clean off any dirt or grease that may have accumulated on the blade and any of the moving parts.
4. Inspect the blade for loose, damaged or worn parts and adjust or replace if needed.
5. Repaint parts where paint is worn or scratched to prevent rust.
6. Store box blade in a clean, dry place.

ALWAYS OBEY ALL SAFETY RULES!

ALWAYS BE CAREFUL!

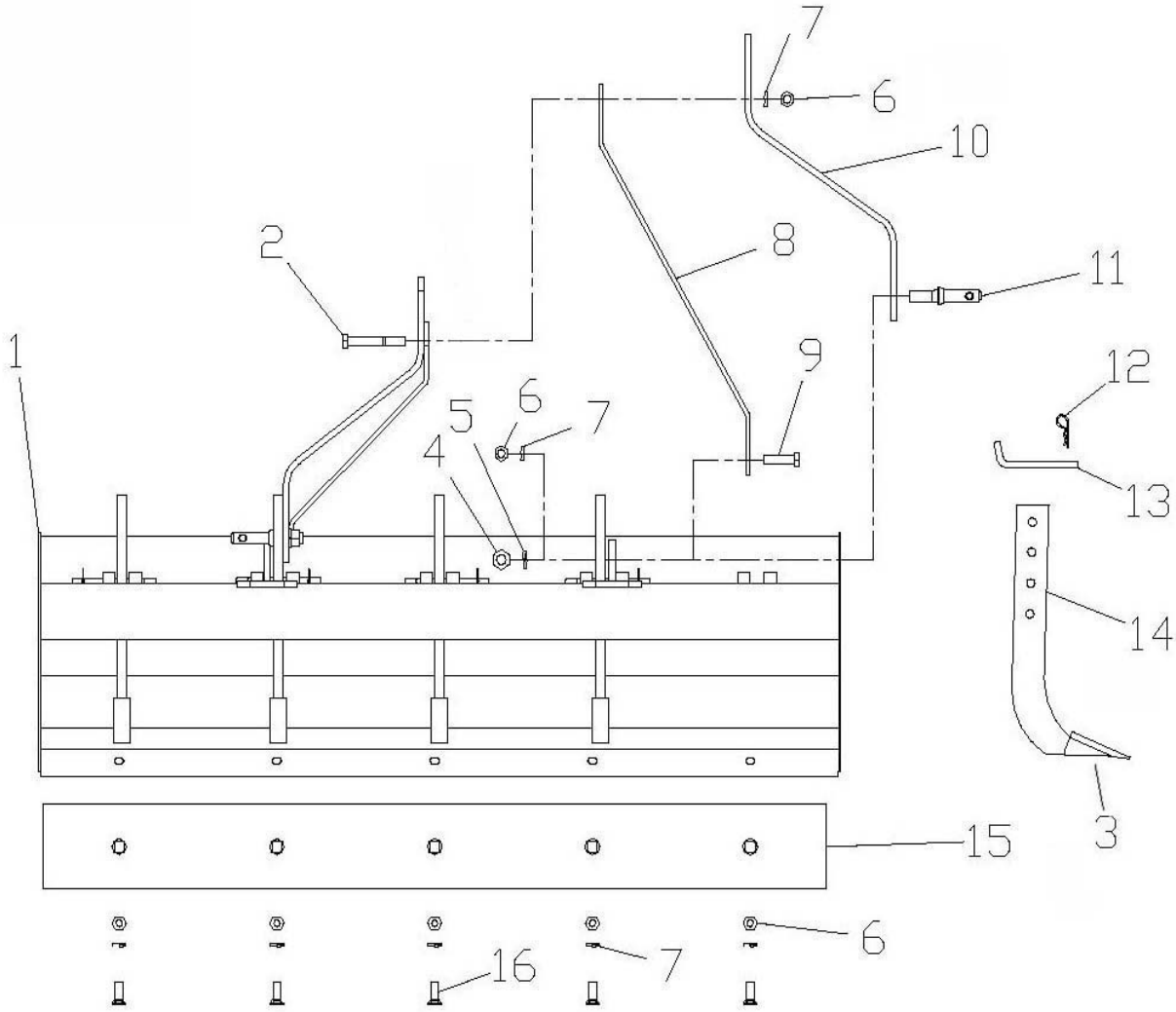
Box Blade Dimensions



Dimensions for 4Ft, 5Ft & 6Ft Box Blade

Location	Description	Measurement		
		4Ft	5Ft	6Ft
A	Box Overall Height	34-5/8"	34-5/8"	34-5/8"
B	Maximum Ripper Height	3-5/8"	3-5/8"	3-5/8"
C	Maximum Ripper Depth	3"	3"	3"
D	Box Height	17-1/2"	17-1/2"	17-1/2"
E	Ripper Adjustment	2-1/8"	2-1/8"	2-1/8"
F	Box Overall Width	48"	60"	72"
G	Box Over Depth	29-1/4"	29-1/4"	29-1/4"

Box Blade Parts Assembly



Parts List

Item	Description	Qty.
1	Scraper Box Frame	1
2	Bolt M16x110	1
3	Spacer	4/5/6
4	Nut M22	2
5	Lock Washer M22	2
6	Nut M16	Vary
7	Lock Washer M16	Vary
8	Brace	2
9	Bolt M16x60	2
10	3-Point Lift Bracket	2
11	Lift Pin	2
12	Hair Pin	Vary
13	Scraper Tooth Pin	4/5/6
14	Scraper Tooth	4/5/6
15	Scraper Blade	2
16	Scraper Blade Bolt M16x30	Vary
<i>*17</i>	<i>Pin</i>	<i>1</i>
<i>*18</i>	<i>Hair Pin</i>	<i>1</i>
<i>* Optional Parts</i>		