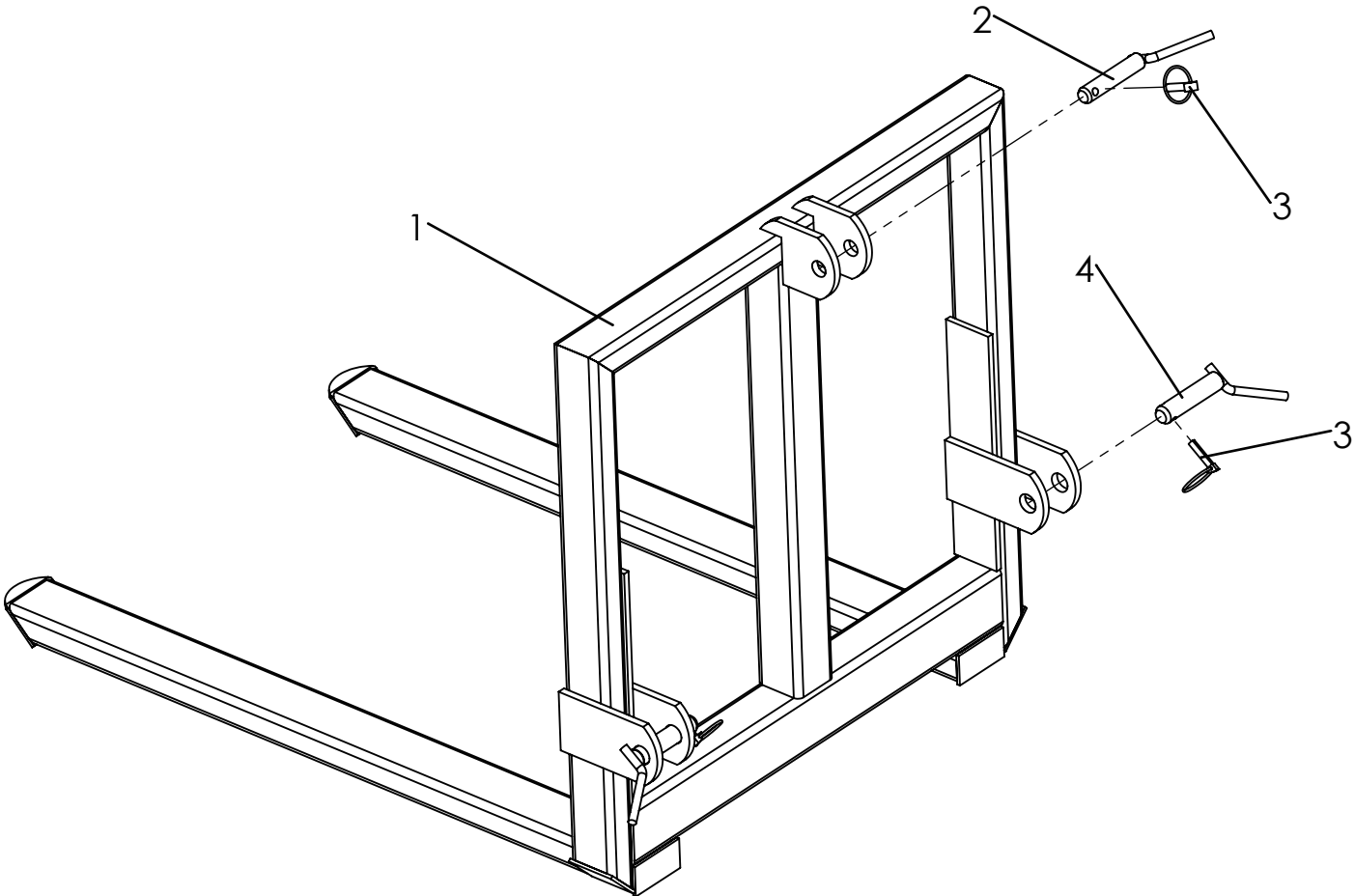


# 3 Point Heavy Duty Pallet / Bale Mover Parts Breakdown



REF NO.	PART NO.	DESCRIPTION	Q'TY
1	540001	Main Frame	1
2	540002	Top Link Pin $\Phi 25 \times 125$	1
3	540003	Lynch Pin $\Phi 8$	3
4	540004	Lift Pin $\Phi 28 \times 125$	2