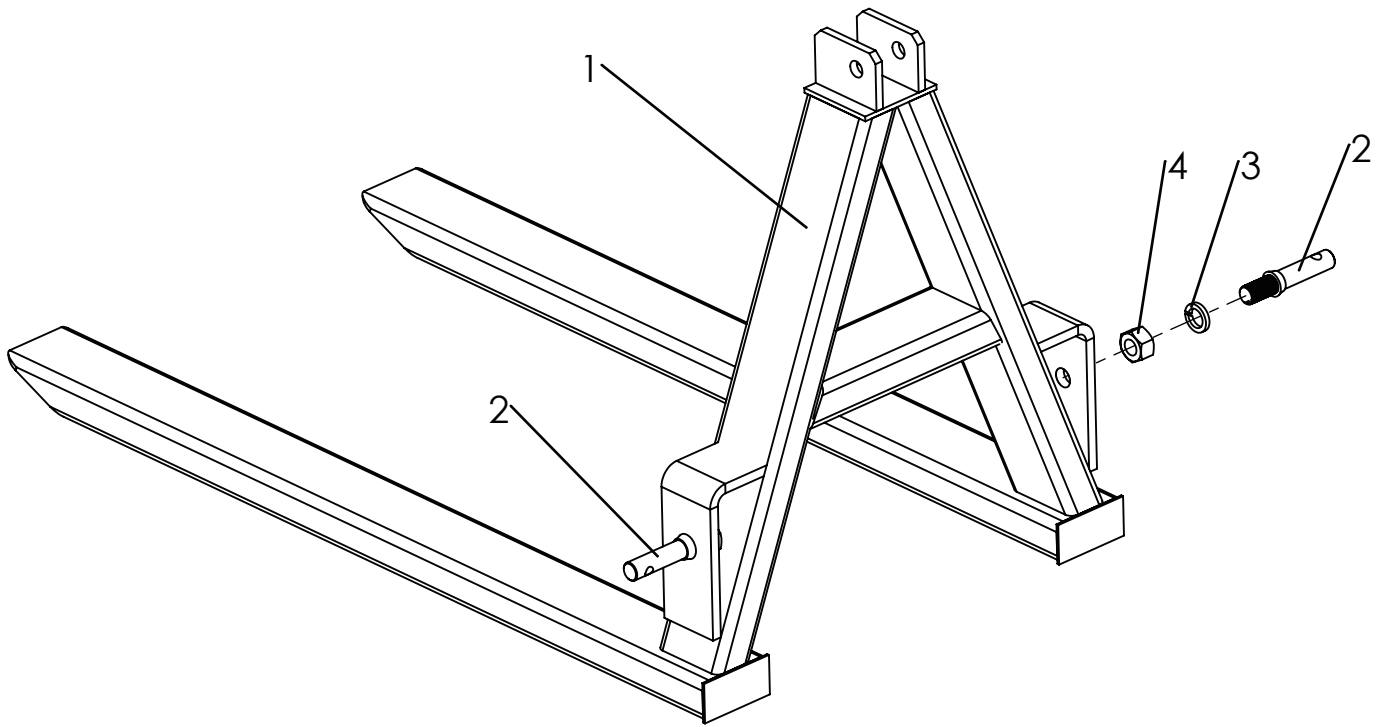


# 3 Point Pallet Fork Parts Breakdown



REF NO.	PART NO.	DESCRIPTION	Q'TY
1	550001	Main Frame	1
2	550002	Long Bolt $\Phi 22$	2
3	550003	Lock Washer $\Phi 22$	2
4	550004	Nut $\Phi 22$	2