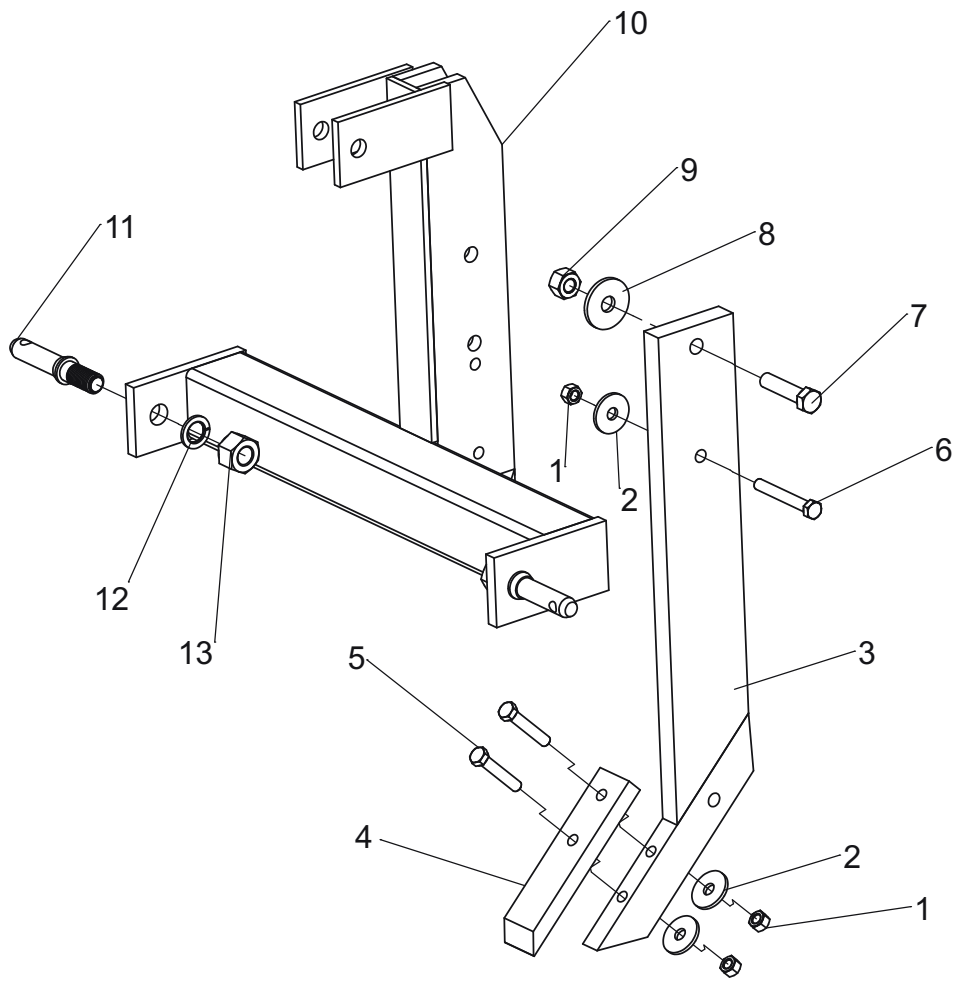


# SUBSOILER



# SUBSOILER



Part No.	Description	Q'ty
1	Lock nut M12	3
2	Washer 12	3
3	Shank	1
4	Tooth	1
5	Blot M12x85	2
6	Blot M12x65	1
7	Blot M16x70	1
8	Washer 16	1
9	Lock nut M16	1
10	Main frame	1
11	Hitch pin	2
12	Lock washer 22	2
13	Bolt M22	2