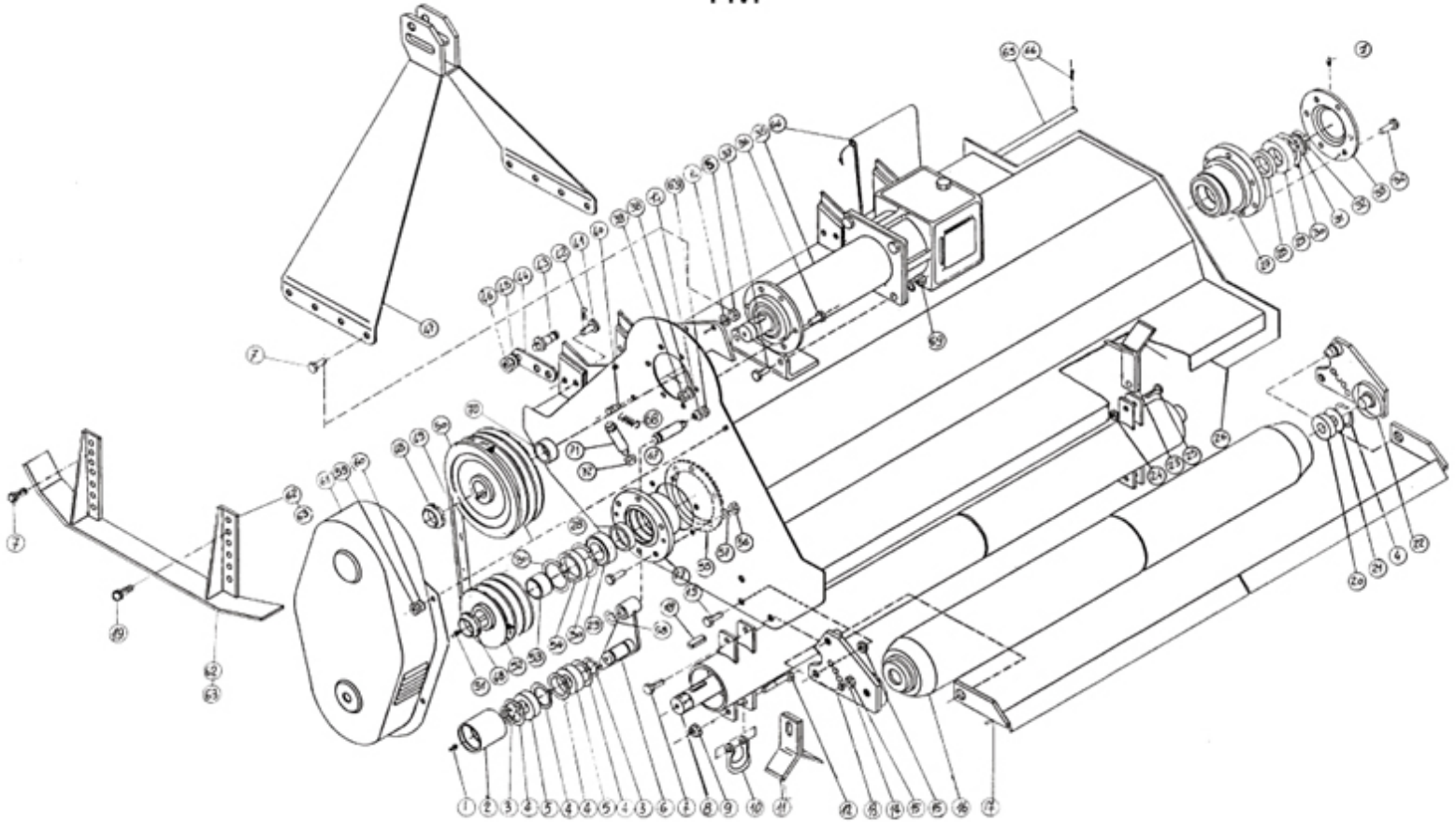




## Caroni - Flail Mower - Complete Unit - TM1900

(Circled Numbers Reference Chart Below Diagram)

### TM



Ref. #	Caroni Part #	QTY	ASC #	Descrip.	Ref. #	Caroni Part #	QTY	ASC #	Descrip.
1	1234	6	32844	Fitting	2	10004300	1	40848	Belt Stretcher
3	1546	2	31419	Circlip	4	1545	6	30891	Circlip
5	1112	2	56165	Bearing	6	20005610	1	40849	Stretcher
7	1088	14	47071	Screw	8	10013200	1	56166	Rotor TM1900 BSC
9	1220	28	31439	Self Locking Nut	10	2000700	28	30839	Clevis for Type B Rotor
11	10007400	56	30838	Blade	12	1407	28	31438	Screw 10x80mm
13	10008300	1	40856	Left Support for Roller	14	1227	23	47394	Washer
15	1091	23	56167	Nut	16	10003500	1	56168	Roller TM1900
17	10002700	1	56169	Scraping TM1900	18	1439	3	31429	Key
19	1994	6	47442	Screw	20	1874	2	31418	Bearing
21	20008200	2	41526	Washer	22	10008200	1	40855	Right Support for Roller
23	5001200	112	49410	Blade	24	1220	56	31439	Self Locking Nut
25	2030	56	54962	Screw TM1900	26	10002300	1		Frame
						10005400	1		Frame
						10005500	1		Frame
						10015100	1		
						10015200	1		
						10015300	1		
						10016200	1		
						10016300	1		
						10016400	1		
27	10001600	2	40858	Support	28	1206	2	31417	Oil Seal

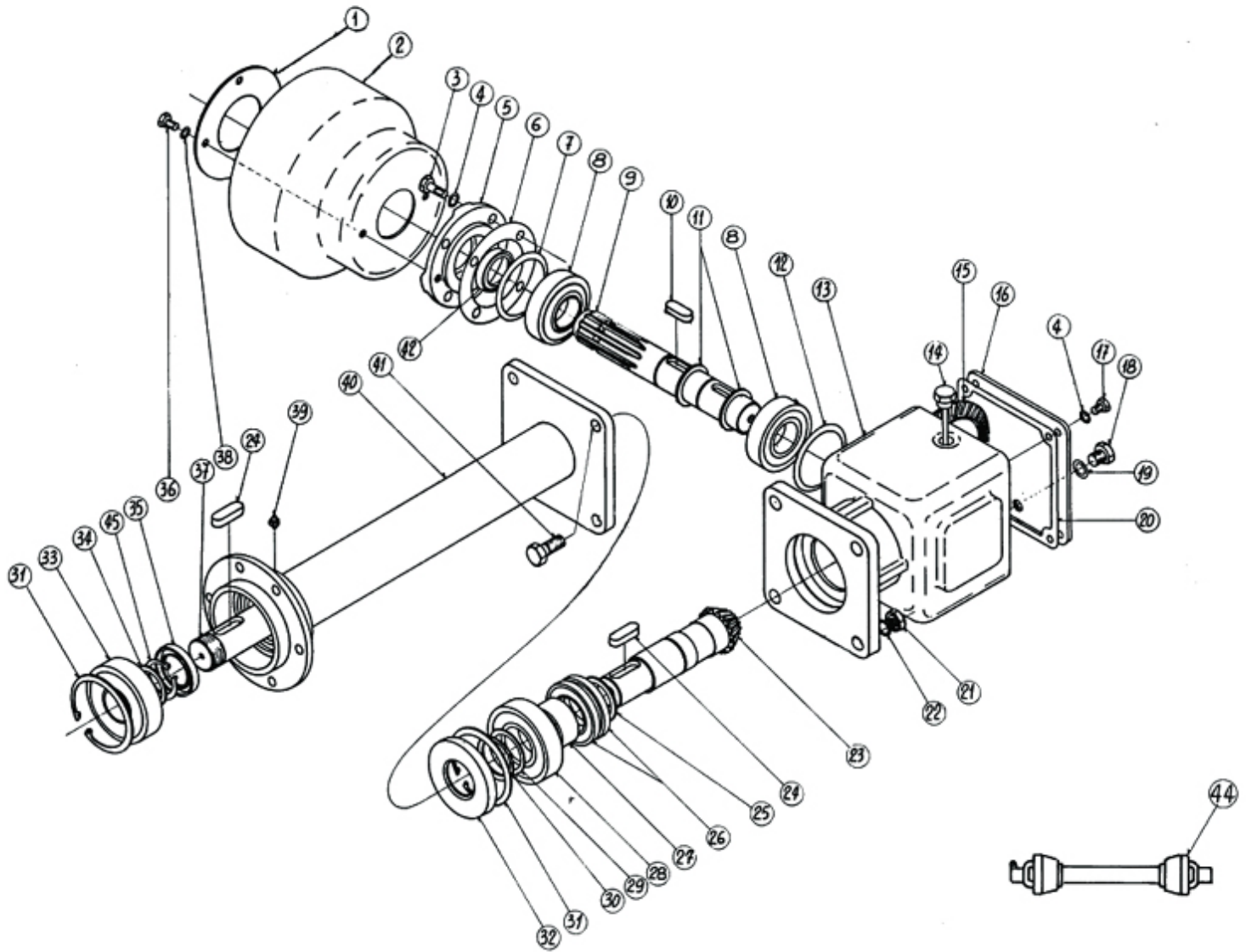
29	1872	2	31416	Support	30	1240	3	31420	Circlip
31	1568	2	35207	Washer	32	1572	2	31421	Circlip
33	10006300	1	40859	Cover	34	1659	6	56156	Screw
35	10013500	1		Complete Transmission Box	36	1078	6	47379	Screw 10x35mm
37	2011	2	56171	Screw	38	1225	18	47391	Washer
39	1080	18	56107	Nut	40	10007800	1	52119	Pin
41	15001510	4	47417	Pin	42	1183	4	56236	Spring Clip
43	59003800	2	43279	Pin	44	10003800	2	56172	Plate for Lift
45	1928	2	47439	Washer	46	1027	2	32866	Nut
47	10003000	1	56173	Hitch Frame	48	1357	2	43700	Nut
49	2142	3	20992	Belt	50	10005900	1	31422	Pulley
51	1870	1	56174	Fitting	52	10006020	1	40854	Pulley
53	10005800	1	40857	Spacer	54	1868	1	31424	Oil Seal
55	10006100	2	56175	Cover	56	1080	18	56107	Nut
57	1225	18	47391	Washer	58	1571	1	31425	Circlip
59	1222	5	40851	Self Locking Nut 8mm	60	1231	4	47398	Washer
61	10001200	1	56176	Cover	62	10003700	1	31412	Skid Right
63	10003600	1		Skid Left	64	10006200	14		Guard
65	10004600	1	56182	Tringle TM1900	66	1556	2		Linch Pin
67	20005800	1	40852	Pin	68	10009000	1	52118	Spring
69	1558	2	30886	Self Locking Nut 12mm	70	10000900	1	56159	Spacer
71	10007300	1	40850	Pin - Tie Rod	72	1222	1	40851	Self Locking Nut 8mm



## Caroni - Flail Mower - Transmission Box - TL & TM Models

(Circled Numbers Reference Chart Below Diagram)

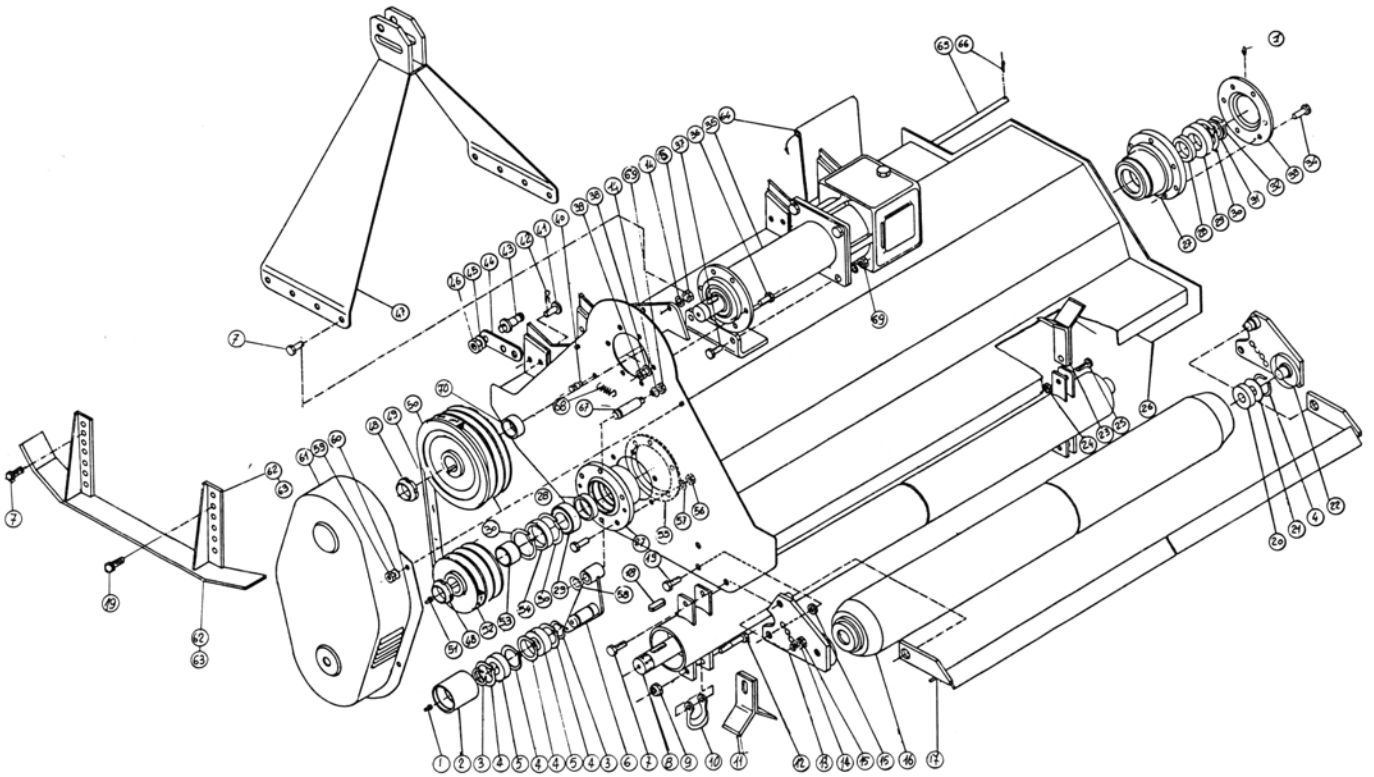
### Transmission Box for the TL and the TM Models



Ref. #	Caroni Part #	QTY	ASC #	Descrip.
1	59006400	1	47486	Disk
3	1083	4	47380	Screw
5	59002720	1	32853	Cover
7	1799	1	32855	Washer
9	F5901500	1		Shaft
11	10261572	3		Circlip
13	10000800	1		Box
15	59003100	1	30900	Pinion
17	1490	4	47416	Screw 8x20mm
19	1954	1	56180	Washer
21	1558	2	30886	Self Locking Nut 12mm
23	59003000	1	30899	Pinion
25	1432	1	32861	Washer
27	F1500400	1	32862	Spacer

Ref. #	Caroni Part #	QTY	ASC #	Descrip.
2	59007300	1	47488	Guard
4	1226	8	47392	Washer
6	59003500	1	32854	Gasket
8	1579	2	30896	Bearing
10	1449	1	31428	Key
12	1799	1	32855	Washer
14	1477	1	47415	Plug
16	59002800	1		Cover
18	1949	1	56179	Screw
20	59003400	1	32858	Gasket
22	1227	2	47394	Washer
24	1439	2	31429	Key
26	1770	2	31431	Bearing
28	1401	1	30894	Bearing

29	1431	1	32864	Washer	30	1459	1	31432	Circlip
31	1539	2	31433	Circlip	32	1450	1	30898	Oil Seal
33	1875	1	31434	Support	34	1568	1	35207	Washer
35	1869	1	31435	Oil Seal	36	1807	2	47436	Screw
37	10000700	1	40860	Shaft	38	1236	2	47399	Washer
39	1234	1	32844	Fitting	40	10000400	1	56181	Transmission Tube
41	1944	2	47442	Screw	42	1451	1	30897	Oil Seal
43	10001300	1	54963	Gearbox Complete	44	1883	1	54718	PTO Shaft
						1852	1		PTO Shaft
45	1572	1	31421	Circlip	46	59000900	1	30888	Shaft
47	71001000	1	28540	Blade	48	1801	1	32845	Washer
	59006200	1	28539	Blade					
	48007700	1	29870	Blade					
49	1219	1	30902	Self Locking Nut	50	59007210	1	29652	Gearbox Complete
						71002300	1	32833	Gearbox Complete
						F5904700	1		Gearbox Complete
						F5907100	1		Gearbox Complete
						91004900	1		Gearbox Complete
51	59007010	1	30880	Support Complete	52	1710	1		No Splined PTO Shaft
						1883	1		Splined PTO Shaft
						2319	1		Splined PTO Shaft
						1852	1		PTO Shaft Free Wheel



## T M

RIF.	CODE	QTY	TYPE	DESCRIPTION
1	1234	6	TL TM	FITTING
2	10004300	1	TL TM	BELT STRETCHER
3	1546	2	TL TM	CIRCLIP
4	1545	6	TL TM	CIRCLIP
5	1112	2	TL TM	BEARING
6	20005610	1	TL TM	STRETCHER
7	1088	14	TL TM	SCREW
8	10013200	1	TM1900BSC	ROTOR
	10012900	1	TM1600BSC	ROTOR
	10012600	1	TM1300BSC	ROTOR
	10013100	1	TM1900ASC	ROTOR
	10012800	1	TM1600ASC	ROTOR
	10012500	1	TM1300ASC	ROTOR
	10013300	1	TM1900FSC	ROTOR
	10013000	1	TM1600FSC	ROTOR
	10012700	1	TM1300FSC	ROTOR
9	1220	28	TM1900BSC	NUT
		24	TM1600BSC	NUT
		20	TM1300BSC	NUT
10	20000700	28	TM1900BSC	SUPPORT
		24	TM1600BSC	SUPPORT
		20	TM1300BSC	SUPPORT
11	10007400	56	TM1900BSC	BLADE
		48	TM1600BSC	BLADE
		40	TM1300BSC	BLADE
12	1407	28	TM1900BSC	SCREW
		24	TM1600BSC	SCREW
		20	TM1300BSC	SCREW
13	10008300	1	TL TM	SUPPORT
14	1227	23	TL TM	WASHER
15	1091	23	TL TM	NUT
16	10003500	1	TM1900	ROLLER
	10006500	1	TM1600	ROLLER
	10006600	1	TM1300	ROLLER
17	10002700	1	TM1900	SCRAPING
	10006900	1	TM1600	SCRAPING
	10007000	1	TM1300	SCRAPING
18	1439	3	TL TM	KEY
19	1944	6	TL TM	SCREW
20	1874	2	TL TM	BEARING
21	20008200	2	TL TM	WASHER
22	10008200	1	TL TM	SUPPORT
23	05001200	112	TM1900FSC	BLADE
		96	TM1600FSC	BLADE
		80	TM1300FSC	BLADE
24	1220	56	TM1900FSC	NUT
		48	TM1600FSC	NUT
		40	TM1300FSC	NUT
25	2030	56	TM1900FSC	SCREW
		48	TM1600FSC	SCREW
		40	TM1300FSC	SCREW

RIF.	CODE	QTY	TYPE	DESCRIPTION
26	10002300	1	TM1900	FRAME
	10005400	1	TM1600	FRAME
	10005500	1	TM1300	FRAME
27	10001600	2	TL TM	SUPPORT
28	1206	2	TL TM	OIL SEAL
29	1872	2	TM	BEARING
30	1240	3	TL TM	CIRCLIP
31	1568	2	TL TM	WASHER
32	1572	2	TL TM	CIRCLIP
33	10006300	1	TL TM	COVER
34	1659	6	TL TM	SCREW
35	10013500	1	TL TM	COMPLET TRANS. BOX
36	1078	6	TL TM	SCREW
37	2011	2	TL TM	SCREW
38	1225	18	TL TM	WASHER
39	1080	18	TL TM	NUT
40	10007800	1	TL TM	PIN
41	15001510	4	TM	PIN
42	1183	4	TM	LINCH PIN
43	59003800	2	TL TM	PIN
44	10003800	2	TM	BLADE
45	1928	2	TL TM	WASHER
46	1027	2	TL TM	NUT
47	10003000	1	TL TM	HITCH FRAME
48	1357	2	TL TM	NUT
49	2142	3	TL TM	BELT
50	10005900	1	TM	PULLEY
51	1870	1	TL TM	FITTING
52	10006020	1	TM	PULLEY
53	10005800	1	TL TM	SPACER
54	1868	1	TL TM	OIL SEAL
55	10006100	2	TL TM	COVER
56	1080	18	TL TM	NUT
57	1225	18	TL TM	WASHER
58	1571	1	TL TM	CIRCLIP
59	1222	5	TL TM	NUT
60	1231	4	TL TM	WASHER
61	10001200	1	TL TM	COVER
62	10003700	1	TL TM	SKID RIGHT
63	10003600	1	TL TM	SKID LEFT
64	10006200	14	TM1900	GUARD
		12	TM1600	GUARD
		10	TM1300	GUARD
65	10004600	1	TM1900	AXLE
	10004500	1	TM1600	AXLE
	10004400	1	TM1300	AXLE
66	1556	2	TL TM	LINCH PIN
67	20005800	1	TL TM	PIN
68	10009000	1	TL TM	SPRING
69	1558	2	TL TM	NUT
70	10000900	1	TL TM	SPACER