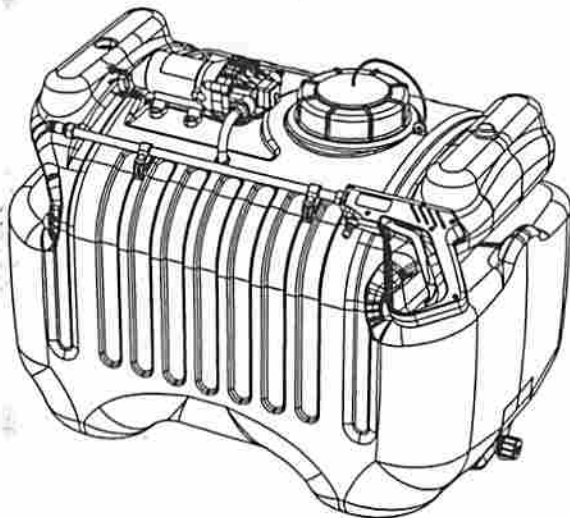


ASC 83565

OWNER'S MANUAL

Model: LG-40-DLX (5302186)

(40 Gallon Lawn & Garden Deluxe Spot Sprayer)



BEFORE RETURNING THIS PRODUCT FOR ANY REASON, PLEASE CALL 1-800-831-0027

IF YOU SHOULD HAVE A QUESTION OR EXPERIENCE A PROBLEM WITH YOUR FIMCO INDUSTRIES PRODUCT: 1-800-831-0027

BEFORE YOU CALL, PLEASE HAVE THE FOLLOWING INFORMATION AVAILABLE: SALES RECEIPT & MODEL NUMBER. IN MOST CASES, A FIMCO INDUSTRIES EMPLOYEE CAN RESOLVE THE PROBLEM OVER THE PHONE.

General Information

Thank you for purchasing this product. The purpose of this manual is to assist you in operating and maintaining your lawn and garden spot sprayer. Please read it carefully, as it furnishes information which will help you achieve years of trouble-free operation.

Warranty/Parts/Service

Products are warranted for one year from date of purchase against manufacturer or workmanship defects.

Commercial users have a 90 day warranty.

Your authorized dealer is the best source of replacement parts and service. To obtain prompt, efficient service, always remember to give the following information...

- Correct Part Description and/or part number.
- Model number/Serial number of your sprayer.

Part descriptions and part numbers can be obtained from the illustrated parts list section(s) of this manual.

Whenever you need parts or repair service, contact your distributor/dealer first. For warranty work, always take your original sales slip, or other evidence of purchase date, to your distributor/dealer.

Technical Specifications

- 40 Gallon Corrosion-Resistant Polyethylene Tank
- 12 Volt Diaphragm Pump, 2.1 g.p.m. / 60 psi
- Deluxe Pistol-Grip Handgun with 15 Ft. Handgun Hose
- 25 Ft. max. vertical throw, 35 Ft. max. horizontal throw
- Suction Line Filter

Assembly

Your sprayer has been mostly assembled at the factory. One requirement will be for you to hook up your battery leads to a fully charged 12 Volt battery. The red wire must be connected to the "hot" lead, and the black wire should be connected to the ground.

Remove the drain plug assembly and handgun clips from the parts bag and place them onto the tank as shown in the exploded view drawing.

CAUTION: Always check the vehicle load rating before using this sprayer. Do not exceed the recommended rating.

Testing the Sprayer

NOTE: It is VERY important for you to test your sprayer with plain water before actual spraying is attempted. This will enable you to check the sprayer for leaks, without the possibility of losing any expensive chemicals.

Conditions of weather and terrain must be considered when setting the sprayer. Do not spray on windy days. Protective clothing must be worn in some cases.

Be sure to read the chemical label(s) correctly!

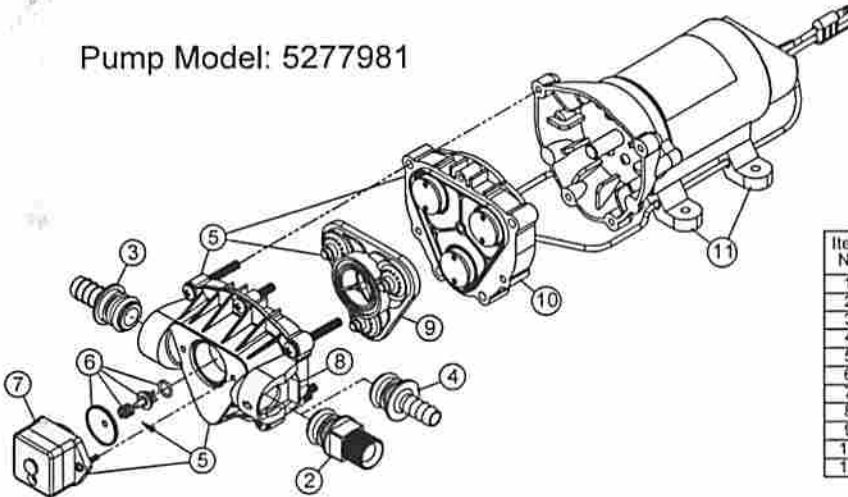


www.fimcoindustries.com

1000 FIMCO Lane, P.O. Box 1700, North Sioux City, SD 57049
Toll Free Phone: 800-831-0027 : Toll Free Fax: 800-494-0440

[Part Number: 5008366 (03/14)] Printed in the U.S.A.

Pump Model: 5277981



Available Replacement Parts

Item No	Part Number	Qty	Description
1	5157205	1	7.5 Amp 'Mini Blade' Fuse
2	5168832	1	Port Kit Fitting, 1/2" MNPT
3	5168833	1	Port Kit Fitting, 1/2" Hose Barb
4	5168836	1	Port Kit Fitting, 3/8" Hose Barb
5	5168837	1	Upper Housing Assembly
6	5168839	1	Plunger Kit
7	5157202	1	Pressure Switch Assembly
8	20408-000	1	Pkg. (2) Clips (Port Fitting)
9	5168820	1	Check Valve Kit (w/O-Ring)
10	5168838	1	Diaphragm/Piston/Cam/Bearing Kit
11	5095202	1	Mounting Feet (Pkg of 4)

Troubleshooting the Pump:

Motor does not run:

- Check for loose wiring connection(s).
- Make sure the 'ON/OFF' switch in the lead wire assembly is in the 'ON' position. "I" is the 'ON' position, and 'O' is the 'OFF' position.
- Check for defective pressure switch. Make sure you are connected to a good 12 volt power source. Make sure your on/off switch is in the 'on' position. Remove the cap to the pressure switch. Pull both red wires off of their terminals, and touch the two ends together. If your pump runs when you do this, your pressure switch will need to be replaced.
- Check the fuse.
- Check for low voltage at the power supply.

Pump does not prime:

- Check for air leaks in supply line.
- Check for debris in the check valve assembly.
- Check for defective check valve.
- Check for clogged strainer/filter.
- Check for cracks in the pump housing.
- Check for empty product supply.

Pulsating flow (surging):

- Check for defective pressure switch.
- Check for leaks in the discharge line.
- Check for restriction in the discharge line.
- Check for debris in nozzle orifice.
- Discharge hose may be too long.
- Check for clogged strainer.

Motor continues to run after discharge is shut off:

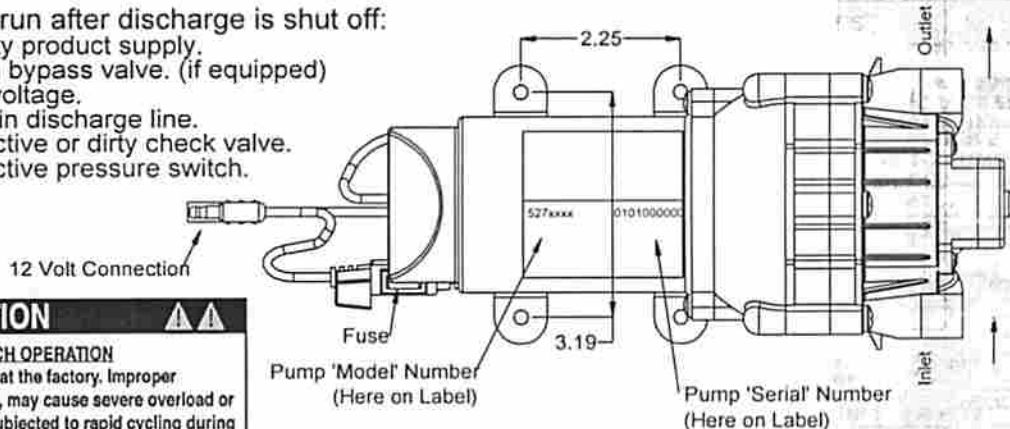
- Check for empty product supply.
- Check for open bypass valve. (if equipped)
- Check for low voltage.
- Check for leak in discharge line.
- Check for defective or dirty check valve.
- Check for defective pressure switch.

STOP WARNING STOP

DO NOT USE PUMP IN AN EXPLOSIVE ENVIRONMENT. DO NOT USE TO PUMP FLAMMABLE FLUIDS, GASOLINE, KEROSENE, FUEL, OIL, ETC.

Pump Specifications	
Flow Rate:	2.1 GPM @ Open Flow
Current:	4.5 Amps @ 30 PSI
Check Valve:	Viton
Port Type:	Plug-In Port
Motor Voltage:	12 Volts DC
Wetted Parts Housing:	Polypropylene
Diaphragm:	Santoprene
Liquid Temperature:	130° F max.

GPM = Gallons Per Minute
 PSI = Pounds per Square Inch
 DC = Direct Current



CAUTION

PRESSURE SWITCH OPERATION

Pressure switch is pre-set at the factory. Improper adjustment of the pressure switch, may cause severe overload or premature failure. If the pump is subjected to rapid cycling during normal operation, or infrequent periods, damage may occur.

After Spraying

After use, fill the sprayer tank part way with water. Start the sprayer, and allow the clear water to be pumped through the plumbing system and out through the spray nozzles.

Refill the tank about half full with plain water and use FIMCO Tank Neutralizer and Cleaner, and repeat cleaning instructions above.

Flush the entire sprayer with the neutralizing/cleaning agent, then flush out one more time with plain water. Follow the chemical manufacturer's disposal instructions of all wash or rinsing water.

For the boom, (if applicable) remove the tips and screens from the nozzle assemblies. Wash these items out thoroughly. Blow the orifice clean and dry. If the orifice remains clogged, clean it with a fine bristle (NOT WIRE) brush, or with a toothpick. Do not damage the orifice. Water rinse and dry the tips before storing.

WARNING: Some chemicals will damage the pump valves if allowed to soak untreated for a length of time! ALWAYS flush the pump as instructed after each use.

Operation

Your sprayer is equipped with (1) ON/OFF switch. It is on the wire assembly that you hook up to your battery. The "I" is the "ON" position and the "O" is the "OFF" position for the switch. Make sure the switch is depressed in the "I" position for operation.

The pump is equipped with an electronic pressure switch that is factory pre-set for it to shut off at 60 p.s.i.. This switch assembly is the 'square box' on the head portion of the pump.

Always fill the tank with a desired amount of water first, and then add the chemical slowly, mixing as you pour the chemical into the tank. You may use the handgun to spray into the solution in order to mix the chemical and water.

Initially begin spraying by opening the handgun. This will enable the air in the line to be purged through the handgun tip, while building pressure. The pumping system draws solution from the tank, through the strainer/filter, and to the pump. The pump forces the solution under pressure to the handgun and/or boom nozzles.

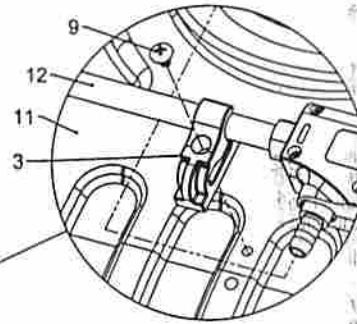
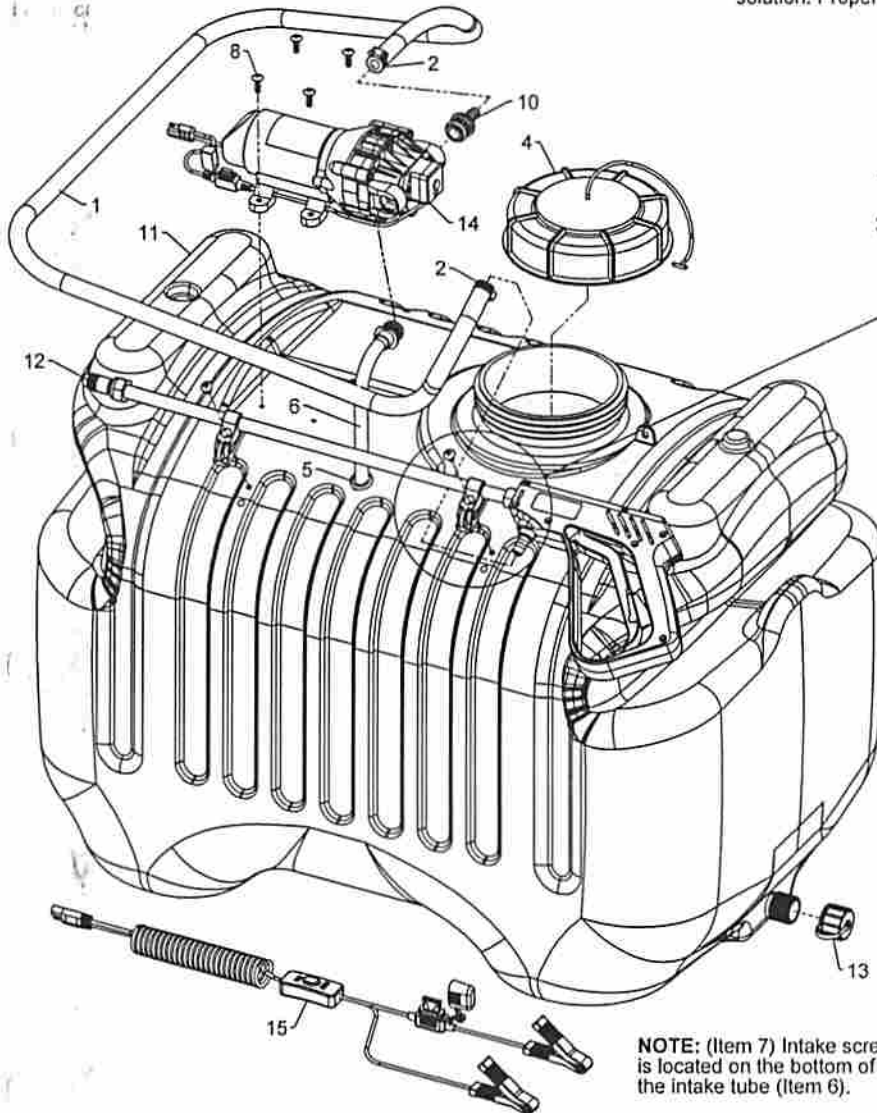
- Open the handgun by squeezing the handle lever.
- Rotating the adjustable nozzle tip on the handgun will change the tip pattern from a straight stream to a cone pattern (finer mist).

Winter Storage

Drain all water out of your sprayer, paying special attention to the pump, handgun, and valve(s). These items are especially prone to damage from chemicals and freezing weather.

The sprayer should be winterized before storage by pumping a solution of RV antifreeze through the entire plumbing system. This antifreeze solution should remain in the plumbing system during the winter months. When spring time comes and you are preparing your sprayer for the spray season, rinse the entire plumbing system out, clearing the lines of the antifreeze solution. Proper care and maintenance will prolong the life of your sprayer.

Exploded View/Parts List: LG-40-DLX (5302186)



DETAIL A

NOTE: (Item 7) Intake screen is located on the bottom of the intake tube (Item 6).

Item No	Part Number	Qty	Description
1	5020524	1	Hose, 3/8"-1 Brd. x 15 Ft.
2	5051144	2	Hose Clamp, 3/8"
3	5053112	2	Handgun Clip - Deluxe
4	5058188	1	Tank Lid w/Lanyard
5	5075018	1	Grommet
6	5100785	1	Intake Tube 90 Deg.w/Port & O-ring 21 1/2" Long
7	5116251	1	Strainer/ Suction Line
8	5117167	4	#10-24 x 5/8" Phillips Truss Head Machine Screw
9	5117293	2	Truss Head Machine Screw, #10-24 x 3/8"
10	5168836	1	Port Kit Fitting, 3/8" Hose Barb
11	5169296	1	40 Gallon Tank w/Top Mount Pump (White)
12	5273959	1	Deluxe Pistol-Grip Handgun w/X-26 Tip
13	5274373	1	Drain Plug Cap, Tether, and Washer Assembly
14	5277981	1	High Flo Gold Series 2.1 GPM Pump
15	5278018	1	Lead Wire Assembly w/15A Fuse & 30A Clips (96" Long)