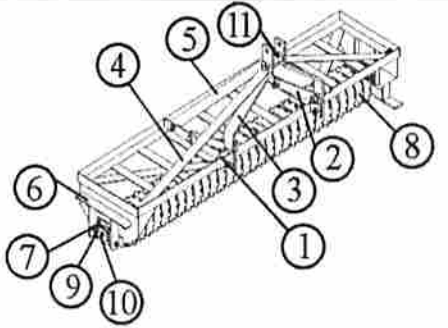


Parts Catalog

[Go Back](#)

KP-72 Parts Diagram



Items

- | No. | Part Number |
|-----|----------------------------------------------------------|
| 1 | <u>500001 LIFT PINS - CAT 1</u> |
| 2 | <u>360611 BRACE STRAP</u> |
| 3 | <u>360621 LIFT ARM .5in X 2.5in X 27.875in</u> |
| 4 | <u>360632 SIDE LIFT ARM BRACE</u> |
| 5 | <u>360622 LIFT ARM BRACE 0.875 in X 2 in X 29.125 in</u> |
| 6 | <u>401240 STAND</u> |
| 7 | <u>171025 BEARING KULTI-PACKER</u> |
| 8 | <u>171021 FLEXIBLE PIN</u> |
| 9 | <u>502700 AXLE CAP AND WHEEL SPACER PKG.</u> |
| 10 | <u>360633 ROLLER AXLE 1.75 DIA X 77.5</u> |
| 11 | <u>501070 3-PT. MULTIPACKER SPACER PKG.</u> |

