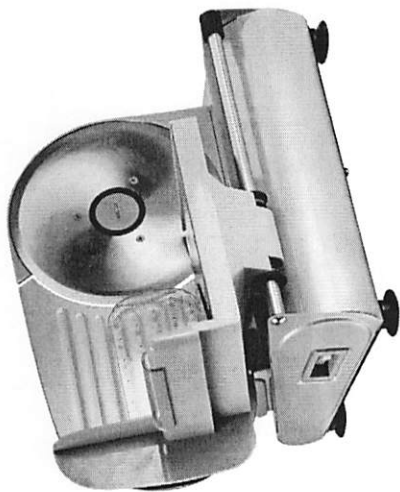




ELECTRIC SLICER



MS-106214



MS-106215



Read and understand all instructions before use. Retain this manual for future reference.

INSTRUCTION MANUAL

2014-01-10

ELECTRIC SLICER

IMPORTANT SAFEGUARDS

WARNING:

DAMAGE TO THE MOTOR. PLEASE REFER TO THE RATING LABEL FOR THE MAXIMUM CONTINUOUS USAGE TIME (10 MIN IS THE MAXIMUM USAGE TIME). DUTY CYCLE IS 10 MINUTES ON AND 30 MINUTES OFF. When using electrical appliances, basic precautions should always be followed, including the following:

1. READ ALL INSTRUCTIONS BEFORE USING.
 2. Check that your power supply corresponds with the appliance.
 3. Do not leave the appliance unsupervised when in use.
 4. Do not immerse the appliance in water or any other liquid for any reason.
 5. Before cleaning, always unplug the appliance from the power supply.
 6. This appliance is for household use only. Do not use outdoors.
 7. The use of attachments not recommended or sold by the manufacturer may cause fire, electric shock or injury.
 8. Do not move the appliance by pulling the cord. Do not wind or bend the cord.
 9. Make sure the appliance is set on a flat and level surface.
 10. Only cut articles such as cheese, (boned) meat, and bread. Never cut frozen food.
 11. Never cut food only by using your hands. Always use the slide and its food guide.
- CAUTION: DO NOT TOUCH THE BLADE.**
12. The blade of this appliance is extremely sharp, always be careful when cleaning the appliance.
 13. Keep this appliance clean at all times.
 14. Make sure the appliance is unplugged before disassembling or cleaning.
 15. Avoid contacting moving parts.
 16. Close supervision is necessary when any appliance is used by or near children.
 17. Do not operate any appliance with a damaged cord or plug or after the appliance malfunctions, or is dropped or damaged in any manner. Return appliance to the nearest authorized service facility for examination, repair, electrical or mechanical adjustment.
 18. Always attach plug to appliance and check that the control is OFF before plugging cord into wall outlet. To disconnect, turn the control to OFF, then remove plug from wall outlet.
 19. Do not place on or near a hot gas or electric burner or in a heated oven.

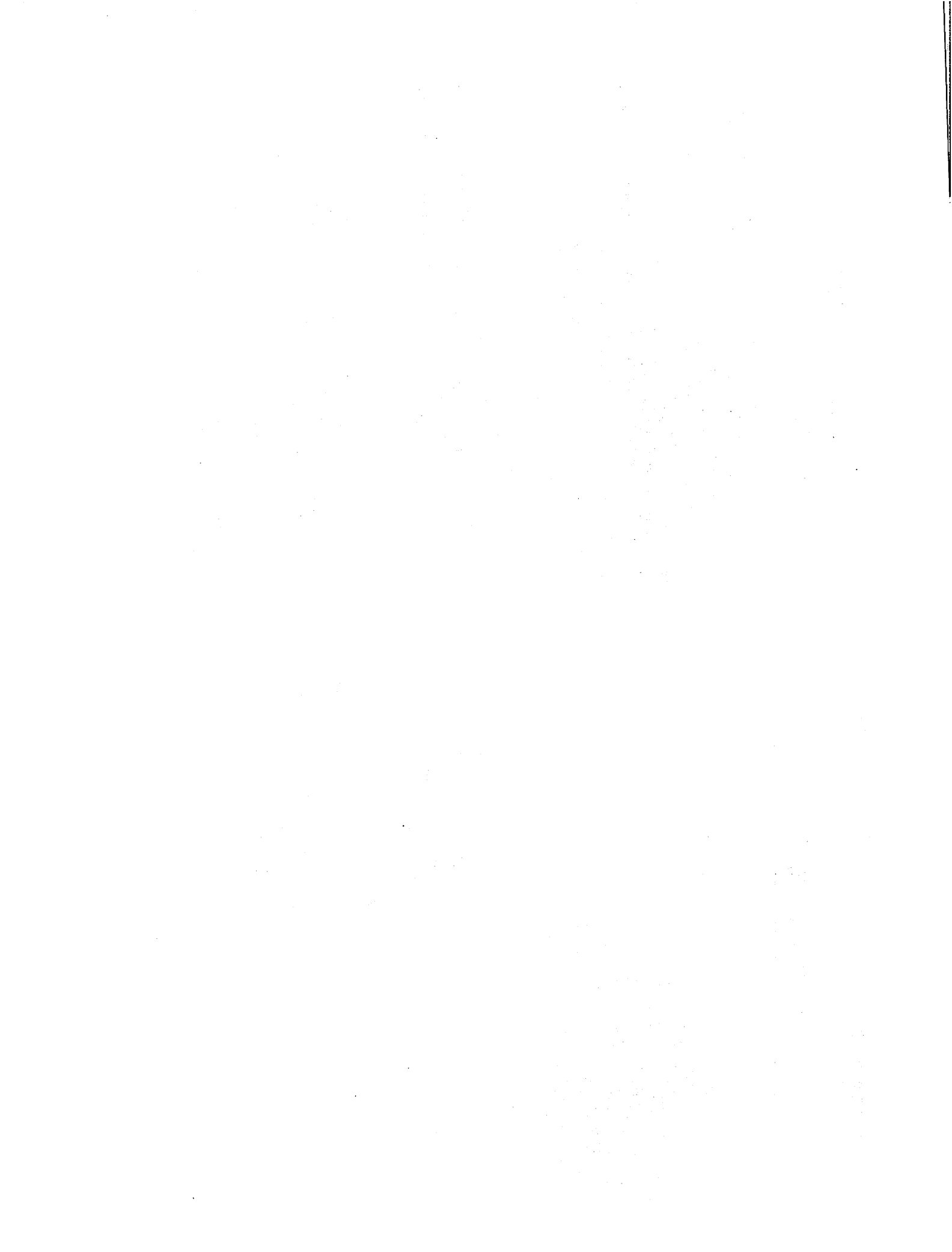
Notes on the Cord Plug

This appliance has a polarized plug. To reduce the risk of electric shock, this plug is intended to fit into a polarized outlet only in one way. If the plug does not fit fully into an electrical outlet, reverse the plug. If it still does not fit, contact a qualified electrician. Do not attempt to modify the plug in any way.

- A. A shorter power-supply cord (or detached power-supply cord) is provided to reduce the risk resulting from being entangled in or tripping over a longer cord.
- B. Longer detachable power-supply cords or extension cords are available and may be used if care is exercised in their use.
- C. If a long detachable power-supply cords or extension cord is used:
 1. The marked electrical rating of the detachable power-supply cord or extension cord should be at least equal or great than the electrical rating of the appliance.
 2. If the appliance is a grounded type, the extension cord should be a grounding-type 3-wire cord.
 3. The longer cord should be arranged so that it will not drape over the counter top or table top where it can be pulled on by children or tripped over.

WARNING:

To protect against electric shock, fire, and injury to person(s), do not immerse main cord, plug, or unit in water or any other liquid.



ELECTRIC SLICER

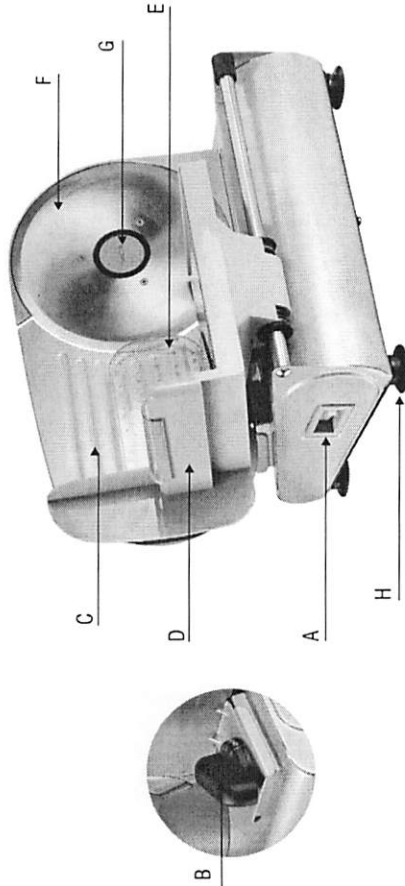


CAUTION: Do not use an extension cord with this appliance. If necessary, an extension cord must have compatible rating for power and voltage. Do not modify the plug and extension cord with this appliance; including 3 prong grounded plug.

PARTS AND FEATURES

COMPONENTS

- A) Switch
- B) Regulation Knob for slice thickness
- C) Support wing
- D) Carriage
- E) Food presser
- F) Blade
- G) Blade fixing pivot
- H) Feet with suction cup



SPECIFICATIONS:

Item#	Voltage Rating	Blade	Power Rating
MS-106214	120V-60Hz	7- 1/2 in. (19cm)	165W
MS-106215	120V-60Hz	9in. (22cm)	180W

BEFORE USE

This appliance is not for professional use. Failure to follow instructions carefully may damage the motor. Please refer to the rating label for the maximum continuous usage time (10 minutes is the maximum usage time). Duty cycle is 10 minutes on and 30 minutes off.

ELECTRIC SLICER

1. Carefully unpack the Meat Slicer and clean it as instructed in CARE AND MAINTENANCE.
2. Place the Meat Slicer on a stable and level surface for operation.
3. Make sure the Meat Slicer is in the OFF position.
4. Plug the power cord into an electrical outlet.

For safe use, this appliance is fitted with a thumb guard and pusher that will protect your hands. The platform allows you to make sliding motions along the blade for slicing food. Use the handle to make the slicing movement. Always use the pusher to hold the food in position when slicing.

OPERATING INSTRUCTIONS

- CAUTION:** For safety, this appliance is fitted with the platform including thumb guard and pusher that will protect your hands. The platform allows you to make motions along the blade to cut the slices. Use the handle to move the blade. The pusher allows you to hold the food in position while keeping your hands away from the blade. Always use the pusher.
1. Clean all parts of the appliance before its first use. The unit must be shut off and unplugged from the electrical outlet.
 2. Make sure the appliance is steady and place the pusher on the platform.
 3. After making sure that the unit is switched off, plug the cord in an electrical outlet.
 4. Place a plate or a dish below the blade to collect the slices.
 5. Free the platform from the blade and lay the food to be sliced on the stainless steel plate. 6. Using the pusher, push the food against the mobile side of the appliance and select the slicing thickness by turning the adjusting knob.
 7. Switch the Meat Slicer on; the blade will rotate and the indicator light will turn on.
 8. The use of the platform and the pusher will keep the pressure on the mobile side of the appliance. If it becomes difficult to slice the food, move backward and start the operation again by approaching the blade slowly.
 9. To avoid food sticking to the appliance, you can moisten or oil the blade with a wet towel beforehand. **MAKE SURE THE UNIT IS TURNED OFF AND UNPLUGGED.**
 10. Do not slice meat with bones, food with large seeds, rolled roast without removing: strings, wrappers (i.e. aluminum foil), frozen food, and hard inedible food parts.

CARE AND MAINTENANCE

1. The switch must be in the OFF position and the appliance **MUST** be unplugged from the power supply before cleaning the appliance.
2. Wipe the inside and outside of the appliance with paper towel or soft cloth. The appliance should not be washed in a dishwasher.
3. Do not clean the inside or outside with any abrasive scouring pad or steel wool as this will damage the finish.
4. Do not immerse the appliance in water or any other liquid.
5. Dry all parts well before putting away for storage.

