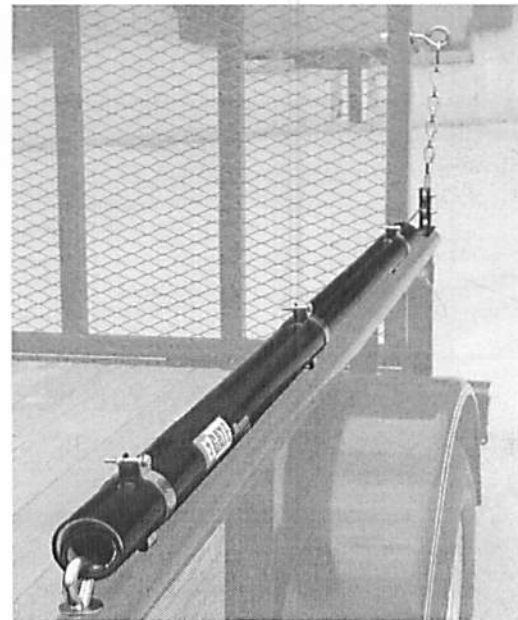


Installation Instructions

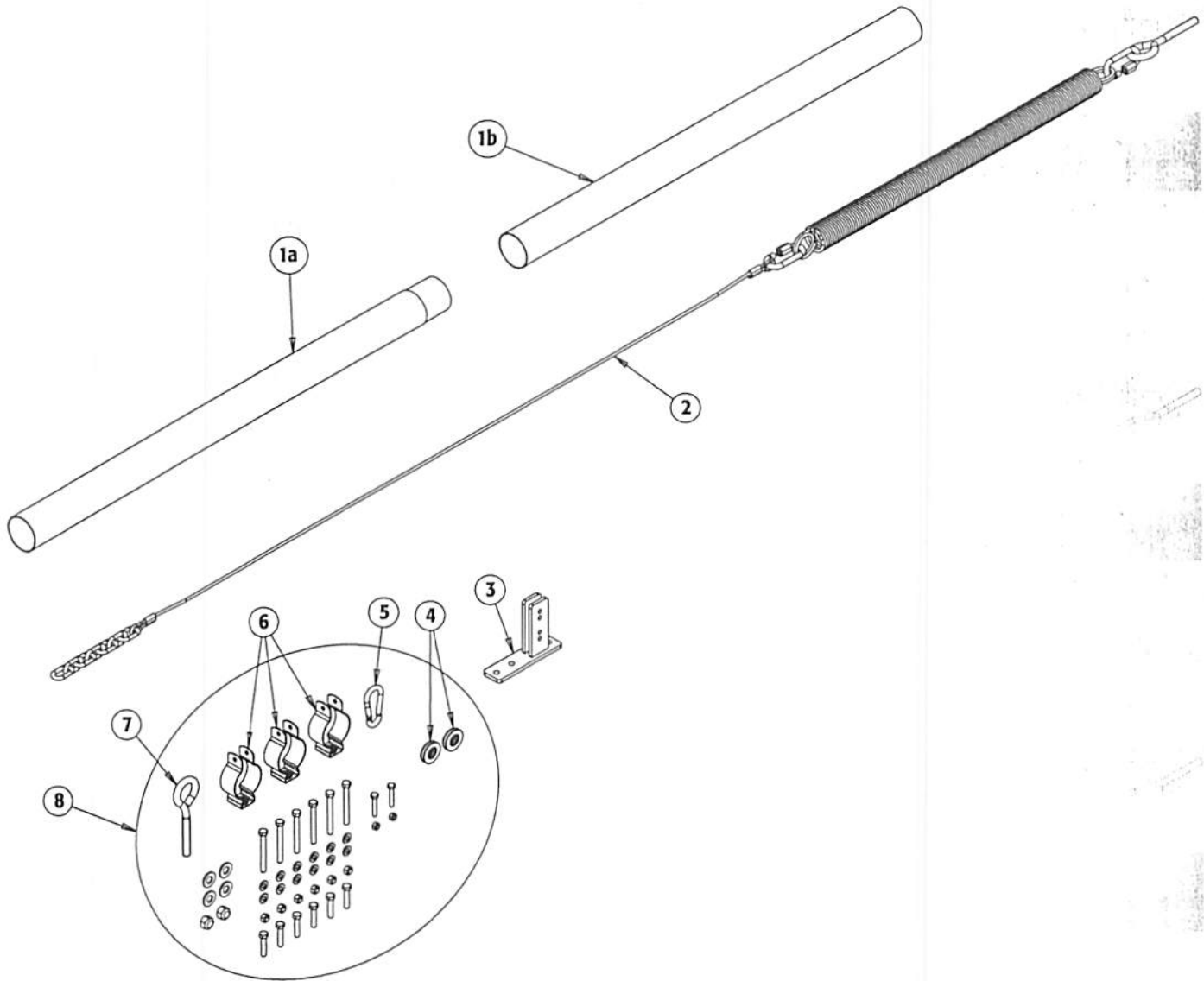
5201000 EZ Gate™ by Buyers: Trailer Tailgate Lift Assist

Patent #6,183,031

1. Mark the mounting locations
 - a. Measure 90" from the rear of the trailer top rail and drill one hole 1/2" in the center of the top rail. Every hole from this point on will be towards the rear of the trailer.
 - b. Measure back 6" from the 1/2" hole and drill one 5/16" hole centered in the top rail.
 - c. Measure back 30" from the 5/16" hole and drill another 5/16" hole; centered in the top rail.
 - d. Measure back again 30" from the second hole and drill a third and final 5/16" hole; centered in the top rail.
2. Mount the Housing Clamps to the three 5/16" holes. Be sure that square opening is toward the center of the trailer. Secure with a bolt and washer mounted down through each Clamp and rail then fasten with a lock nut.
3. Spread the Clamps wide enough to set the housing in place
4. Mount the Roller Bracket
 - a. Place the Roller Bracket flush with the rear of the top rail (short leg with single hole should face rear).
 - b. Use the holes in the bottom bracket to mark drilling positions in the rail; drill 5/16" holes there.
 - c. Mounted the Roller Bracket with bolts and washers so the locknuts are underneath the rails. **(NOTE: Longer bolts are provided for tubular side rails. If your trailer requires special lengths, you can purchase 5/16"-18, Grade 5 bolts of the required length from a local hardware store)**
5. Mount the Spring Assembly to the side rail by bolting the eyebolt end to the first hole you drilled (1/2"). **(NOTE: The open end of the eyebolt must face toward the front of the trailer.)**
6. Place the Spring Housing Assembly over the Spring Assembly until it is up against the eyebolt. **(NOTE: The end with the plastic insert must be toward the rear of the trailer.)**
7. Place the Spring Housing Tube over the Spring Assembly and against the Spring Housing Assembly so that the plastic insert is fully inside.
8. Make certain that the connection of the Spring Housing Assembly and Spring Housing Tube is at the center clamp and tighten all three clamps around the housing.



9. Mounting the other end of the Spring Assembly
 - a. Close and LOCK your tailgate in the "UP" or transport position.
 - b. If you have a 48" tailgate, measure down 15" from the high side and drill a 1/2" hole.
 - c. If you have a 60" tailgate, measure down 24" from the high side and drill a 1/2" hole.
 - d. If you have a 72" tailgate, measure down 34" from the high side and drill a 1/2" hole.
10. Install the loose Eyebolt in the tailgate using two washers and a locknut.
11. Insert the Bottom Roller Wheel into the Roller Assembly using a 1/4" bolt, two washers, and a locknut.
12. First, attach the Snap Hook to the end of the chain and then carefully stretch the spring assembly until it can be attached to the eyebolt in the tailgate.
 - a. Once connected, fully lower the tailgate and ensure that it lays on the ground and does not lift on its own.
13. While the tailgate is on the ground, install the Top Roller Wheel.
14. Lift and lower the tailgate to get a feel for how it operates with the EZ Gate installed. Moving the Snap Hook to different chain links can vary the tension if desired. **WARNING: Adjustment must ONLY be done when there is NO tension on the Roller Wheels. To achieve this, fully lower the tailgate, remove top roller wheel, raise tailgate, make the adjustment, lower the tailgate, reinstall the top roller wheel and verify adjustment is acceptable.**



Bill of Materials

ITEM	PART NO.	QTY.	DESCRIPTION
1a	3019872	1	Spring Housing Assembly
1b	3019869	1	Spring Housing Tube
2	3015510	1	Spring Assembly
3	3014998	1	Roller Bracket
4	3014999	2	Roller Wheels
5	3015002	1	Snap Hook
6	3015001	3	Housing Clamps
7	3015006	1	Eyebolt
8	3015113	1	Hardware Kit, Complete

WARRANTY

Buyers Products Co. warrants all truck/trailer hardware manufactured or distributed by it, to be free from defects in material and workmanship for a period of one year from date of shipment. Parts must be properly installed and used under normal conditions. Any product which has been altered, including modification, misuse, accident or lack of maintenance will not be considered under warranty. Normal wear is excluded. The sole responsibility of Buyers Products Co. under this warranty is limited to repairing or replacing any part or parts which are returned, prepaid, and are found to be defective by Buyers Products Co. Authorization from Buyers Products Co. must be obtained before returning any part. No charges for transportation or labor performed on Buyers' products will be allowed under this warranty.