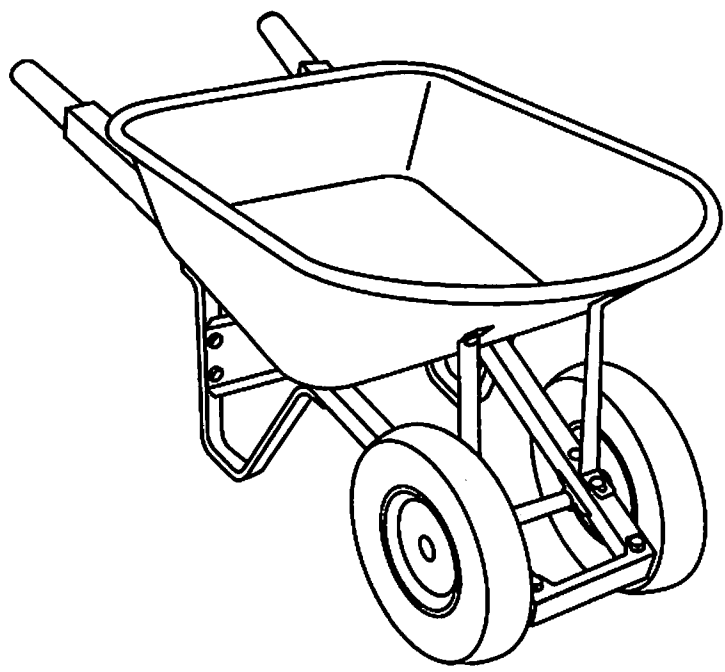


Asc 89231

# 10 Cubic Foot **Wheelbarrow**



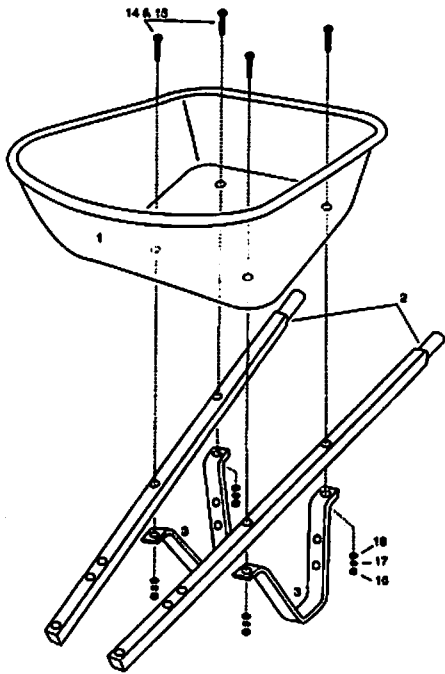
## IMPORTANT SAFETY INSTRUCTIONS

1. Read and understand all warning and instructions prior to using the wheelbarrow .
2. Always inspect the wheelbarrow for damage or excess wear prior to each use.
3. Never transport people using this wheelbarrow.
4. If any parts become damaged ,broken or misplaced , do not use wheelbarrow until replacement parts have been obtained .
5. Do not use wheelbarrow on surfaces that can cause damage to the pneumatic tires or tubes.
6. Keep these instructions for further reference.

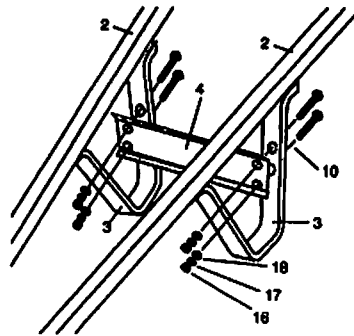
## PARTS & HARDWARE LIST

- |   |   |                        |
|---|---|------------------------|
| 1 Tray - (1)                                    | 11 M8x20mm Carriage Bolts - (2)<br>for tray braces    | 17 Lock Washers - (16) |
| 2 Handles - (2)                                 | 12 M8x70mm Carriage Bolts - (2)<br>for nose guard     | 18 Flat Washers - (16) |
| 3 Legs - (2)                                    | 13 M8x70mm Carriage Bolts - (4)<br>for axle mounts    | 19 Tire Washers - (2)  |
| 4 Leg Brace - (1)                               | 14 M8x75mm Carriage Bolts - (2)<br>for rear of tray   | 20 Cotter Pins - (2)   |
| 5 Axle Mounts - (2)                             | 15 M8x75mm Carriage Bolts - (2)<br>for middle of tray | 21 Tire Spacers - (2)  |
| 6 Axle - (1)                                    | 16 Hex Nuts - (16)                                    |                        |
| 7 Tray Braces - (2)                             |   |                        |
| 8 Nose Guard - (1)                              |   |                        |
| 9 16in Tires - (2)                              |   |                        |
| 10 M8x20mm Carriage Bolts- (4)<br>for leg brace |   |                        |

**Do not tighten nuts until you have completed assembly of all parts !**

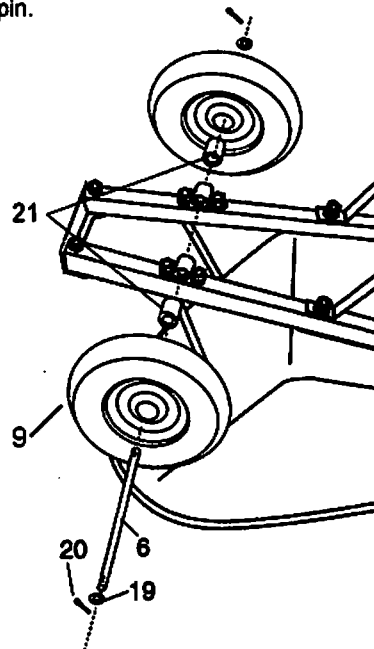
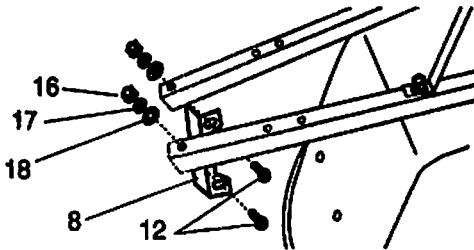


- STEP 1** Place both handles on sawhorses or similar stand to firmly support the wheelbarrow during assembly.
- STEP 2** Insert M8x75mm carriage bolts thru each hole in the bottom of the tray .Position the tray carriage bolts so the bolts align to go thru the handles.
- STEP 3** Attach the right and left legs onto each set of carriage bolts using washers ,lock washers and nuts. Finger-tighten only.
- STEP 4** Install the leg brace with M8x20mm carriage bolts,flat washers, lock washers and nuts at each of the brace.



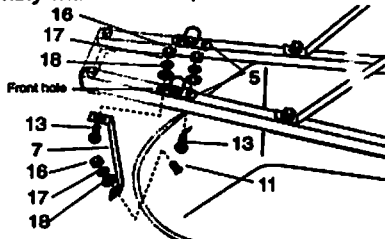
- STEP 5**  
Install nose guard with M8x70mm carriage bolts. Using only the front bolt holes in the handles first, install the bolts thru the nose guard into the handles. Place washer, lock washer and nut on each bolt and only finger-tighten..

- STEP 8**  
Slide axle thru both axle mounts ,centering axle to handles. Slide tire spacer over each end of the axle. Slide one tire over each end of the axle. Slide one tire washer over each end of axle and secure with cotter pin.



- STEP 6**  
Install tray braces to front holes in tray with M8x20mm carriage bolts,washers ,lock washers and nuts. Finger-tighten only.

- STEP 7**  
Insert four M8x70mm carriage bolts thru the holes in the top front of the handles.  
Note: Two of the bolts go thru the bottom holes of the tray support braces first. Install both axle mounts .Finger-tighten assembly with washers ,lock washers and nuts.



- STEP 9**  
Tighten all nuts securely with wrench.