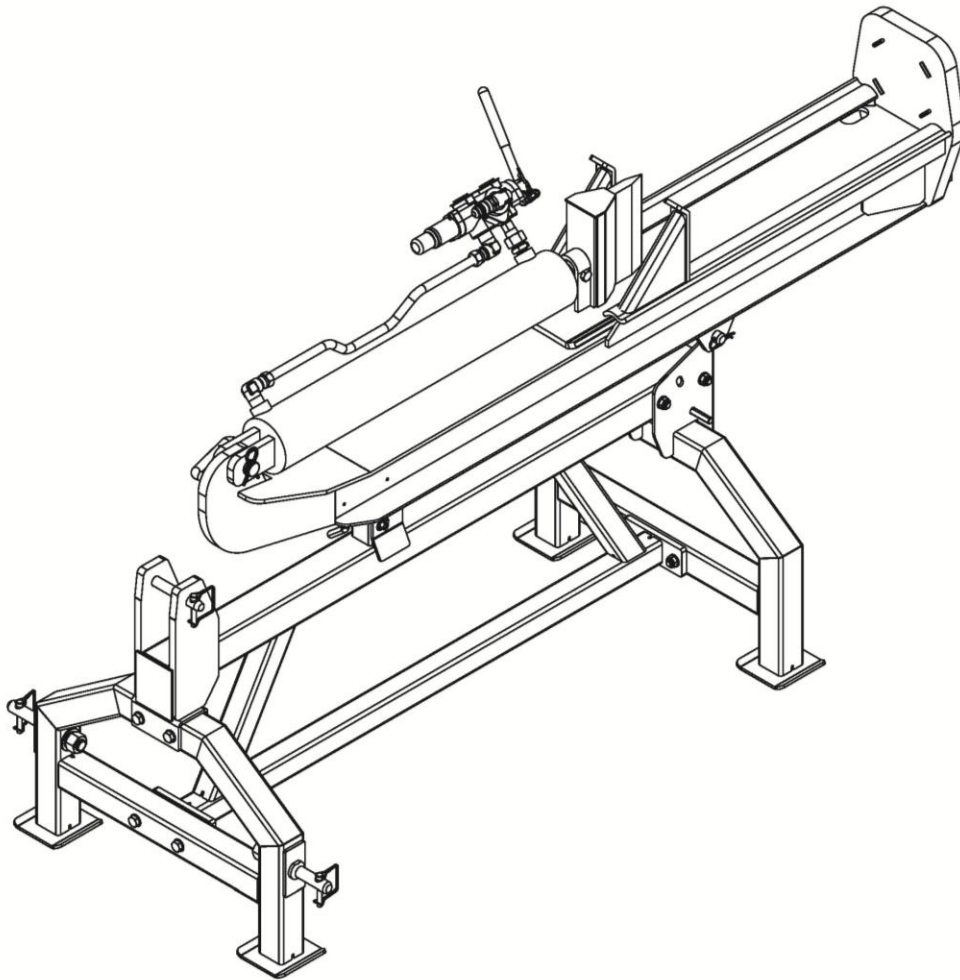


3 POINT HITCH 25 TON LOG SPLITTER



Instruction & Assembly

SAVE THESE INSTRUCTIONS FOR FUTURE REFERENCE

Table of Contents

| | |
|---|--------|
| General Warnings and Rules | 3 |
| Hazard Signal Word Definitions..... | 4 |
| Controls and Features Identification..... | 5 |
| Assembly Instructions | 6 |
| Splitting Force and Cycle Time..... | 7 |
| Operation Instructions | 7, 8 |
| Maintenance and Storage | 8 |
| Specifications | 9 |
| Parts Drawing & Parts List | 10, 11 |
| Limited Warranty | 12 |

GENERAL WARNINGS

READ and UNDERSTAND this manual completely before using 3PT Hitch 25 Ton Log Splitter.

Operator must read and understand all safety and warning information, operating instructions, maintenance and storage instructions before operating this equipment. Failure to properly operate and maintain the log splitter could result in serious injury to the operator or bystanders.

Operation Warnings

- Do not at any time have people, sit or stand on the log splitter.
- Do not allow children to play on, stand upon or climb on the log splitter.
- Never carry any cargo or wood on your log splitter
- Always inspect the log splitter before using to assure it is in good working condition.
- Replace or repair damaged or worn parts immediately.
- Check for hydraulic fluid leaks by passing a piece of paper or cardboard underneath or over the area of the leak. **Do not check for leaks with your hand.**
- Always check and tighten hardware and assembled parts before operation.
- Do not adjust the hydraulic valve. The pressure relief valve on the log splitter is preset at the factory. Only a qualified service technician should perform this adjustment.
- Do not exceed equipment maximum load capacity of 25 tons.
- Do not alter the log splitter in any manner. Any alteration will void the warranty and could cause the log splitter to be unsafe to operate.
- Always operate the log splitter on clear and level ground.
- Do not operate the log splitter at night, only during daylight hours.

Crush and Cut Hazards

- Always keep hands and feet clear from moving parts while operating the equipment.
- Always clear and keep work area clean and free of debris when operating.
- Always wear safety gear, eye protection, gloves and work boots when operating the log splitter.






WARNING

The warnings, cautions, and instructions outlined in this instruction manual cannot cover all possible conditions or situations that may occur. It must be understood by the operator that common sense and caution are factors which cannot be built into this product and must be supplied by the operator.

Assembly Is Required

This product requires assembly before use. See "Assembly" section for instructions. Because of the weight and/or size of the log splitter, it is recommended that another adult be present to assist with the assembly. **INSPECT ALL COMPONENTS** closely upon receipt to make sure no components are missing or damaged.

Hazard Signal Word Definitions

| | |
|---|---|
|  | <p>This is the safety alert symbol. It is used to alert you to potential personal injury hazards. Obey all safety messages that follow this symbol to avoid possible injury or death.</p> |
|  | <p>DANGER indicates an imminently hazardous situation which, if not avoided, will result in death or serious injury.</p> |
|  | <p>WARNING indicates a potentially hazardous situation which, if not avoided, could result in death or serious injury.</p> |
|  | <p>CAUTION indicates a potentially hazardous situation which, if not avoided, may result in minor or moderate injury.</p> |
|  | <p>CAUTION used without the safety alert symbol indicates a potentially hazardous situation which, if not avoided, may result in property damage.</p> |

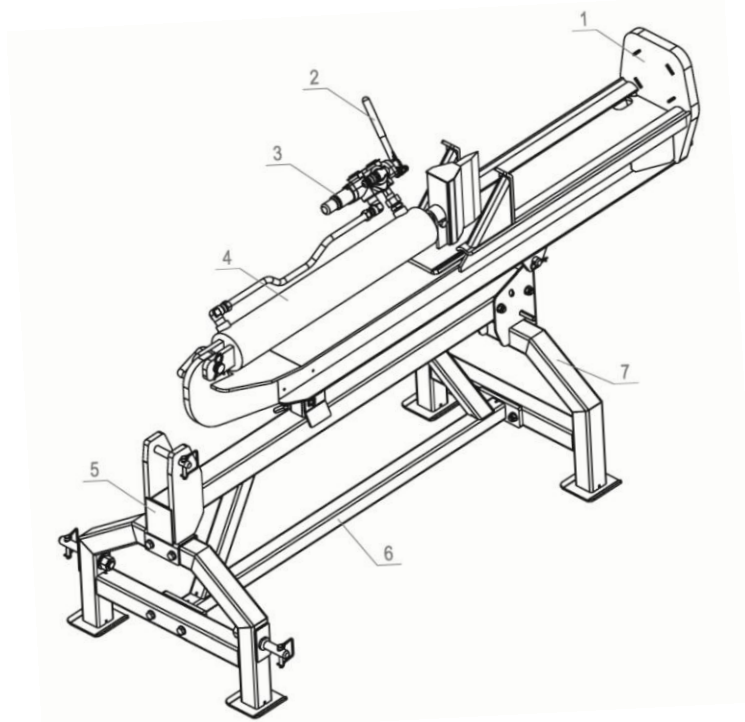
ABOUT YOUR 3PT 25 TON LOG SPLITTER

This hydraulic log splitter has a heavy-duty steel construction and up to 25 tons of ram force. The splitter is designed to work in both the horizontal and vertical position. When there's work to be done, you need outdoor power equipment you can rely on, this 3 point hitch log splitter will get the job done fast. Never exceed the rated capacity of 25 tons when operating the log splitter.

Technical specifications on the log splitter are provided in the "Specifications" section of this manual.

Controls and Features Identification

Read this owner's manual before operating the equipment. Familiarize yourself with the location and function of the controls and features. Save this manual for future reference.



- 1) **Beam**
- 2) **Handle**
- 3) **Control Valve**
- 4) **Cylinder**
- 5) **Rear Support Leg**
- 6) **Main Cross Beam**
- 7) **Front Support Leg**



Inspect all Log Splitter Components.

If you have damaged components: Contact the freight company that delivered the log splitter and file a claim.

3 PT HITCH 25 TON LOG SPLITTER ASSEMBLY

Set the shipping crate on a solid flat surface and carefully remove the lid. Use two people and take all parts out of the shipping crate and inspect the components to ensure there are no missing pieces before starting to assemble the log splitter follow steps 1 through 2.

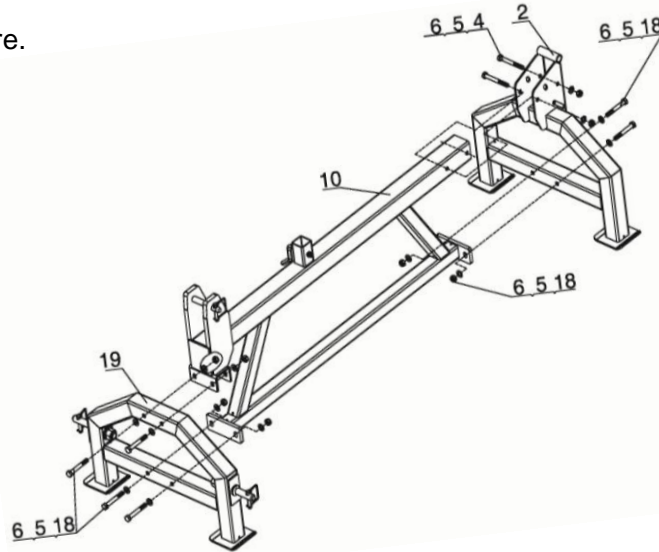
TOOLS REQUIRED

- 18mm, 19mm Wrenches
- Wood Hammer

Assembly Instructions

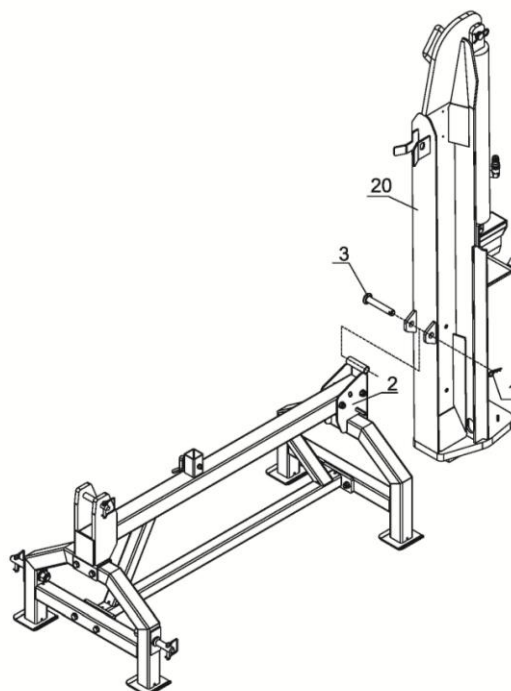
STEP 1: Attach Support Legs

1. Attach front support leg (#2) to the main cross beam (#10) using hex bolt M12x100 (#4), flat washer Ø12 (#5) and nylon lock nut M12 (#6), loosely tighten the nut.
2. On the other side of the main cross beam (10) attach the rear support leg (#19) using hex bolt M12x90 (#18), flat washer Ø12 (#5) and nylon lock nut M12 (#6), loosely tighten the nut.
3. Connect the front support leg (#2) and rear support leg (#19) to the bottom of the main cross beam (10) using hex bolt M12x90 (#18), flat washer Ø12 (#5) and nylon lock nut M12 (#6), tighten all the nuts.
4. Tighten all hardware.



STEP 2: Attach Beam Assembly

1. Attach the beam assembly (#20) to the front support leg (#2) with the hitch pin (#3) and R-Pin (#1), lower beam and secure with safety pin (#11).



Splitting Force and Cycle Time

WARNING

Splitting force is determined by cylinder size and the tractor PSI. The cycle time depends on the cylinder size and GPM's that the tractor produces. Tractor should ideally produce 8-15 GPM at 1500 to 2500 PSI.

Do not exceed 3200 PSI. See tables below for approximate splitting force and cycle time calculations. The 3-Point Log Splitter is designed for tractors with pressure ratings that are under 3200psi. Exceeding the recommended pressure rating will void the warranty and damage the equipment.

SPLITTING FORCE IN TONS

| Cylinder Dia. | 1000 PSI | 1500 PSI | 2000 PSI | 2500 PSI | 3000 PSI | 3500 PSI |
|---------------|----------|----------|----------|----------|----------|----------|
| 3" | 3.5 | 5.3 | 7.1 | 8.8 | 10.6 | 12.4 |
| 3.5" | 4.8 | 7.2 | 9.6 | 12 | 14.4 | 16.8 |
| 4" | 6.3 | 9.4 | 12.6 | 15.7 | 18.8 | 22 |
| 4.25" | 7.1 | 10.6 | 14.2 | 17.7 | 21.3 | 24.8 |
| 4.5" | 7.9 | 11.9 | 15.9 | 19.9 | 23.9 | 27.8 |
| 5" | 9.8 | 14.7 | 19.6 | 24.5 | 29.5 | 34.4 |

CYCLE TIME IN SECONDS

| Cylinder Size | 5 GPM | 10 GPM | 15 GPM | 20 GPM | 25 GPM |
|---------------|-------|--------|--------|--------|--------|
| 3" x 24" | 15.3 | 7.6 | 5.1 | 3.8 | 3.2 |
| 3.5" x 24" | 21.7 | 10.8 | 7.2 | 5.4 | 4.4 |
| 4" x 24.5" | 28.1 | 14 | 9.2 | 7.1 | 5.6 |
| 4.25" x 24.5" | 32.3 | 16.1 | 10.7 | 8.1 | 6.4 |
| 4.5" x 24.5" | 36.3 | 18.1 | 12.1 | 9 | 7.1 |
| 5" x 24.5" | 44.8 | 22 | 14.8 | 11 | 8.9 |

Operation Instructions

WARNING

Read and understand the operating procedures before using this product! Failure to comprehend and comply with warnings, cautions and instructions could result in serious injury or death. Operation of power equipment can be dangerous. It is the sole responsibility of the operator to understand the assembly and safe operation of this product.

1. Set up the log splitter in a clear, level area.
2. Place a log on the beam against the foot plate. Make sure the log is securely up against foot plate.
3. Depress the valve handle so that the cylinder will drive the wedge into the log. Extend the cylinder until the log splits or to the end of its stroke. If the log has not completely split after the cylinder has reached the end of its extension, retract the cylinder.

IMPORTANT: Leaving the valve in the “actuate” position at the end of the stroke may damage the pump. Always use extra care when splitting logs with unsquared ends.

IMPORTANT: To extend the life of the hydraulic cylinder, avoid “bottoming out” the wedge plate to the foot piece. To conform with industry safety standards the wedge stops 2 inches from the end of the stroke.

The log splitter can easily be rotated from horizontal to vertical operating position by removing and replacing the lynch pin. Make sure the lynch pin is fully engaged and secure.

WARNING: Tilt slowly. Do not move from vertical to horizontal operating position until the support frame legs are in a secure position. Tractor lift arms could fall resulting in serious injury.

Maintenance and Storage



WARNING

Improper maintenance and storage of the log splitter may void your warranty.

MAINTENANCE

1. With normal use the log splitter will not require any regular maintenance other than checking for loose bolts and the inspection of hoses and fittings.
2. If the wedge becomes dull or nicked, it can be removed and sharpened. Remove the 1/2 in. diameter bolt that connects the wedge to the cylinder. The hose from the valve may need to be removed. While the log splitter is in the horizontal position, loosen the hose clamp and disconnect the hose from the valve. Carefully lift the cylinder to allow the wedge to slide forward. The wedge can now be lifted off and sharpened.
4. All replacement parts must meet manufacturer’s specifications.

| What | When | How |
|--------------------|----------|--|
| Hoses | Each Use | Inspect hoses for exposed wire mesh and leaks. Replace all worn or damaged hoses before using. |
| Hydraulic Fittings | Each Use | Inspect fittings for cracks and leaks. Replace all damaged fittings before using. |
| Nuts and Bolts | Each Use | Check for loose bolts, tighten before operating. |
| Beam | Each Use | Apply grease to beam surface. |
| Moving Parts | Each Use | Clear debris from log splitter. |

IMPORTANT:

If a part needs replacement, only use parts that meet the manufacturer’s specifications. Replacement parts that do not meet specifications may result in a safety hazard or poor operations.

STORAGE

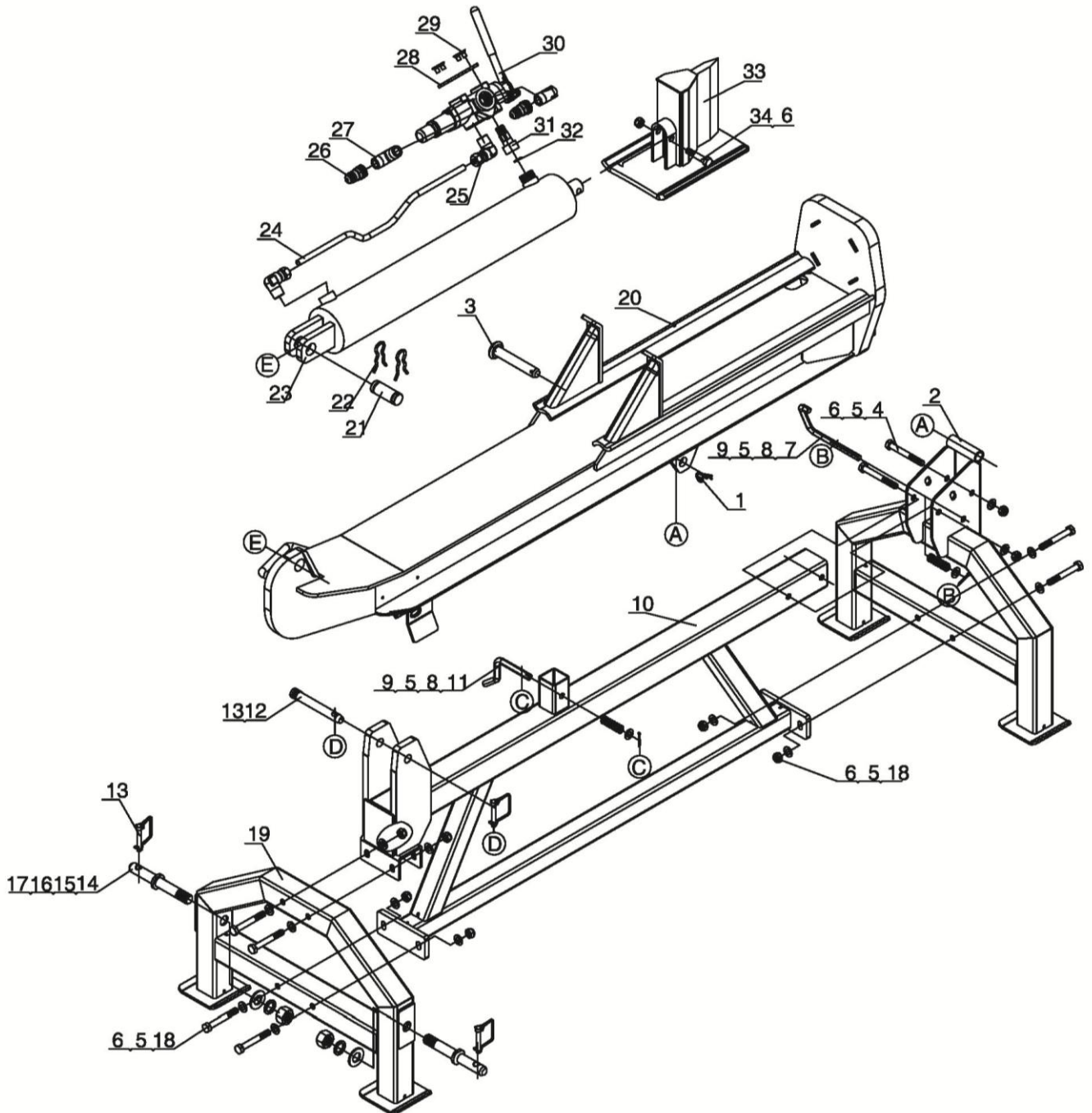
- Before storing make sure the log splitter is clean and dry for years of trouble free service.
- Lightly lubricate all log splitter surfaces and moving parts to prevent rust.
- Store indoors or protected area during severe weather and winter months.

Specifications

| | |
|---------------------|-------------------------|
| Ram Force: | 19-25 Tons (*) |
| Tractor Categories: | CAT 1 & CAT 2 |
| Hitch Tractor: | 3 Point |
| Cycle Time: | 11.5 – 15 Sec |
| Harden Steel Wedge: | 8" |
| Max. Log Length: | 26" |
| Hydraulic Cylinder: | 4.13" x 24.5" |
| Max. Pressure: | 3200 PSI |
| Valve: | Auto Return |
| Warranty: | 3 Year / 1 Year Limited |

(*) Ram Force depends on Tractor and Cylinder Diameter. (Reference charts on previous page)
Splitting Force is determined by cylinder size and tractor PSI. Cycle Time is determined by cylinder size and GPM produced by tractor. Ideally tractor should produce 8 - 15 GPM at 1500 to 2500 PSI. Do not exceed 3200 PSI, exceeding 3200 PSI will overstress log splitter mechanism and void warranty.

Parts Drawing & Parts List



Parts Drawing & Parts List

| Ref# | Drawing No. | Description | Qty |
|------|------------------|-----------------------|-----|
| 1 | LSP25-00012-DX | R Pin | 1 |
| 2 | LTS25-01000 | Front Support Leg | 1 |
| 3 | LSP25-05000-DX | Hitch Pin | 1 |
| 4 | 9101-12100-DX8.8 | Hex Bolt 12x100 | 2 |
| 5 | 9301-12000-DX | Flat Washer Ø12 | 16 |
| 6 | 9206-12000-DX | Nylon Lock Nut M12 | 9 |
| 7 | LSP25-00006-DX | Safety Pin A | 1 |
| 8 | LSP25-00003-DX | Spring | 2 |
| 9 | 9404-03030-DX | Cotter Pin 3x30 | 2 |
| 10 | LTS25-03000 | Main Cross Beam | 1 |
| 11 | LSP25-00008-DX | Safety Pin B | 1 |
| 12 | LTS25-00001-DX | Suspension Pin V | 1 |
| 13 | T680-20000-DX | Lock Pin | 3 |
| 14 | LTS25-00002-DX | Suspension Pin VI | 2 |
| 15 | 9301-22000-DX | Flat Washer Ø22 | 2 |
| 16 | 9306-22000-DX | Lock Washer Ø22 | 2 |
| 17 | 9201-22000-DX | Hex Nut M22 | 2 |
| 18 | 9101-12090-DX8.8 | Hex Bolt M12x90 | 6 |
| 19 | LTS25-02000 | Rear Support Leg | 1 |
| 20 | LSP25B-01000 | Beam | 1 |
| 21 | LSP25-00004-DX | Cylinder Pin | 1 |
| 22 | LSP25-00005-DX | R Pin | 2 |
| 23 | LSP25A-08000 | Cylinder | 1 |
| 24 | LSP25-00001-DX | Metal Tube | 1 |
| 25 | LSP25-06000 | Connector | 2 |
| 26 | N801-00005-CD | Quick Connector | 2 |
| 27 | LST25-00003-DX | Right Angle Connector | 2 |
| 28 | N29W-00001 | Plate | 1 |
| 29 | 9110-08010-DX | Screw M8x10 | 4 |
| 30 | M1V24A-00001 | Control Valve | 1 |
| 31 | LSP25-17000-DX | Combination Connector | 1 |
| 32 | 9901-15.2*2.4 | O Ring | 1 |
| 33 | LSP25B-02000 | Wedge | 1 |
| 34 | 9101-12065-DX8.8 | Hex Bolt M12x65 | 1 |

Limited Warranty

Warranty

For 3 years from the date of purchase YTL International will replace or repair defects in material and workmanship for the original purchaser of the log splitter. For 1 year from date of purchase YTL International will repair or replace hydraulic system components. The warranty will not apply to any unit which was not assembled correctly, misused, overloaded or which has been used or operated contrary to our instructions, or which has been repaired or altered by anyone other than a service representative authorized by YTL International Inc.

Warranty Exclusions

This warranty does not cover cosmetic defects such as paint, decals or wear items such as tires. This warranty will not cover failures or problems due to acts of God, or events or forces beyond the control of the manufacturer.

Normal Wear Exclusion

The log splitter needs periodic service to perform well. This warranty does not cover repair when normal use has exhausted the life of a part or the equipment as a whole.

Installation, Use and Maintenance Exclusion

This warranty will not apply to parts and/or labor if the log splitter has been misused, neglected, involved in an accident, abused, loaded beyond its limits, modified or assembled incorrectly. Normal maintenance is not covered under this warranty.

Limits of Implied Warranty and Consequential Damage Exclusion

YTL International disclaims any obligation to cover any loss of time, use of this product, freight, or any incidental or consequential claim by anyone from using this log splitter. THIS WARRANTY IS IN LIEU OF ALL OTHER WARRANTIES, EXPRESS OR IMPLIED, INCLUDING WARRANTIES OF MERCHANTABILITY OR FITNESS FOR A PARTICULAR.

An exchange unit will be subject to the original warranty. The length of the warranty governing the exchanged unit will have the date as the purchase date of the original unit. This warranty gives you certain legal rights which may change from state to state. Your state may also have other rights you may be entitled to that are not listed within this warranty.

Contact Information

YTL International Inc.
17517 Fabrica Way, Suite J
Cerritos, CA 90703
Phone: (888) 723-6534
Phone: (562) 404-8016
Fax: (562) 404-8013
Email: parts@ytlinternational.com
Website: www.ytlinternational.com

Warranty & Customer Support Questions

Phone: (800) 232-7162